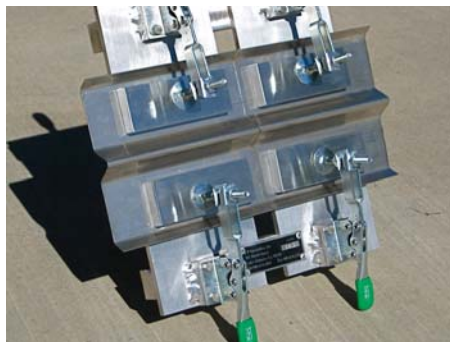
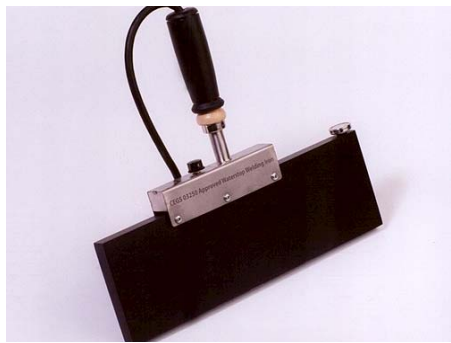
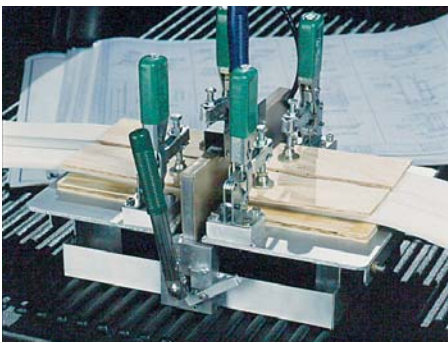


**WATERSTOP WELDING TOOLS**

and related accessories for

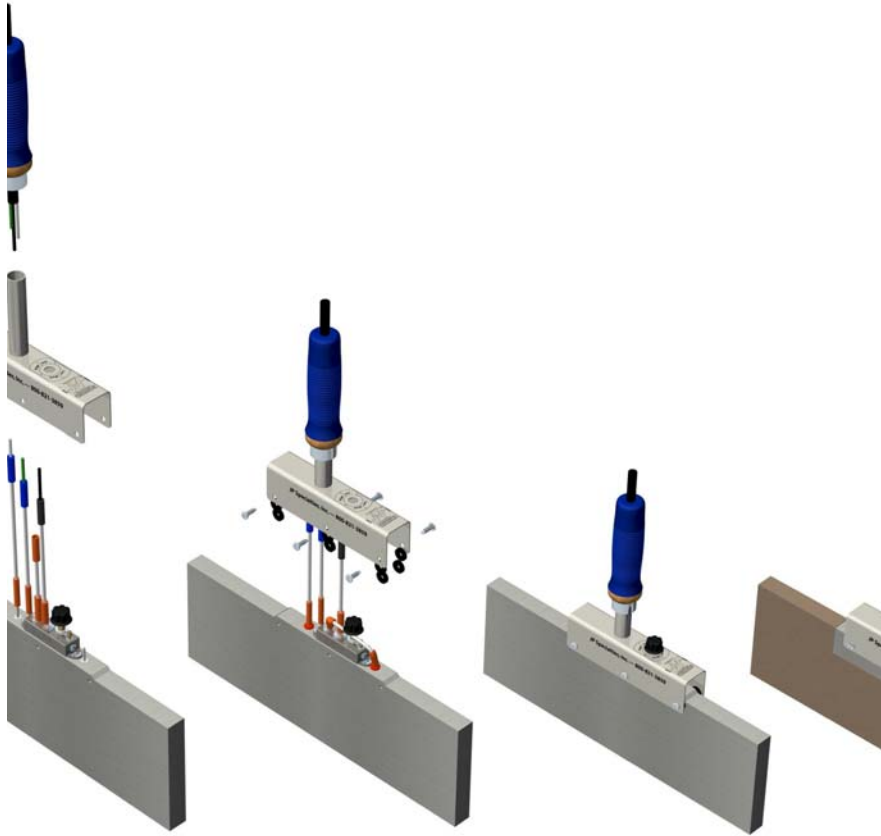
**WATERSTOP INSTALLATION**

[www.jp-specialties.com](http://www.jp-specialties.com) • 800-821-3859

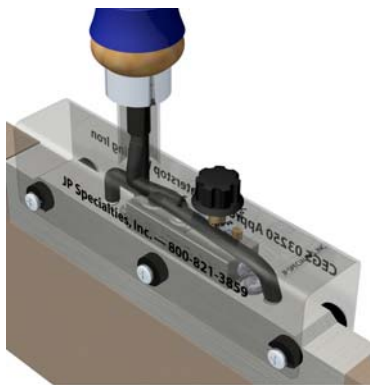
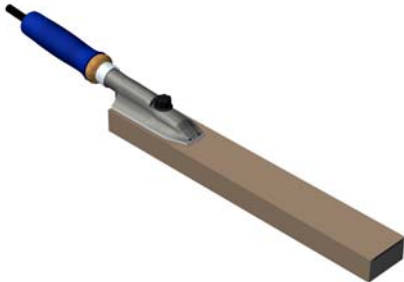


# JPS STANDARD WATERSTOP SPLICING IRONS AND PEEL AND STICK TEFLON® COVERS

JPS Standard Irons are specifically designed for welding waterstops and other thermoplastic extruded profiles (expansion joints, seals, etc.). The temperature control can be adjusted from 250°F to 500°F to accommodate various ambient conditions and different polymers. All JPS Standard Irons are constructed with the highest quality components.



- ✓ Peel and Stick Teflon® Cover included
- ✓ Heavy-duty vinyl grip and wood handle
- ✓ 8-foot, CSA & UL certified, outdoor use power cable
- ✓ Adjustable temperature with "Off" position



### SMALL WATERSTOP SPLICING IRON

Our most popular waterstop splicing iron. The JP214 is small and lightweight, and capable of welding all but the largest waterstop profiles.

**12214 part number** 110 volts 1"x2"x14"  
**12415 part number** 220 volts 1"x2"x14"

### LARGE WATERSTOP SPLICING IRONS

Large waterstop irons for large profiles.

**12414 part number** 110 volts .75"x4.5"x14"  
**12415 part number** 220 volts .75"x4.5"x14"  
**12614 part number** 110 volts .75"x6"x14"  
**12615 part number** 220 volts .75"x6"x14"  
**12620 part number** 110 volts .75"x6"x20"  
**12621 part number** 220 volts .75"x6"x20"  
**12919 part number** 110 volts .75"x9"x9"

### PEEL AND STICK TEFLON® COVERS

We factory cut our high-quality Teflon® replacement covers, so all you have to do is peel off the release paper and adhere it to the warm iron. No trimming is required.

**12213 part number** fits JP214 iron  
**12413 part number** fits JP614 iron  
**12613 part number** fits JP614 iron  
**12619 part number** fits JP620 iron  
**12918 part number** fits JP919 iron

## JPS PRO SERIES WATERSTOP SPLICING IRONS

Designed for the waterstop pro! Our Pro Series irons feature all the same attributes as our regular irons plus built-in thermometer, temperature control knob, outdoor-use power cord (UL and CSA approved), ergonomic vinyl grip, sealed elements, and a Silverstone coating that doesn't require covers.

- ✔ Built-in analog thermometer
- ✔ Sealed end caps (meets EU Standards)
- ✔ Silverstone-coated — No Teflon® covers required
- ✔ Better, ergonomic handgrip
- ✔ 8-foot, CSA & UL certified, outdoor use power cord
- ✔ Meets CEGS 03250 requirements

**12216 part number** 110 volts  
1"x2"x14"

**12217 part number** 110 volts  
1"x2"x14"

**12416 part number** 110 volts  
.75"x4.5"x14"

**12417 part number** 220 volts  
.75"x4.5"x14"



# JPS PRO SERIES

## JPS WATERSTOP TOOLS AND INSTALLATION ACCESSORIES



### ELECTROTEST SPARK TESTER

The ElectroTest is a portable, high frequency generator used for the detection of pinholes in field welds of waterstop.

**11110 part number** 110 volts

**11112 part number** 220 volts



### WATERSTOP HOG RING PLIERS

A durable, lightweight tool with unique torsion spring for ease of use and set screw to ensure perfect hog ring closure every time.

**11100 part number**



### WATERSTOP HOG RINGS

Copper-clad, hill-shaped, size #3 hog rings fits every [Earth Shield® TPV Waterstop](#) profiles (as well as most other brands) with equal ease. Used to lash waterstop to the reinforcing steel during installation.

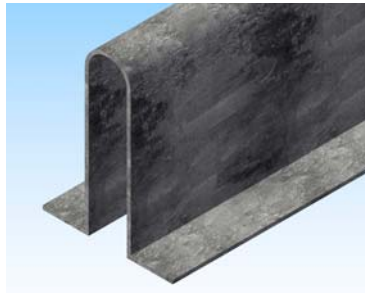
**11101 part number**



### FACTORY INSTALLED EYELETS

Secure your waterstop 12" on-center with factory-installed brass eyelets. Eliminates all of the labor associated with hog rings.

**EY part number** prefix [existing waterstop part numbers](#) (e.g. JP636 becomes EYJP636)

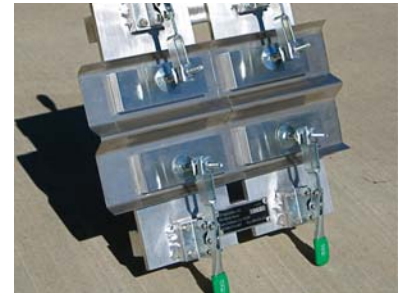


### WATERSTOP PROTECTOR

Waterstop Protector is used to protect embedded waterstop for extended periods of time. Fits most [waterstop profiles](#).

Constructed with heavy-duty, 20 gauge, electro-galvanized steel. Other grades, gauges, and metals are available, including for CH2M Hill specification.

**2055EG part number**



### STAINLESS STEEL WATERSTOP WELDING JIG

Our stainless steel waterstop welding jig is designed to perfectly align the straight lengths of [Earth Shield® Stainless Steel Waterstop](#) for field fabrication. Includes copper cool bar for heat sink.

**12015 part number**



### CONDRIVE 1000 TAPCON® TOOL

Used for installing Tapcon® fasteners with various [Earth Shield® Retrofit Waterstop Systems](#).

**11120 part number**



### MIXRITE JR EPOXY MIXING PADDLE

The perfect paddle for mixing VEN 500 and 1000 Novolac Epoxies by Earth Shield®. Fits standard drill and one gallon bucket.

**part number 16250**

Density, g/cc ASTM-D782A-2	0.90	
Notched Izod Impact (FT-lbs/in.) ASTM-D256-A @ 70 degrees F	3.0	
Tensile Strength at Yield (psi units) ASTM-D638 2in/min.	4000	
Elongation at yield (%)	10	
Deflection Temp. degrees F 66psi	194	
Water Absorption - 24 hrs, % ASTM-D570	0.02	
Falling Weight Impact Strength @ -29degree F (ft.lbs.)	23	
Coefficient of Linear Thermal Expansion	-30 degrees C to 0 degrees C	12
Coefficient of Linear Thermal Expansion	0 degrees C to 30 degrees C	14

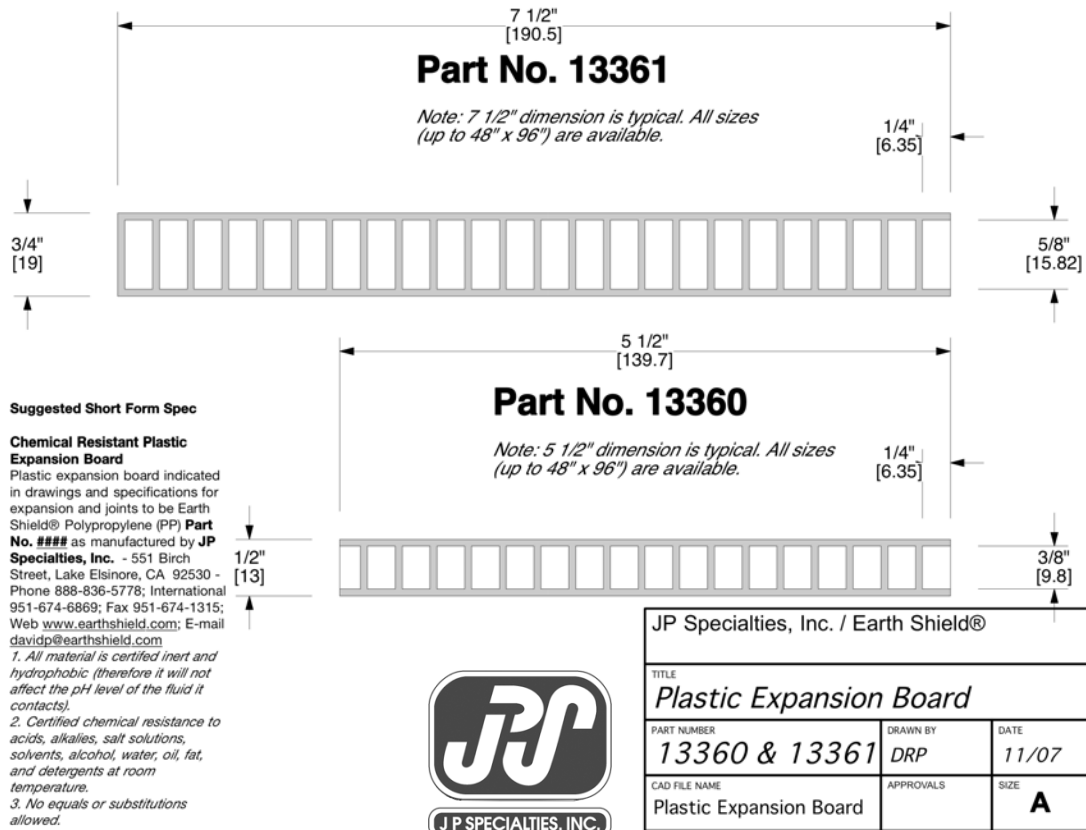
## PLASTIC JOINT FORMER

### EXPANSION JOINT FILLER

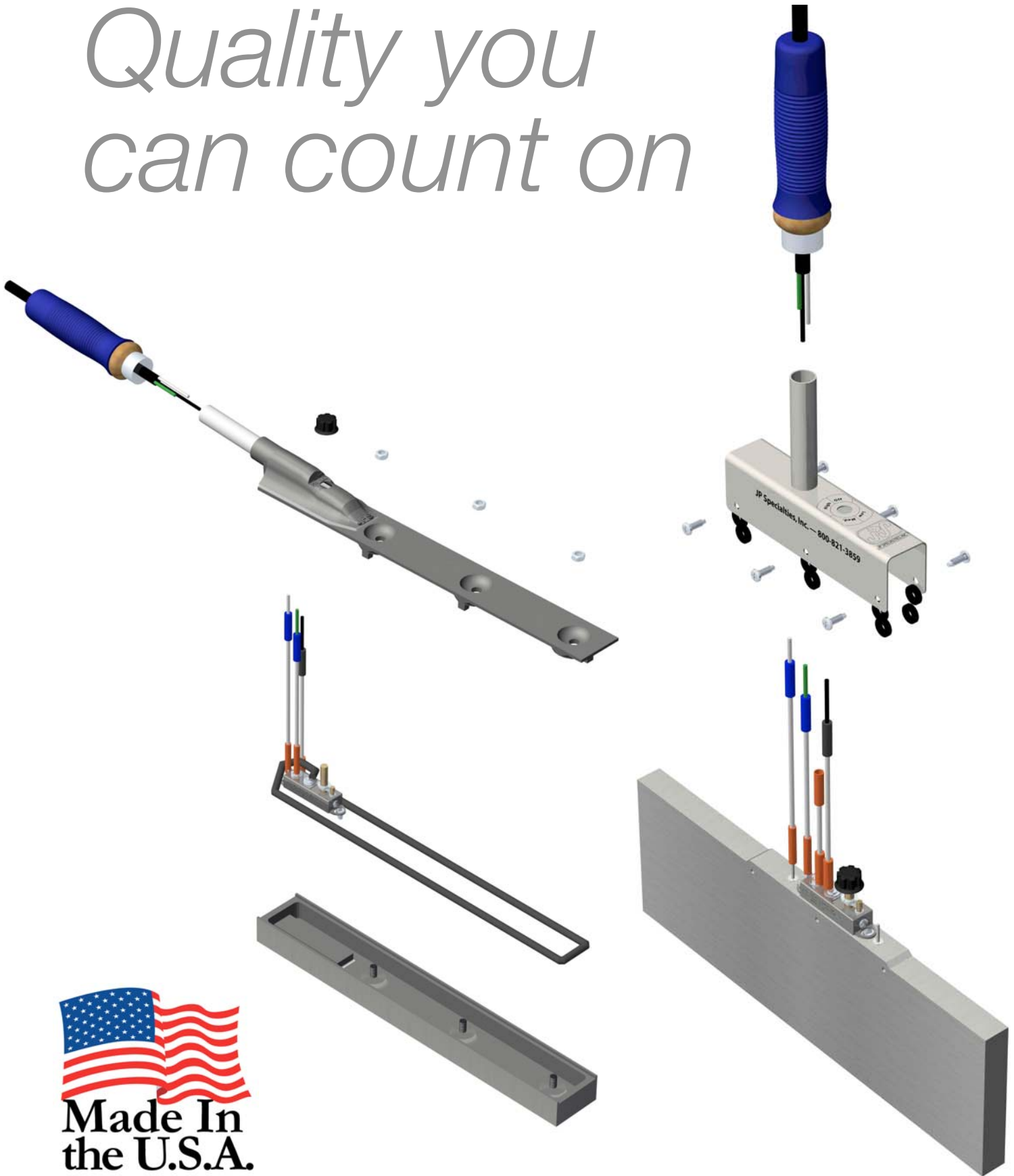
[Earth Shield® Expansion Board Cap Waterstop](#) is installed on top of conventional expansion board filler or Earth Shield's own chemical resistant, plastic expansion board. The expansion board acts as the form; therefore, no form splitting is necessary. This greatly accelerates the project schedule and provides a long lasting, attractive finished concrete joint.

**13360 part number** .50" x 48" x 96" board; factory cut to desired depth at no charge to customer

**13361 part number** .75" x 48" x 96" board; factory cut to desired depth at no charge to customer



*Quality you  
can count on*

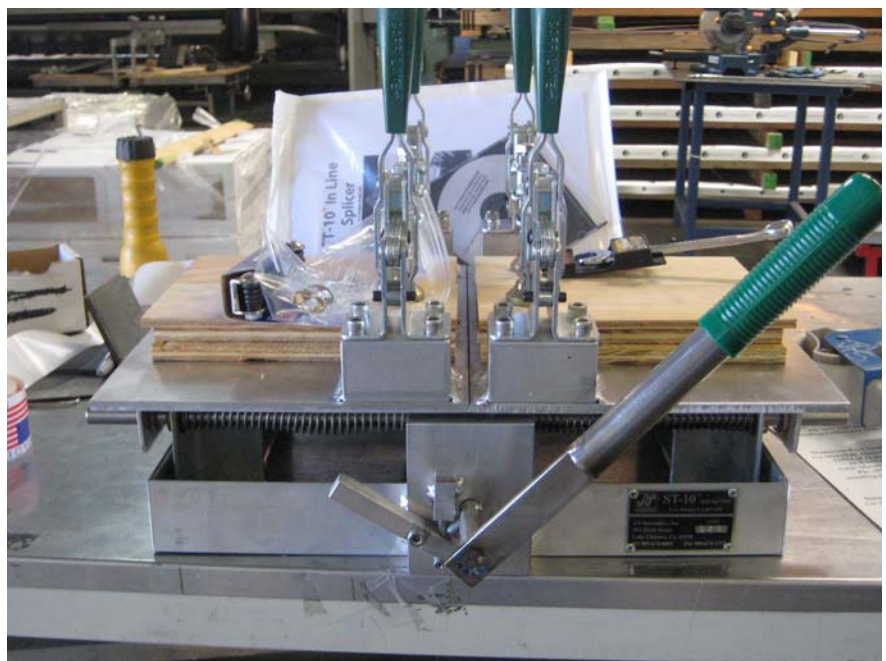


## ST-10® WATERSTOP SPLICING MACHINE

The ST-10® was designed and patented by JP Specialties as the perfect solution for producing high-tensile strength, leakproof welds on thermoplastic waterstops such as PVC, HDPE, LDPE, [TPER](#), and [TPV](#). New quality assurance standards in today's waterstop specifications mandate tensile testing across field welded joints, usually requiring tensile strength 80% or better of the parent material. Waterstops welded with the ST-10 assure the Contractor that their workmanship will yield results conducive to these rigorous requirements. The ST-10 is also an extreme labor saver, taking a two man job — welding waterstop — and taking it down to just one man.

- ✔ Easy to use
- ✔ Aligns the waterstop
- ✔ Portable, lightweight
- ✔ Weather resistant
- ✔ Minimizes fumes  
(maximizes safety)
- ✔ High tensile welds
- ✔ Welds under pressure,  
eliminating air bubbles

**12010 part number**





## JP SPECIALTIES, INC. LIMITED WARRANTY

Every JPS Splicing Iron and Splicing Table is thoroughly inspected and tested before leaving the factory.

JP Specialties, Inc. warrants this equipment to the original user against defective material or workmanship for a period of 90 days from the purchase date. This warranty extends only to the buyer purchasing the equipment directly from JP Specialties, Inc. or through its Dealers, Distributors, or Agents, as new equipment.

JP Specialties, Inc. reserves the right to determine whether the part or parts failed because of defective material, workmanship or other causes. This warranty does not apply to failures occurring as a result of abuse, misuse, negligent repairs, corrosion and normal wear and tear.

All warranty repairs must be done by JP Specialties, Inc. Any repair to the equipment other than by the factory voids this warranty. Should trouble develop during the warranty period, return the equipment, freight prepaid, to the factory. If inspection shows the trouble is caused by defective workmanship or material, JP Specialties, Inc. will repair (or at our option, replace) the equipment without charge. Please include a short note explaining the problem with your returned equipment.

The foregoing warranty is in lieu of all other warranties, express or implied including warranties of merchantability and fitness for a particular purpose.

## LIMITATIONS OF LIABILITY

The remedies of the user set forth under the provisions of warranty outlined above are exclusive and total liability of JP Specialties, Inc. or its Distributor with respect to this sale or the equipment and service furnished hereunder, in connection with the performance or breach thereof, or from the sale, delivery, installation, or repair or technical direction covered by or furnished under this sale, whether based on contract, warranty negligence, indemnity, strict liability or otherwise shall not exceed the purchase price of the unit equipment upon which such liability is based.

JP Specialties, Inc. shall in no event be liable to the user, any successors in interest or any beneficiary or assignee relating to this sale for any consequential, indirect, special, or punitive damages arising out of this date or any breach thereof, or any defects in, or failure of, or malfunction of the equipment under this sale whether based upon loss of use, lost profits or revenue, interest, lost goodwill, work stoppage, impairment of other goods, loss by reason of shutdown or non-operation, increased expenses of operation, cost of purchase of replacement equipment or damage is based on contract, warranty, negligence, indemnity, strict liability or otherwise.

