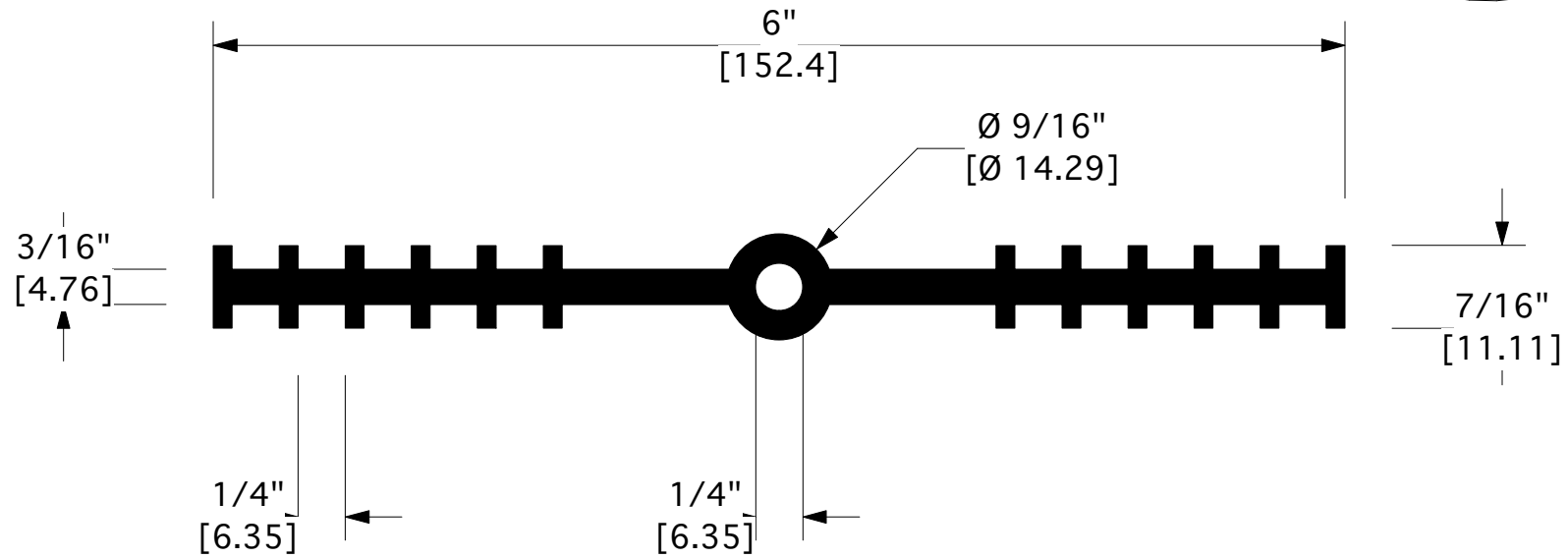


Available with factory installed brass eyelets. The eyelets provide for a convenient and durable tie-off point for wire tying the waterstop to the steel reinforcement prior to the concrete pour. JP Specialties installs the brass eyelets at 12" centers, between the last two ribs, to provide maximum resistance and rigidity to the poured concrete weight.

Note to specifier: To add factory installed brass eyelets to your Earth Shield specification, simply precede the specified part number with "EY." Example: If you are specifying JP636 and want the optional eyelets, call out part number EYJP636.



### Suggested Short Form Spec

#### Flexible Waterstop

Waterstop indicated in drawings and specifications for contraction (control), expansion and construction joints to be Earth Shield® Thermoplastic Vulcanizate (TPV) **Part No. JP636** as manufactured by **J P Specialties, Inc.** - 25811 Jefferson Avenue, Murrieta, CA 92562 - Phone 800-821-3859; International 951-763-7077; Fax 951-763-7074; Web [www.earthshield.com](http://www.earthshield.com); E-mail [davidp@earthshield.com](mailto:davidp@earthshield.com)

1. Thermoplastic Vulcanizate (TPV) Waterstop shall be certified for use in potable water per NSF/ANSI Standard 61. Third-party certified documentation to be provided by manufacturer.
2. No equals or substitutions allowed.

J P Specialties, Inc. / Earth Shield® Waterstop 25811 Jefferson Avenue, Murrieta, CA 92562 951-763-7077 · www.jp-specialties.com		
TITLE <b>6" RCB TPV Waterstop</b>		
PART NUMBER <b>JP636</b>	DRAWN BY <b>DRP</b>	DATE <b>02/00</b>
CAD FILE NAME <b>JP636</b>	APPROVALS	SIZE <b>A</b>