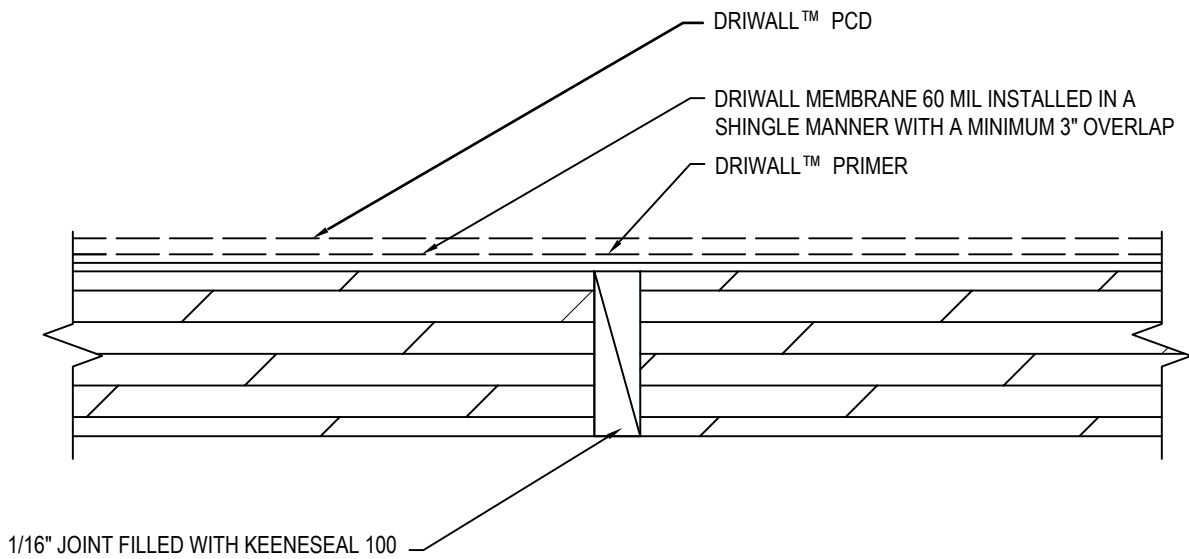
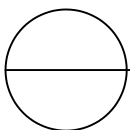




KEENE BUILDING PRODUCTS
P.O. BOX 241353
MAYFIELD HEIGHTS, OH 44124
TOLL FREE: 1-877-514-5336
PHONE: (440) 605-1020
FAX: (440) 605-1120
www.keenebuilding.com



DETAIL



WALLS/SIDING

02 DRIWALL MEMBRANE 60 MIL, DRIWALL PCD, KEENESEAL 100 - Balcony Waterproofing System