

Installation Guidelines

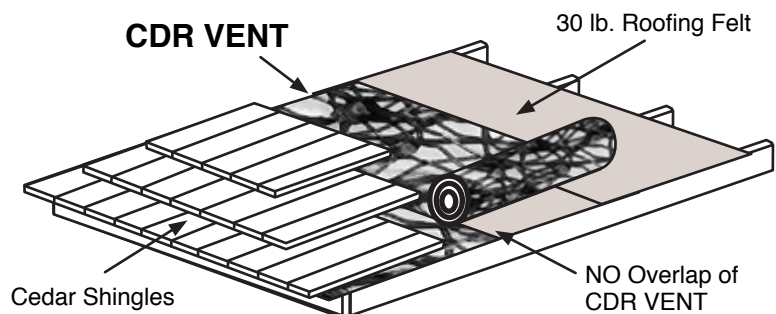
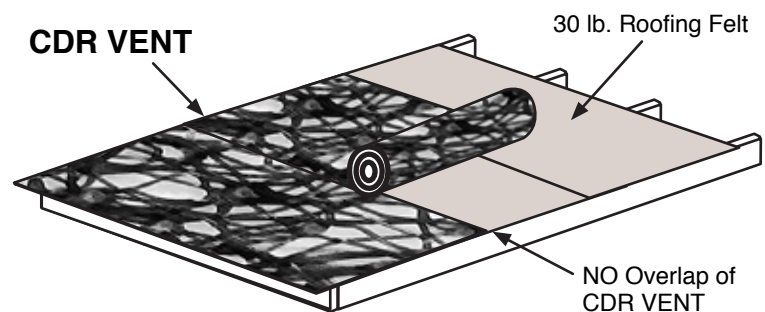
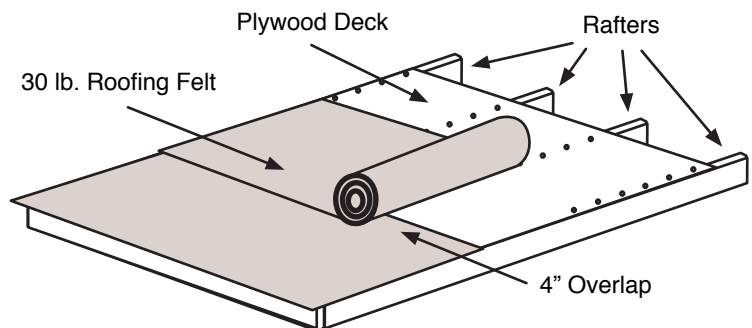
CDR Vent™ Complete Drained Roof

Inspection of Roof

Ensure that the roof is free from any structural defects. Keene Building Products' CDR VENT™ should only be applied to structurally sound surfaces, incorporate good building practices, and meet all local code requirements. Before starting any applications, check with your local building code requirements and read all manufacturers' installation instructions. Installations may vary depending on where you are located geographically. These installation instructions are for guidance only. **AVOID** walking on the CDR VENT. It may become slippery, especially when wet.

Installation Guide for Shingles

1. Install plywood deck on top of the roof rafters.
2. Install roofing felt over the top of the entire plywood roof deck. Overlap the roofing felt 4 inches at joining pieces. Smooth out roofing felt and secure every 12 inches.
3. Install the CDR VENT with dimples down, by nailing, tacking, or stapling approximately every 3 square feet. Each course should butt up against the course that was previously installed. **DO NOT OVERLAP.**
4. Install cedar shingles according to the manufacturer's recommendations. Install towards the ridge to prevent from walking on the CDR VENT. Make sure to incorporate the thickness of the CDR VENT with regards to the nail length for securing the shingle.



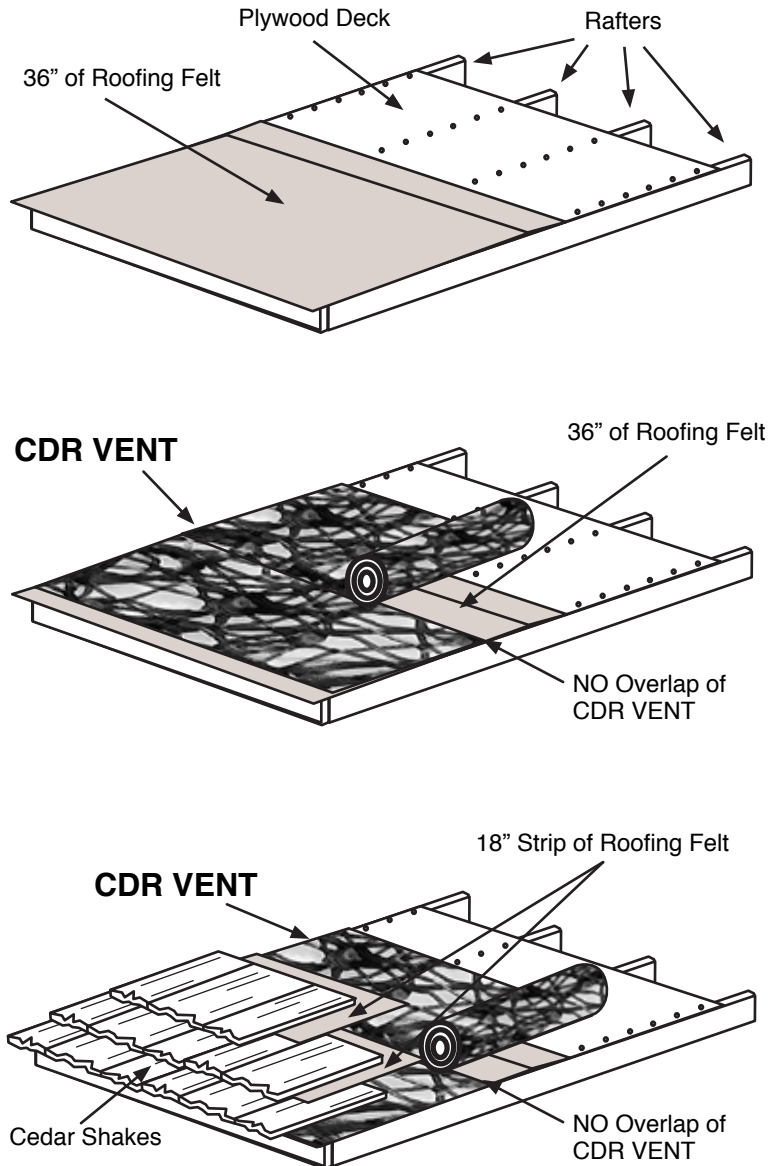
Please see the back side for more information ----->

Inspection of Roof

Ensure that the roof is free of any structural defects. Keene Building Products' CDR VENT should only be applied to structurally sound surfaces, incorporate good building practices, and meet all local code requirements. Before starting any applications, check with your local building code requirements and read all manufacturers' installation instructions. Installations may vary depending on where you are located geographically. These installation instructions are for guidance only. AVOID walking on the CDR VENT. It may become slippery, especially when wet.

Installation Guide for Shakes

1. Install plywood deck on top of the roof rafters.
2. Install 36 inch wide course of roofing felt along the roof eave.
3. Install the CDR VENT with dimples down, by nailing, tacking, or stapling approximately every 3 square feet. Each course should butt up against the course that was previously installed. DO NOT OVERLAP.
4. Install cedar shakes according to the manufacturer's recommendations. Install towards the ridge to prevent from walking on the CDR VENT. Place an 18 inch course of roofing felt over the top portion of the shake. Allow the top portion of the roofing felt to rest on the CDR VENT, with the bottom laying over the shake. Check the manufacturer's recommendations to see how far the 18 inch course of roofing felt should be placed above the exposure line.



CDR VENT can be used with metal shingles. Please contact for further information 877-514-5336.