



LP® TechShield® Radiant Barrier Sheathing

# Roof sheathing installation for wood shake shingles.

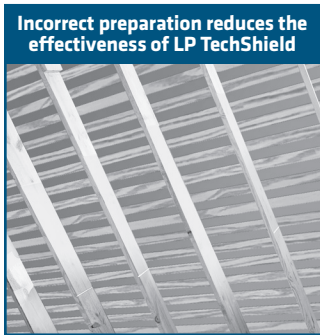


Figure 1

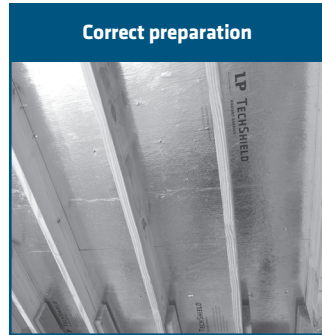
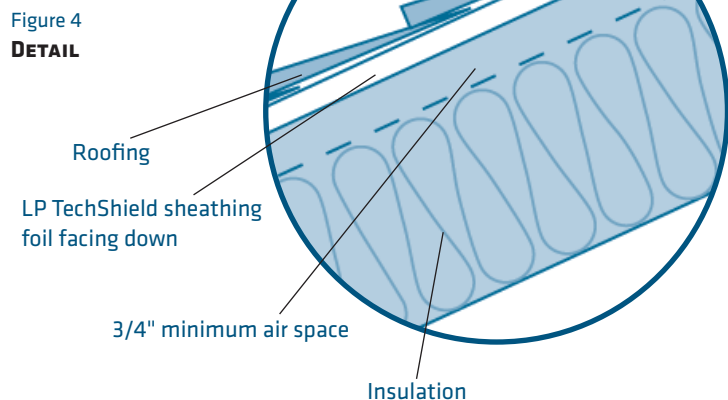
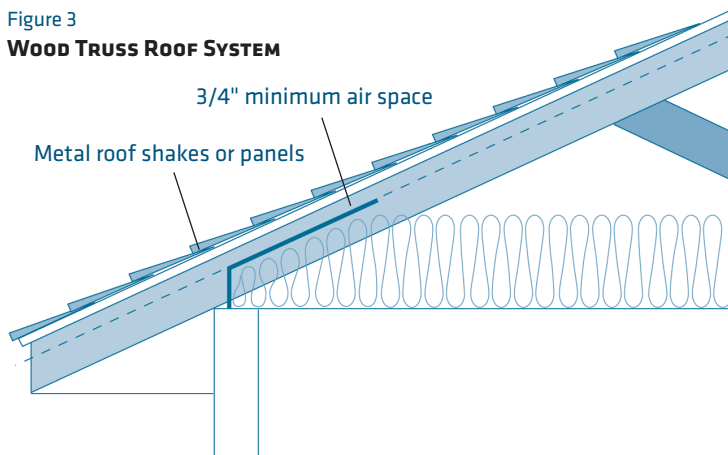


Figure 2



These steps are necessary:

1. Check the rafter alignment and determine if there is uniform or random on-center spacing. Be sure to use LP® TechShield® with the proper thickness for the required on-center rafter spacing.
2. If the rafters are uniformly spaced, remove every 1x4-in. plank. (see Figures 1 & 2)
3. If the rafters are randomly spaced, remove every other 1x4-in. plank. (Note: This method will reduce the attic-exposed LP TechShield foil by up to 30%.)
4. Provide adequate roof ventilation according to building code in your area.
5. Panel spacing on ends and edges should be 1/8".
6. Place LP TechShield radiant barrier sheathing panels with the foil side facing down on the roof (toward the attic air space). 3/4" minimum air space required. (See Figures 3 & 4)
7. Fasten the panels a minimum of 6" on center at supported panel ends and edges, and 12" on center at intermediate supports. 8d nails are recommended.
8. Protect LP TechShield panels from moisture prior to and during installation.
9. Use shingle underlayment (or 15# roofing felt) to cover roof as soon as possible to protect panels from exposure to adverse weather conditions. Use 30# roofing felt if construction delays are experienced.
10. Allow sheathing to adjust to atmospheric conditions before shingle installation.
11. Follow the roofing manufacturer's application instructions.

For a copy of the warranty or for installation and technical support visit: [www.lpcorp.com/techshield](http://www.lpcorp.com/techshield)  
 Phone: 888.820.0325  
 Email: [customer.support@lpcorp.com](mailto:customer.support@lpcorp.com)



**Cal. Prop 65 Warning:** Use of this product may result in exposure to wood dust, known to the State of California to cause cancer.