

## BH JOIST HANGER

The BH Joist hanger is used to connect floor joists to the supporting structure.

**GAUGE (MIL) YIELD:** 12 (97) 50ksi

**FINISH:** Galvanized – G90

**OPTIONS:**

Single BH Hanger:

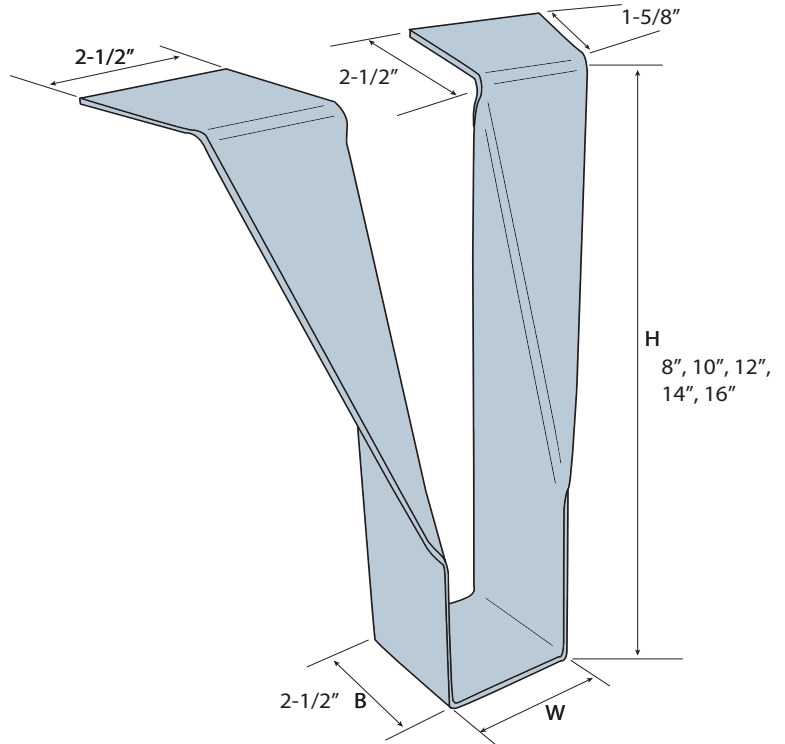
- W=2-1/8" for 2" Flange Joists

Double BH Hanger:

- W=4-1/4" for 2" Flange Joists

Tripple BH Hanger:

- W=6-3/8" for all 2" Flange Joists



Model No.	W (in)	H (in)
800BH12	2-1/8"	8
100BH12		10
120BH12		12
140BH12		14
160BH12		16
800DB12	4-1/4"	8
100DB12		10
120DB12		12
140DB12		14
160DB12		16
800TBH12	6-3/8"	8
100TBH12		10
120TBH12		12
140TBH12		14
160TBH12		16

\*Call for other sizes

Model No.	Dimensions			Fastners	Allowable Downloads
	W (in)	H (in)	B (in)		
BH - Screw	See table	See table	2-1/2"	6-#10 Screws	2560
BH - Welded	See table	See table		1/8" x 2" Weld	4015
BH - P.A.F.				6-P.A.F. fasteners	2665

Notes:  
The height values (H) measured from the inside dimension from the seat of the hanger to the outside dimension at the top of the hanger

Notes:

1. Loads are governed by tests and may not be increased.
2. The joist must be properly seated in the hanger.
3. Header to be engineered by a design professional.
4. Powder actuated fastener and welded loads are based on hanger attached to 3/8" structural steel member.
5. Loads for screw attached hanger were based on hanger attached to 68 mil CFS member.
6. Powder actuated fastener loads were tested with Hilti X-U Pins.
7. BH hangers were tested per AISI S914-08, Test Standard for Joist Connectors Attached to CFS framing.

### BH Hanger application

