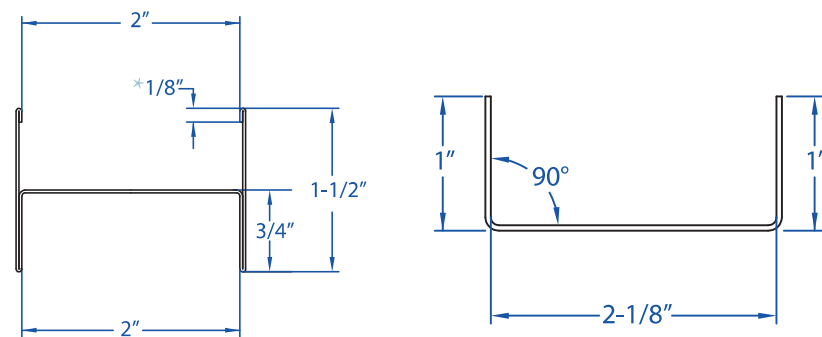


H-STUD, C-RUNNER, ALUMINUM BREAKAWAY CLIP & ASSEMBLY DETAILS

Area Separation Walls

The MarinoWARE® Area Separation Wall is constructed once the framing for one multistory unit is complete and prior to the construction of the interior framing on the adjacent unit. The area separation wall is constructed a minimum 3/4" away from the adjacent framing, which is typically constructed from wood. In many cases the area separation wall is positioned 1" away from the wall framing to accommodate the 1" Liner Board panels used as fire blocking between the floor levels.

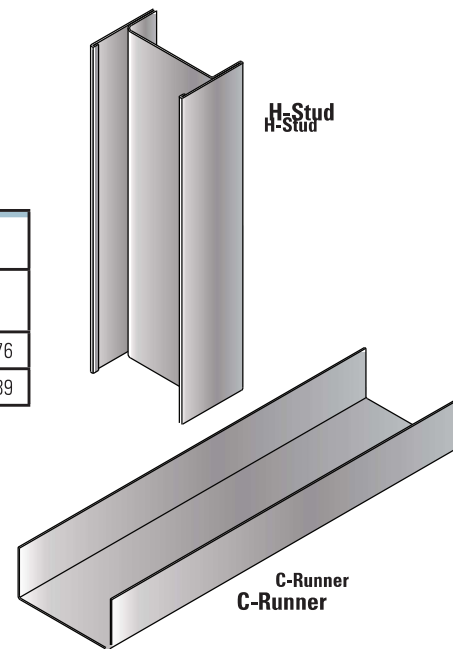
PHYSICAL PROPERTIES						SECTION PROPERTIES					
Model No.	Web	GA.	Mil	Design Thickness	Coating	Weight (lb/ft)	Area (in2)	Ix	Sx	Iy	Sy
216HS25	2"	25	18	0.0188"	G40	0.4310	0.1270	0.0990	0.0995	0.0147	0.0176
216HS20	2"	20	30	0.0312"	G40	0.7150	0.2100	0.1681	0.1582	0.0243	0.0289



H-Stud

C-Runner

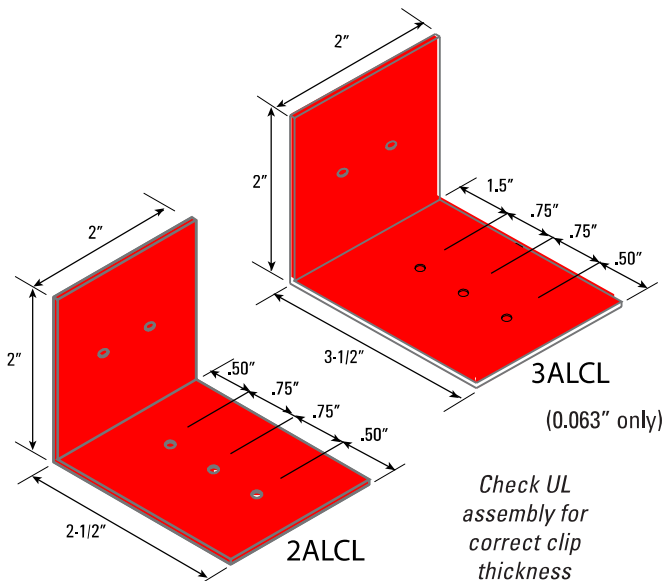
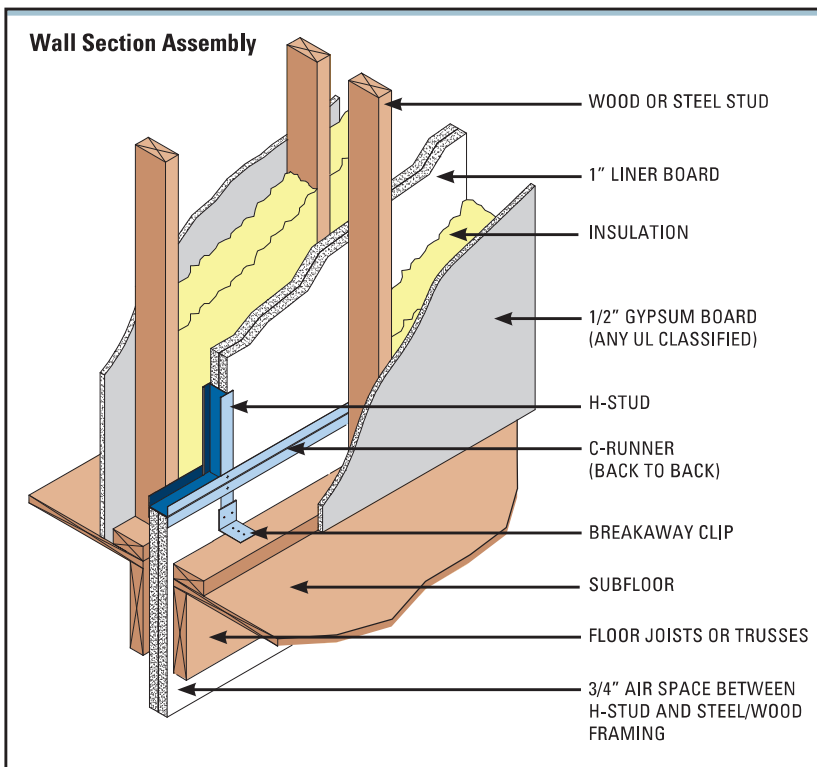
* - 20 Gauge Not Hemmed



Breakaway Clip (BA)

BA clips allow a fire damaged structure to collapse while permitting the fire wall to remain in place, protecting adjacent units.

- For use with Area Separation Wall Systems
- Aluminum .063" or .049"
- Designed to melt under extreme heat



Check UL assembly for correct clip thickness

(available in 0.049" or 0.063" thickness)