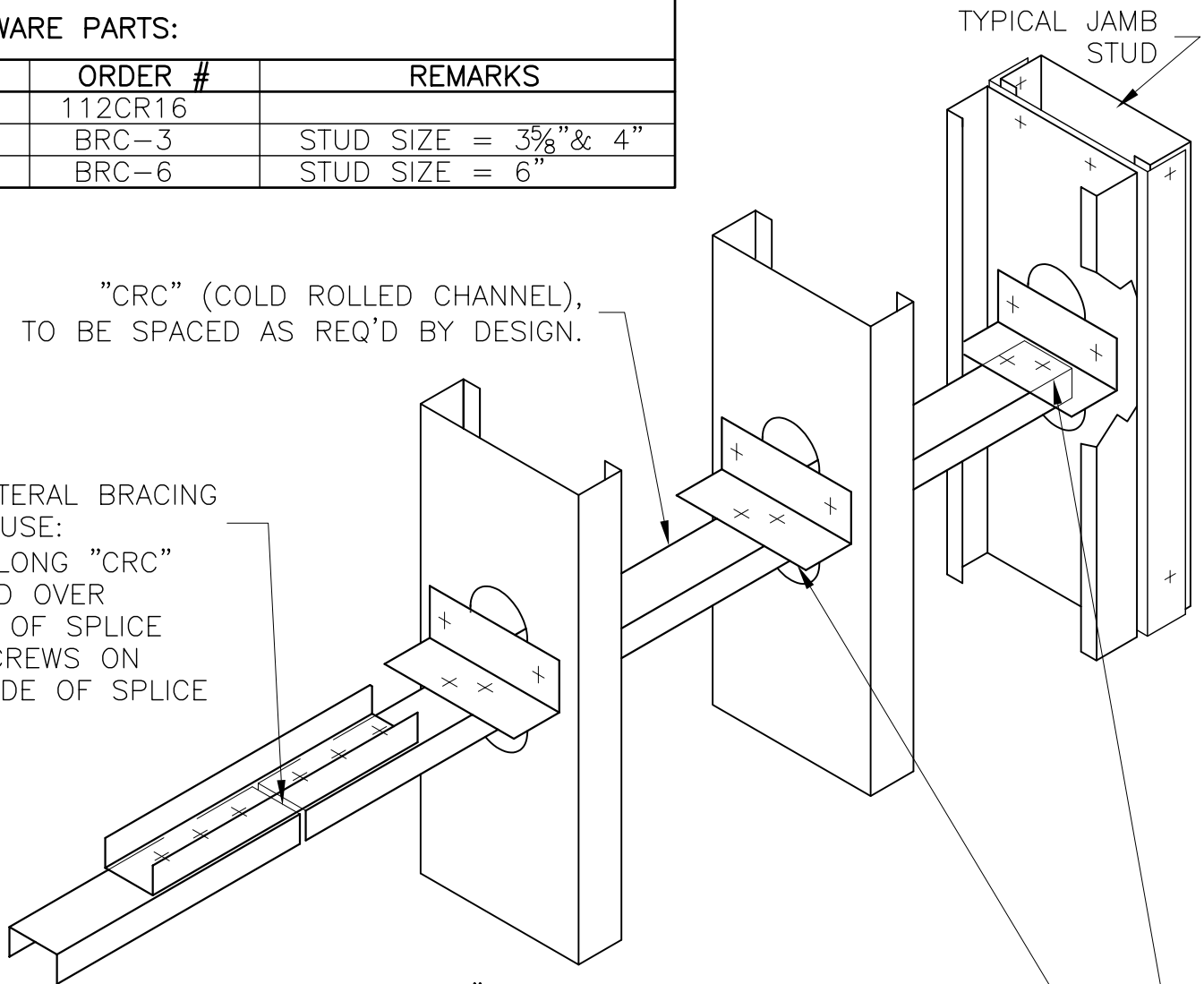


**MARINO\WARE PARTS:**

ITEM	ORDER #	REMARKS
"CRC"	112CR16	
"BRC"	BRC-3	STUD SIZE = 3 <sup>5</sup> / <sub>8</sub> " & 4"
"BRC"	BRC-6	STUD SIZE = 6"

"CRC" (COLD ROLLED CHANNEL),  
TO BE SPACED AS REQ'D BY DESIGN.

TYP. LATERAL BRACING  
SPLICE USE:  
(1) 12" LONG "CRC"  
INVERTED OVER  
CENTER OF SPLICE  
WITH SCREWS ON  
EACH SIDE OF SPLICE



"BRC TO BE ATTACHED WITH SCREWS  
TO "CRC" AND TO THE STUD

WHERE BRACING TERMINATES AT BUILT-UP  
JAMB OR POST, EXTEND "CRC"  
INTO PUNCH-OUT. ATTACH "CRC"  
TO JAMB OR POST WITH "BRC" WITH  
SCREWS @ PRE-DRILLED HOLES

**NOTE:**

CRC BRACING FOR 3<sup>5</sup>/<sub>8</sub>" TO 8"  
STUDS ONLY!!

CRC LATERAL BRACING

**Marino\WARE**

**4. CURTAINWALL DETAIL**