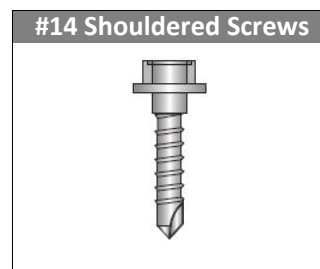
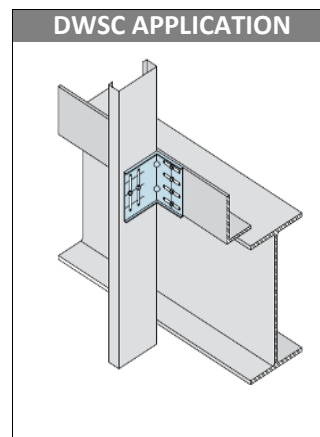
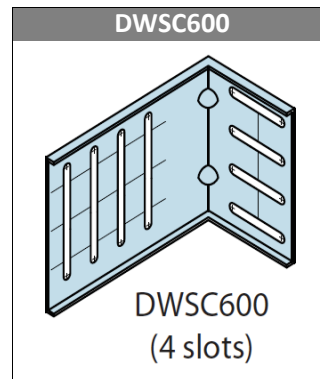


Marino\WARE® Product Submittal Data

MARINO\WARE PART # DWSC600

MATERIAL: See Table
FINISH: Galvanized – G90
SCREWS: #14 Shouldered screws included.

Part No.	Ga/Mil	Material	Finish	Size
DWSC362	14ga (68)	50 KSI	G-90	4" x 1.5" x 3.5"
DWSC600	14ga (68)	50 KSI	G-90	4" x 1.5" x 5.5"
DWSC800	14ga (68)	50 KSI	G-90	4" x 1.5" x 7.5"
DWSC1000	14ga (68)	50 KSI	G-90	4" x 1.5" x 9.5"
DWSC1200	14ga (68)	50 KSI	G-90	4" x 1.5" x 11.5"



CODES & STANDARDS

- Steel meets ASTM A1003
- Coating meets ASTM A1003, A653

GREEN INFO

- LEED v4 credits available
- Contact Technical Services for more information

ClipSource™



For more information, please contact Marino\WARE Technical Services at 866-545-1545.

This technical information reflects the most current information available and supersedes any and all publications, effective 10/1/2021.

© Copyright 2021 by Ware Industries, Inc. All rights reserved