

# Marino\WARE® Product Submittal Data

**PRODUCT NAME: Deflection Drift Angle (DDA)**

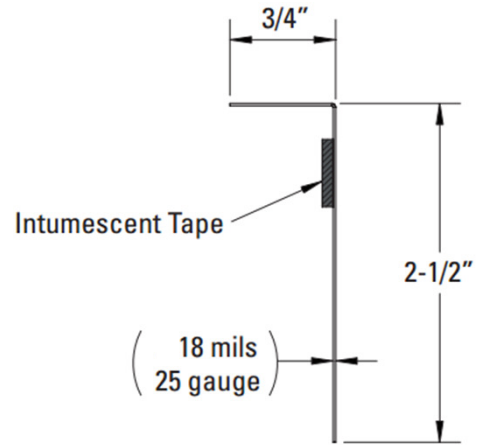
\*Manufactured by CEMCO, distributed by Marino\WARE

**PROPERTIES:**

Size (in.)	Length (ft)	Mils (gauge)
3/4 x 2-1/2	10	18 (25)

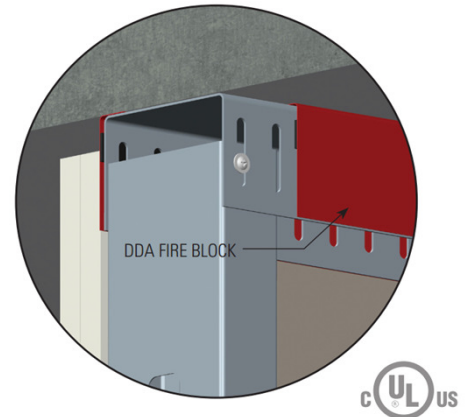
**PRODUCT:**

DDA is a composite steel angle with factory applied intumescent tape to the inside leg of the angle. The DDA is a fire-rated accessory when combined with Slotted Track, and offers unencumbered movement at the head-of-wall (HOW) joint in accordance with UL-2079. The 2-1/2" long leg is manufactured from red steel and labeled for proper identification. DDA provides up to 2" overall dynamic movement.



**FIRE RATED DESIGNS (UL 2079):**

HW-D-0576; HW-D-0581; HW-D-0585; HW-D-0598



**CODES & STANDARDS**

- ASTM E1966 - Standard Test Methods of Fire Tests of Fire Stop Systems.
- ASTM E119 - Standard Test Methods for Fire Tests of Building Construction and Material.
- ASTM E90 - Sound testing, up to STC 66
- ASTM A653, C645, A1003 & A924
- Air Leakage Tests for compliance to Section 713.6 of the IBC.
- UL 2079 5th Edition
- IBC 2015

U.S. Patent 8,595,999



For more information, please contact Marino\WARE Technical Services at 866-545-1545.

This technical information reflects the most current information available and supersedes any and all publications, effective 1/10/2018  
©Copyright 2018 by Ware Industries, Inc. All rights reserved