

# Marino\WARE® Product Submittal Data

## PRODUCT NAME: FAS-093X (Fire Rated Control Joint)

\*Manufactured by CEMCO, distributed by Marino\WARE

### PRODUCT:

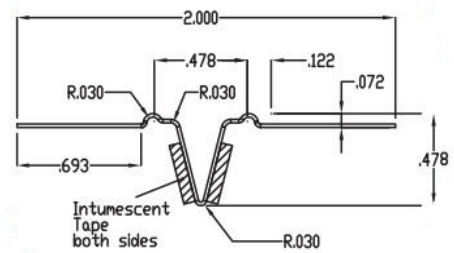
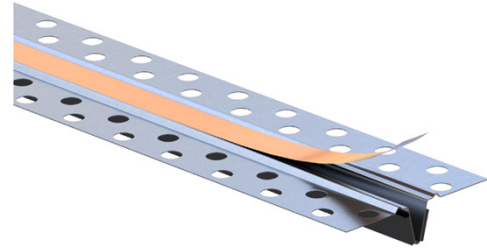
FAS-093X Fire Rated Control Joint is a composite control joint with intumescent tape factory applied to the back side of the control joint. The FAS-093X has been tested according to UL-2079 "Test for Fire Resistance of Building Joint Systems"

- Used to relieve stresses from expansion and contraction of Interior and Exterior walls.
- Used either horizontally or vertically.
- For use in both metal or wood framing.
- Used on one or both sides of the wall.
- 13 mil galvanized steel

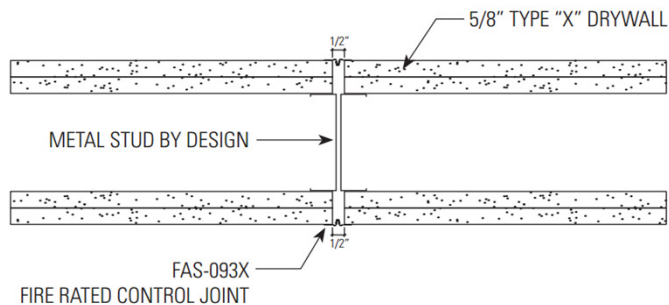
US Patent 8,671,632

### FIRE RATED DESIGN:

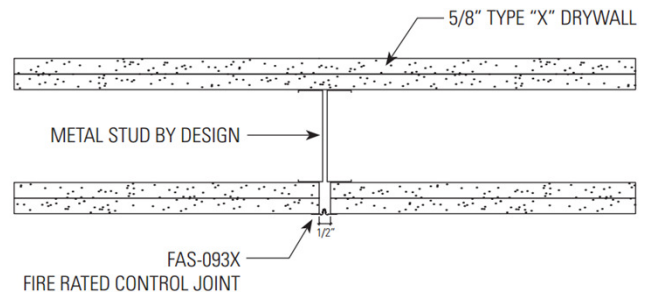
WW-D-0172



Detail A



Detail B



For more information, please contact Marino\WARE Technical Services at 866-545-1545.

This technical information reflects the most current information available and supersedes any and all publications, effective 6/10/2017  
©Copyright 2017 by Ware Industries, Inc. All rights reserved