

## FAS-RBR STRAP (RATED BASE REVEAL)

MANUFACTURED BY CERCO

### Product Description

FAS-RBR Strap (Rated Base Reveal) is a composite steel/intumescent profile that provides a fire and smoke rating according to UL-2079 for a recessed base board and listed under UL BW-S-0036. The FAS-RBR Strap is a fire rated steel/intumescent strap drywall accessory that provides fire rating for recessed base board assemblies. FAS-RBR is fabricated from hot-dipped galvanized steel complying with ASTM A653, and ASTM A1003 Grade 33 Type H for 33 ksi yield strength steel for 20 gauge (30 mil) with a minimum G40 coating complying with ASTM A924.

Patent Pending

### Steel Thickness

Steel thickness 20ga .030mil (only) 6" wide

### ASTM & Code Standards

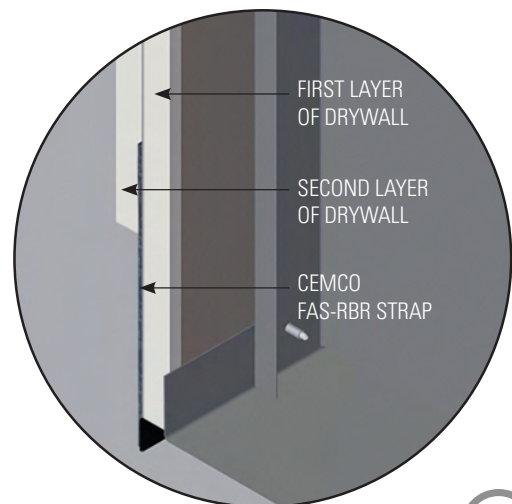
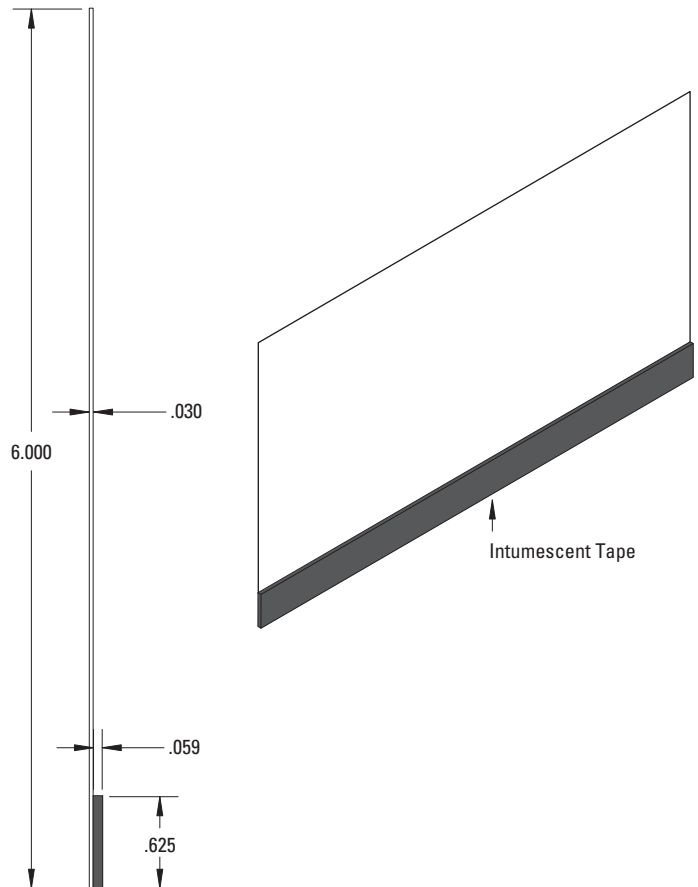
- ASTM A1003, A653, A924
- 2012/2015 IBC
- 2010/2013 CBC
- 2012 AISI
- ASTM E 1966: Standard Test Method of Fire Tests of Firestop Systems
- UL 2079 Tests for Fire Resistance of Building Joints
- ASTM E-119 Standard Test Methods for Fire Tests of Building Construction and Material
- Air leakage tests conducted for compliance with Section 713.6 of IBC and CBC

### LEED v4 for Building and Design Construction

- MR Prerequisite: Construction and Demolition Waste Management Planning.
- MR Credit: Construction and Demolition Waste Management.
- MR Credit: Building Product Disclosure and Optimization – Sourcing of Raw Materials, Option 2.
- MR Credit: Building Product Disclosure and Optimization – Environmental Product Declarations, Options 1 & 2.
- MR Credit: Building Product Disclosure and Optimization – Material Ingredients, Option 1.
- MR Credit: Building Life-Cycle Impact Reduction, Option 4.

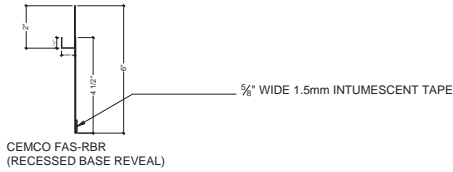
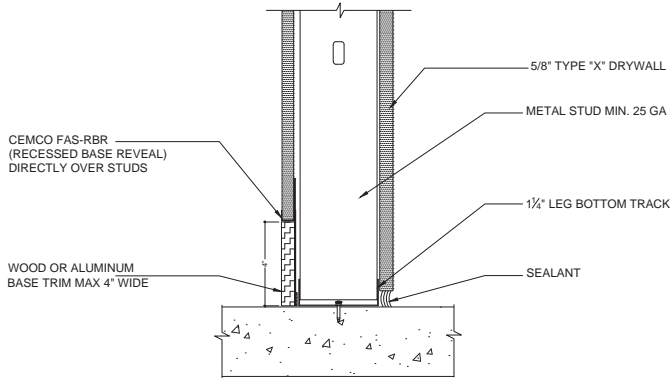
### Cold-formed steel framing products contain 30% to 37% recycled steel

- Total Recycled Content: 36.9%
- Post-Consumer: 19.8%
- Pre-Consumer: 14.4%



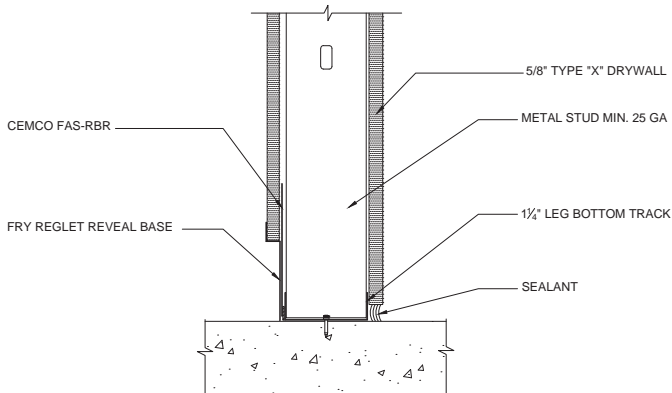
## Bottom of Wall

### BW-S-0036 1 HR. FIRE RATED RECESS BASE REVEAL



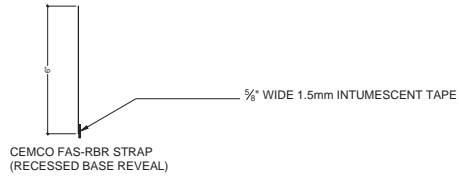
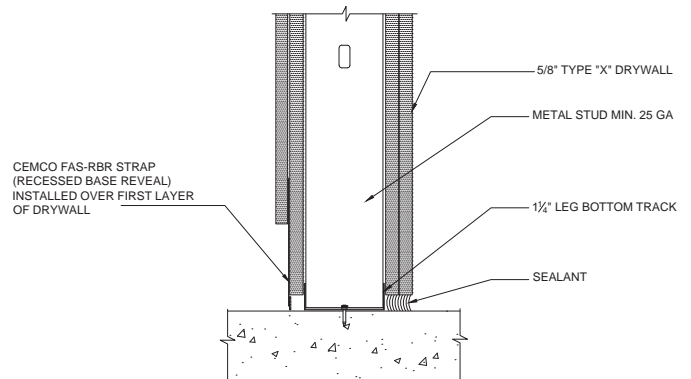
\*NOTE: SINGLE LAYER OF 5/8" TYPE "X" DRYWALL FOR 1 HOUR FIRE RATING, 2 LAYERS FOR 2 HOUR

### BW-S-0036 BOTTOM WALL STATIC JOINT FAS-RBR STRAP



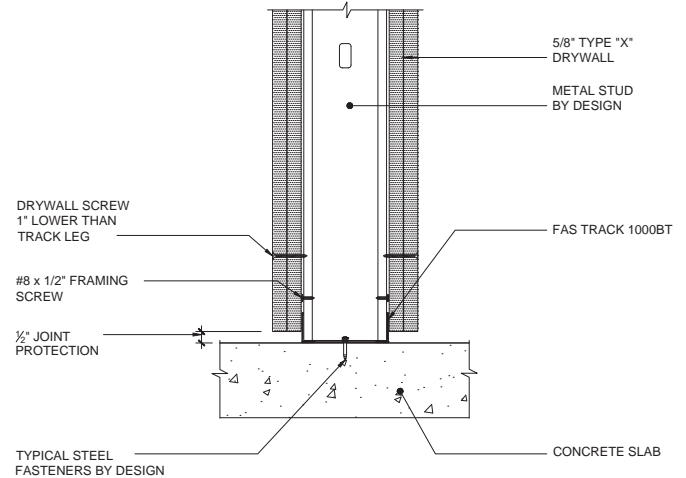
\*NOTE: SINGLE LAYER OF 5/8" TYPE "X" DRYWALL FOR 1 HOUR FIRE RATING, 2 LAYERS FOR 2 HOUR

### BW-S-0036 2 HR. BOTTOM WALL STATIC JOINT FAS RBR STRAP



\*NOTE: SINGLE LAYER OF 5/8" TYPE "X" DRYWALL FOR 1 HOUR FIRE RATING, 2 LAYERS FOR 2 HOUR

### BW-S-0024 2 HR. BOTTOM WALL STATIC JOINT



\*NOTE: SINGLE LAYER OF 5/8" TYPE "X" DRYWALL FOR 1 HOUR FIRE RATING, 2 LAYERS FOR 2 HOUR