



Product Description

MarinoWARE RBR STRAP (Rated Base Reveal) is a preformed galvanized steel strap with an intumescent strip that provides a fire and smoke rated solution for recessed base boards, flush mounted to the face of the wall.

RBR STRAP eliminates the need for a second layer of drywall thus reducing in-place cost when recessed base boards or a reveal is desired.

Ordering / Packaging

Description	Part #	Width	Length	Pcs/Ctn	Submitted for Review/Use	✓
RBR STRAP (20 ga)	RBRFS	6"	10'	Each*	RBRFS	

* Contact CEMCO for minimum order quantity.

Storage / Warranty

- ♥ When stored indoors and kept dry in the original package, FAS-093X will provide unlimited shelf life.
- ♥ See Firestop Product Warranty for details.

ASTM & Code Standards

- ♥ AISI S220
- ♥ ASTM A653
- ♥ ASTM A1003
- ♥ ASTM E1966
- ♥ UL 2079 5th Edition
- ♥ L-Rating (air leakage) testing for compliance with International Building Code (IBC) and Canadian Building Code (CBC)
- ♥ UL listings/approvals include: BW-S-0036
- ♥ **U.S. Patent No. 9,752,318 B2**

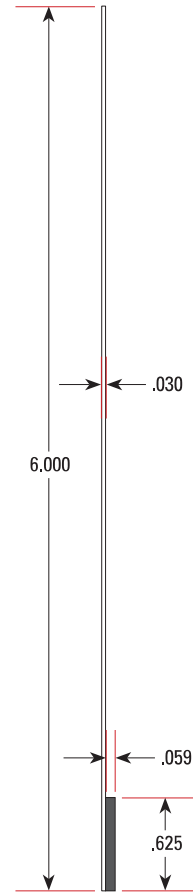
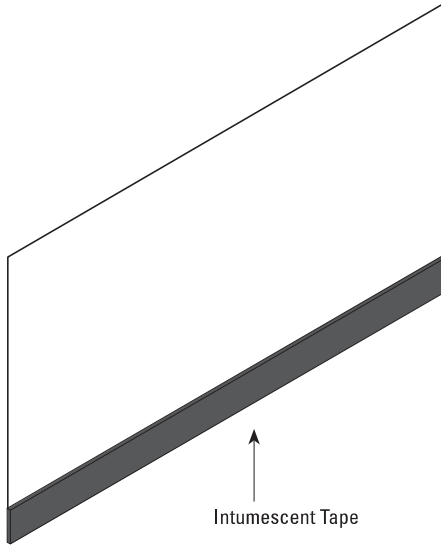


Always check UL Fire resistance directory for complete design requirements.

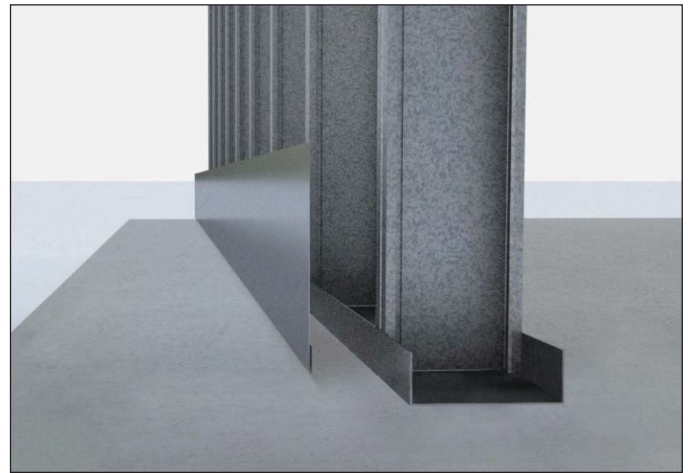
For more information, please contact MarinoWARE® Technical Services at 866.545.1545

This technical information reflects the most current information available and supersedes any and all previous publications effective

July 18, 2025 | MW_Firestop_Catalog | ©WARE Industries, Inc. 2025



← View the installation video!



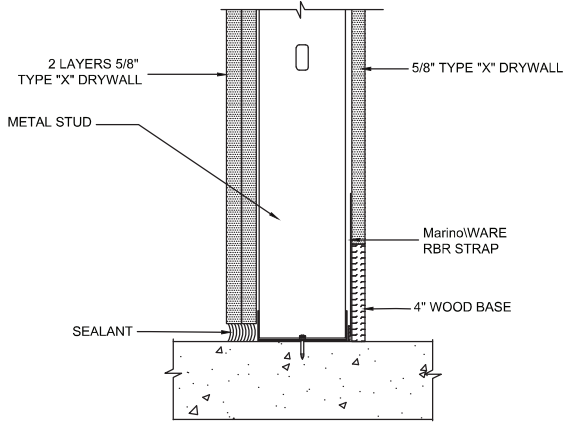
Always check UL Fire resistance directory for complete design requirements.

For more information, please contact MarinoWARE® Technical Services at 866.545.1545

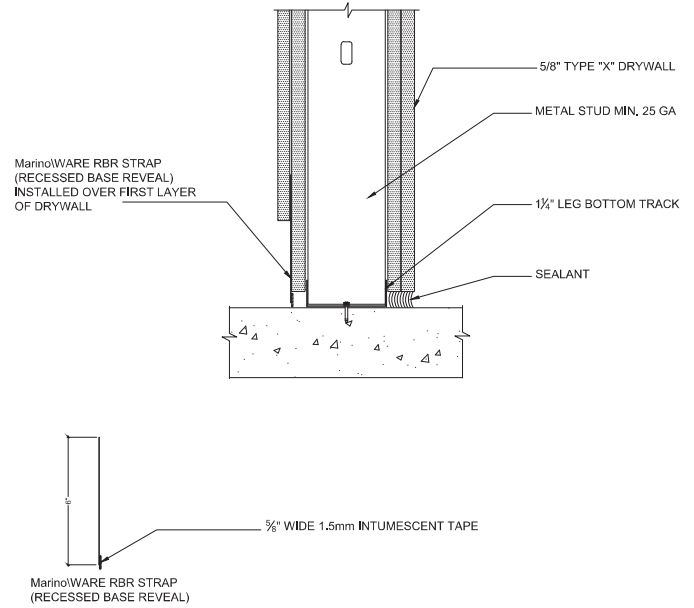
This technical information reflects the most current information available and supersedes any and all previous publications effective

July 18, 2025 | MW_Firestop_Catalog I ©WARE Industries, Inc. 2025

BW-S-0036 SOUND TEST OL15-1010, STC 52



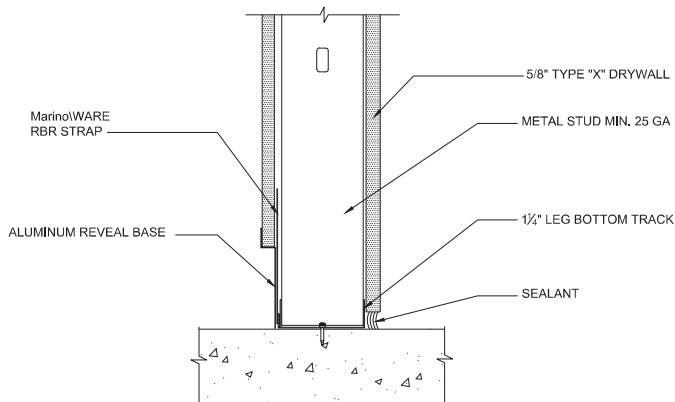
BW-S-0036 2HR BOTTOM WALL STATIC JOINT RBR STRAP



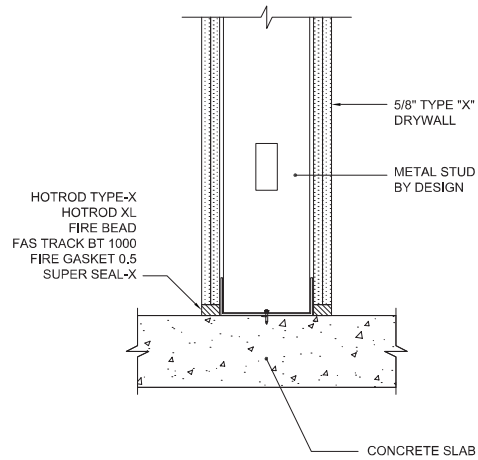
*NOTE: SINGLE LAYER OF 5/8" TYPE "X" DRYWALL FOR 1 HOUR FIRE RATING, 2 LAYERS FOR 2 HOUR

*NOTE: SINGLE LAYER OF 5/8" TYPE "X" DRYWALL FOR 1 HOUR FIRE RATING, 2 LAYERS FOR 2 HOUR

BW-S-0036 BOTTOM WALL STATIC JOINT RBR STRAP



BW-S-0024 2HR BOTTOM WALL STATIC JOINT



*NOTE: SINGLE LAYER OF 5/8" TYPE "X" DRYWALL FOR 1 HOUR FIRE RATING, 2 LAYERS FOR 2 HOUR

*NOTE: SINGLE LAYER OF 5/8" TYPE "X" DRYWALL FOR 1 HOUR FIRE RATING, 2 LAYERS FOR 2 HOUR

Always check UL Fire resistance directory for complete design requirements.

For more information, please contact MarinoWARE® Technical Services at 866.545.1545

This technical information reflects the most current information available and supersedes any and all previous publications effective

July 18, 2025 | MW_Firestop_Catalog | ©WARE Industries, Inc. 2025