

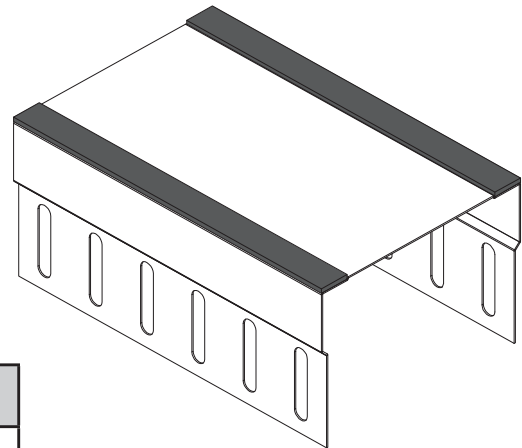
Geometric Properties

MARINOWARE FAS Track 1000 is a slotted deflection track that offers fire and air (smoke) protection, eliminating the need for fire and sound sealant. The section is fabricated from hot-dipped galvanized steel complying with ASTM A653, and ASTM A1003 Grade 33 Type H for 33 ksi yield strength steel for 20 gauge (33 mils) with a minimum G40 coating complying with ASTM A924, and 18 gauge (43 mils) with a minimum G60 coating complying with ASTM A924; and Grade 50 Type H for 50 ksi yield strength steel for 16 gauge (54 mils) with a minimum G60 coating complying with ASTM A924. FAS Track 1000 has been tested with Underwritten Laboratories in accordance with UL 2079.

Steel Thickness

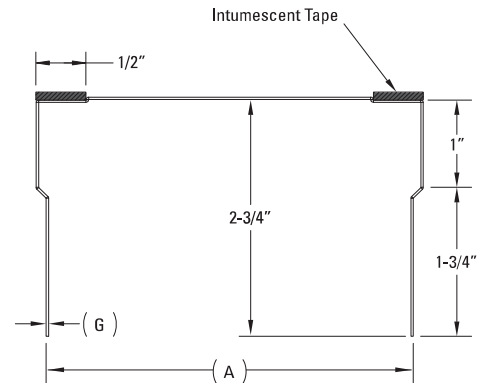
"A" Track Member Width (in.)	Flange Size (in.) ¹	Length (ft.)	"G" Steel Thickness mil(gauge)
2-1/2, 3-5/8, 4	2-3/4	10	30(20DW), 33(20STR), 43(18), 54(16)
6, 8	2-3/4	10	30(20DW), 33(20STR), 43(18), 54(16), 68(14)

U.S. Patent #8,640,415 B2



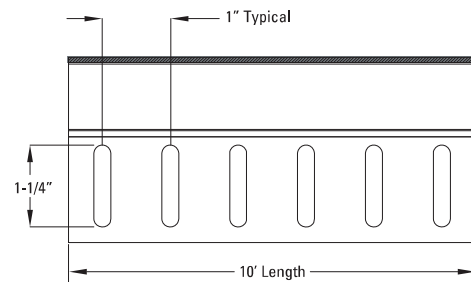
ASTM & Code Standards

- ASTM A653/653M, A924/924M, A1003/1003M & C645
- ASTM E 1966: Standard Test Methods of Fire Tests of Firestop Systems
- UL 2079 Tests For Fire Resistance of Building Joints
- ASTM E-119 Standard Test Methods for Fire Tests of Building Construction and Material
- Sound Tested in accordance with ASTM E90-09
- Air leakage tests conducted for compliance with Section 713.6 of IBC and CBC



LEED v4 for Building and Design Construction

- MR Prerequisite: Construction and Demolition Waste Management Planning
- MR: Credit: Construction and Demolition Waste Management
- MR Credit: Building Product Disclosure and Optimization - Sourcing of Raw Materials, Option 2
- MR Credit_ Building Product Disclosure and Optimization - Environmental Product Declarations, Options 1 & 2
- MR Credit: Building Product Disclosure and Optimization - Material Ingredients, Option 1
- MR Credit: Building Life-Cycle Impact Reduction, Option 4

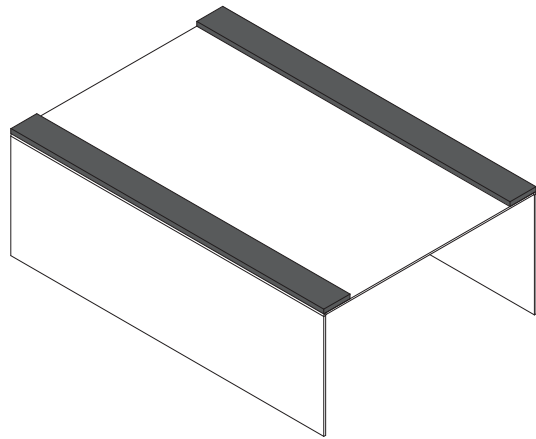


← Scan or click the code to view the installation video!



Geometric Properties

MARINO\WARE FAS Track 1000 DL is a deflection track with 1/2" intumescent Tape that offers fire and air (smoke) protection, eliminating the need for fire and sound sealant. The section is fabricated from hot-dipped galvanized steel complying with ASTM A653, and ASTM A1003 Grade 33 Type H for 33 ksi yield strength steel for 20 gauge (33 mils) with a minimum G40 coating complying with ASTM A924, and 18 gauge (43 mils) with a minimum G60 coating complying with ASTM A924; and Grade 50 Type H for 50 ksi yield strength steel for 16 gauge (54 mils) with a minimum G60 coating complying with ASTM A924. FAS Track 1000 DL has been tested with Underwritten Laboratories in accordance with UL 2079.



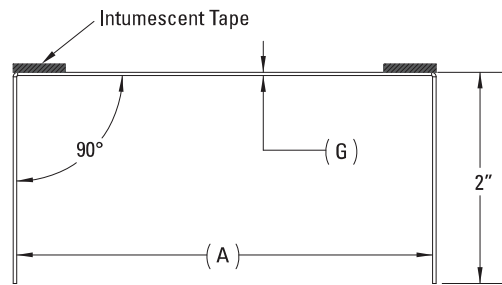
Steel Thickness

Thickness (mil)	Design Thickness (in.) ¹	Minimum Thickness (in.) ^{1,2}
30	0.0312	0.0296
33	0.0346	0.0329
43	0.0451	0.0428
54	0.0566	0.0538

Notes:
 1. Uncoated steel thickness. Thickness is for carbon steel.
 2. Minimum Thickness represents 95% of the design thickness and is the minimum acceptable thickness delivered to the job site, based on Section A3.4 of the AISI S100-2012

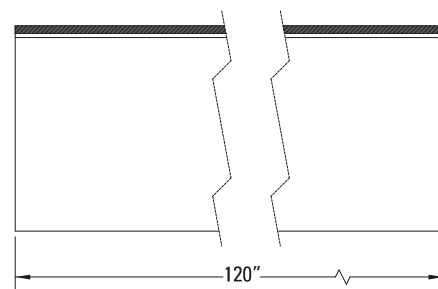
ASTM & Code Standards

- ASTM A653/653M, A924/924M, A1003/1003M, C645 & C754
- ASTM E 1966: Standard Test Methods of Fire Tests of Firestop Systems
- UL 2079 Tests For Fire Resistance of Building Joints
- ASTM E-119 Standard Test Methods for Fire Tests of Building Construction and Material
- Sound Tested in accordance with ASTM E90-09
- Air leakage tests conducted for compliance with Section 713.6 of IBC and CBC

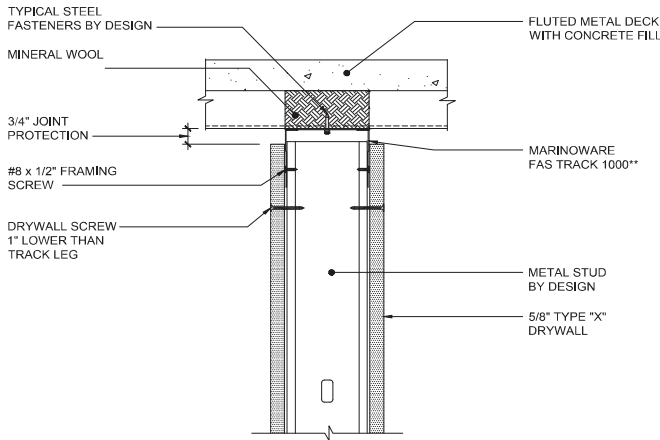


LEED v4 for Building and Design Construction

- MR Prerequisite: Construction and Demolition Waste Management Planning
- MR: Credit: Construction and Demolition Waste Management
- MR Credit: Building Product Disclosure and Optimization - Sourcing of Raw Materials, Option 2
- MR Credit: Building Product Disclosure and Optimization - Environmental Product Declarations, Options 1 & 2
- MR Credit: Building Product Disclosure and Optimization - Material Ingredients, Option 1
- MR Credit: Building Life-Cycle Impact Reduction, Option 4

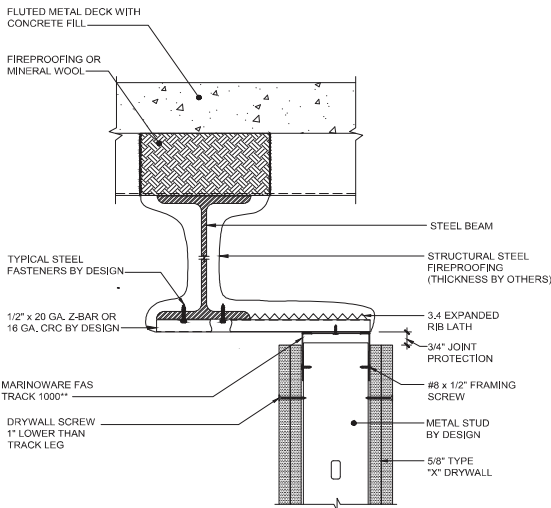


HW-D-0518 1 HR. STANDARD WALL, PERPENDICULAR TO FLUTED DECK



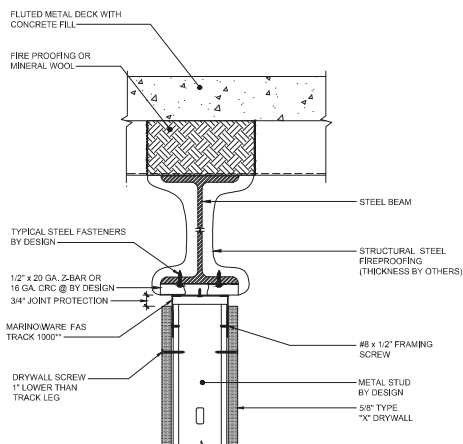
*NOTE: SINGLE LAYER OF 5/8" TYPE "X" DRYWALL FOR 1 HOUR FIRE RATING, 2 LAYERS FOR 2 HOUR

HW-D-0652 2 HR. STANDARD WALL, CANTILEVERED UNDER BEAM*



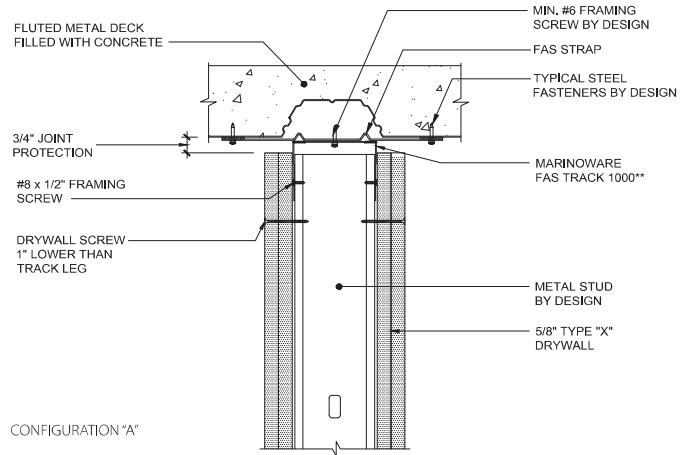
*NOTE: SINGLE LAYER OF 5/8" TYPE "X" DRYWALL FOR 1 HOUR FIRE RATING, 2 LAYERS FOR 2 HOUR

HW-D-0551 1 HR. CENTERED DIRECTLY UNDER BEAM



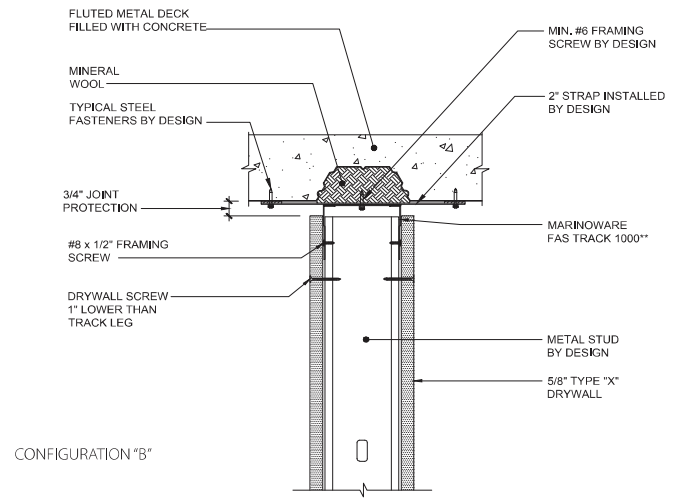
*NOTE: SINGLE LAYER OF 5/8" TYPE "X" DRYWALL FOR 1 HOUR FIRE RATING, 2 LAYERS FOR 2 HOUR

HW-D-0524 2 HR. PARALLEL & DIRECTLY UNDER DECK FLUTE



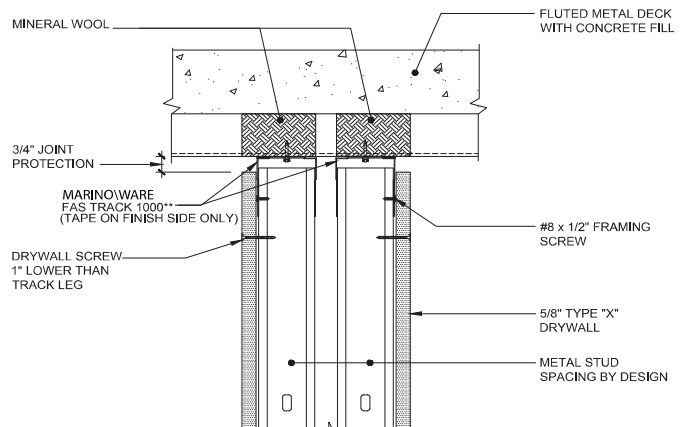
*NOTE: SINGLE LAYER OF 5/8" TYPE "X" DRYWALL FOR 1 HOUR FIRE RATING, 2 LAYERS FOR 2 HOUR

HW-D-0524 1 HR. PARALLEL & DIRECTLY UNDER DECK FLUTE



*NOTE: SINGLE LAYER OF 5/8" TYPE "X" DRYWALL FOR 1 HOUR FIRE RATING, 2 LAYERS FOR 2 HOUR

HW-D-0553 1 HR. CHASE WALL, PERPENDICULAR TO FLUTED DECK



*NOTE: SINGLE LAYER OF 5/8" TYPE "X" DRYWALL FOR 1 HOUR FIRE RATING, 2 LAYERS FOR 2 HOUR

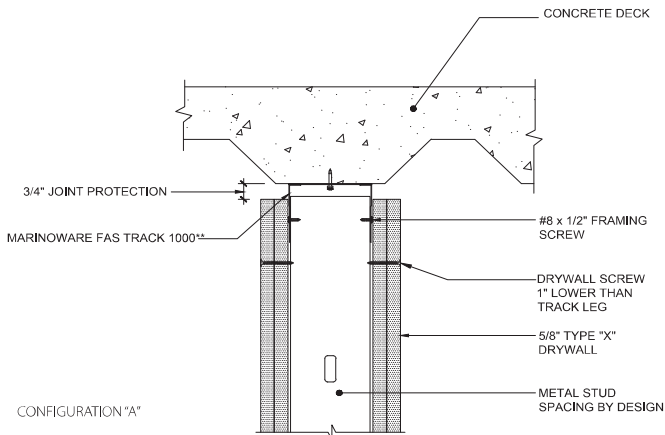
** If the IBC requires UL-2079 5th edition, additional fill material may be needed in the deflection joint

Always check UL Fire resistance directory for complete design requirements.

For more information, please contact MarinoWARE® Technical Services at 866.545.1545

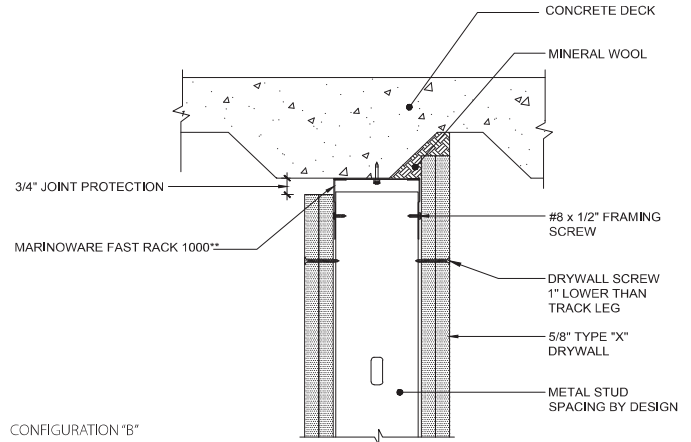
This technical information reflects the most current information available and supersedes any and all previous publications effective December 7, 2023 | MW-Joint Firestopping Catalog I ©WARE Industries, Inc. 2023

HW-D-0620 2 HR. PARALLEL & DIRECTLY UNDER FLUTED DECK



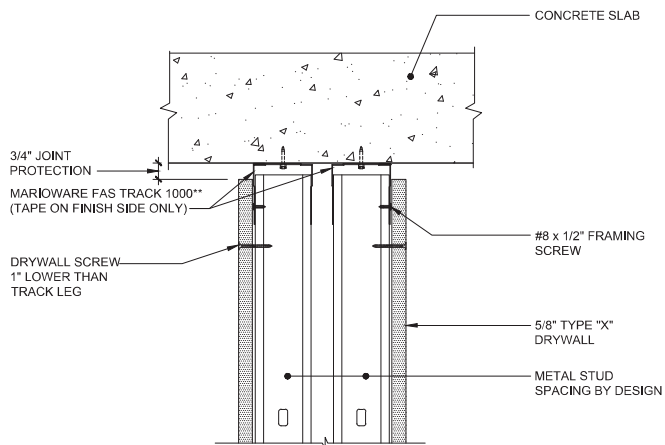
*NOTE: SINGLE LAYER OF 5/8" TYPE "X" DRYWALL FOR 1 HOUR FIRE RATING, 2 LAYERS FOR 2 HOUR

HW-D-0620 2 HR. PARALLEL & OFFSET UNDER FLUTED DECK



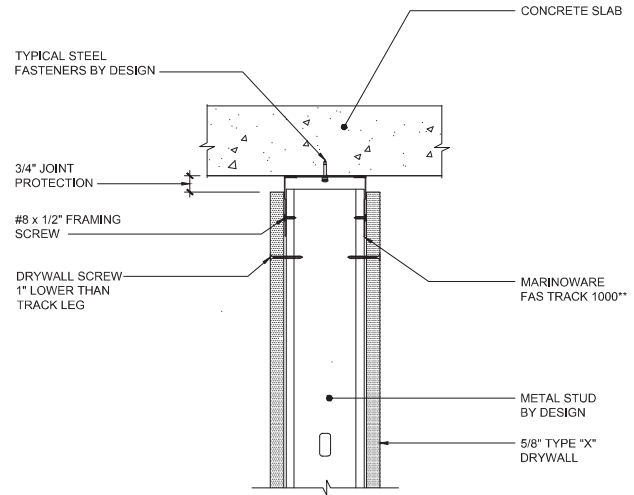
*NOTE: SINGLE LAYER OF 5/8" TYPE "X" DRYWALL FOR 1 HOUR FIRE RATING, 2 LAYERS FOR 2 HOUR

HW-D-0554 1 HR. STANDARD CHASE WALL, CONCRETE SLAB



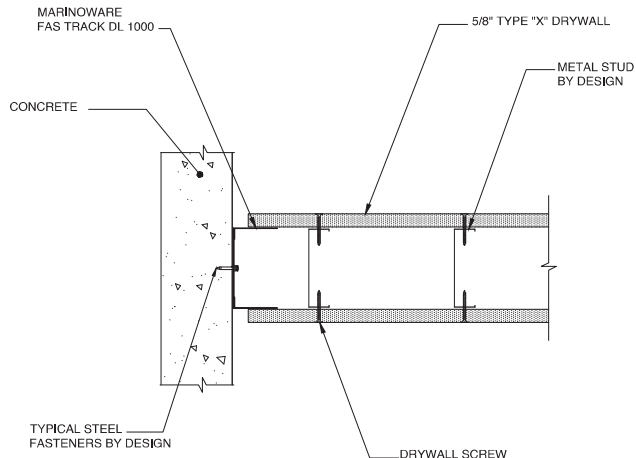
*NOTE: SINGLE LAYER OF 5/8" TYPE "X" DRYWALL FOR 1 HOUR FIRE RATING, 2 LAYERS FOR 2 HOUR

HW-D-0624 1 HR. CONCRETE SLAB-FLAT TAPE & JOINT COMPOUND



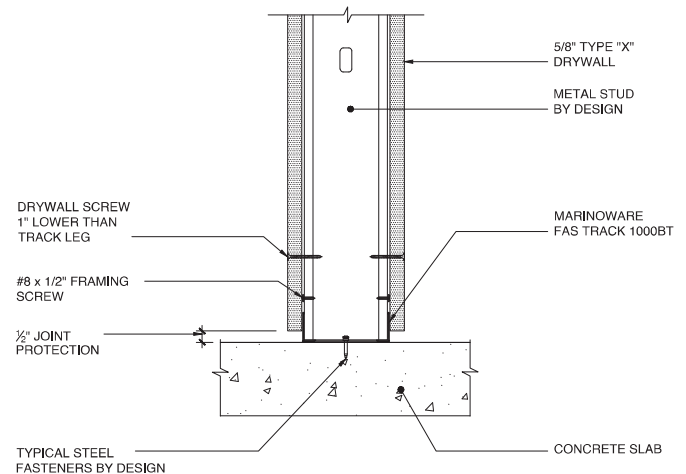
*NOTE: SINGLE LAYER OF 5/8" TYPE "X" DRYWALL FOR 1 HOUR FIRE RATING, 2 LAYERS FOR 2 HOUR

WW-D-0104 1 HR. VERTICAL TIE-IN TO CONCRETE SLAB



*NOTE: SINGLE LAYER OF 5/8" TYPE "X" DRYWALL FOR 1 HOUR FIRE RATING, 2 LAYERS FOR 2 HOUR

BW-S-0024 1 HR. BOTTOM WALL STATIC JOINT



*NOTE: SINGLE LAYER OF 5/8" TYPE "X" DRYWALL FOR 1 HOUR FIRE RATING, 2 LAYERS FOR 2 HOUR

** If the IBC requires UL-2079 5th edition, additional fill material may be needed in the deflection joint

For more information, please contact MarinoWARE® Technical Services at 866.545.1545

This technical information reflects the most current information available and supersedes any and all previous publications effective December 7, 2023 | MW-Joint Firestopping Catalog I ©WARE Industries, Inc. 2023