

## FAS VERTICAL DRIFT JOINT (VDJ)

MANUFACTURED BY **CEMCO**

### Description

FAS Vertical Drift Joint (VDJ) is a composite steel/intumescent corner bead with 2 layers of factory applied intumescent tape applied to the longer leg of the accessory. The intumescent strips work as a compression gasket to prevent the passage fire, smoke and sound between the metal stud drywall panels and the panel and or drywall encased around the aluminum window mullion. The FAS Vertical Drift Joint (VDJ) is tested and certified with UL according to UL-2079 and will provide unencumbered drift and vertical movement between the adjoining wall panels. The profile is fabricated from hot-dipped galvanized steel complying with ASTM A653, and ASTM A1003 Grade 33 Type H for 33 ksi yield strength steel for 25 gauge (18 mil).

Patent Pending

### ASTM's & Code Standards

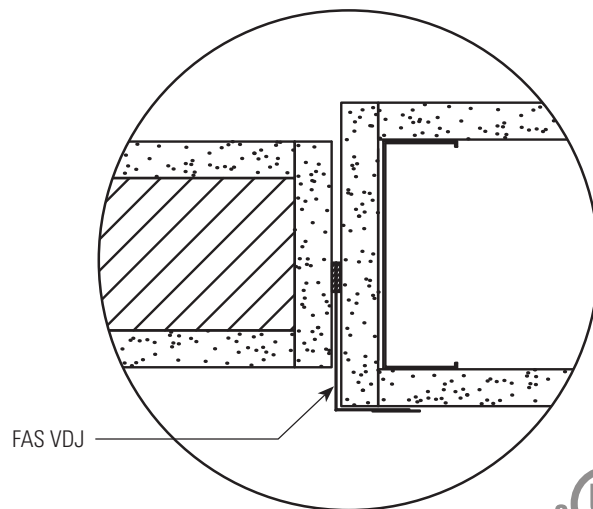
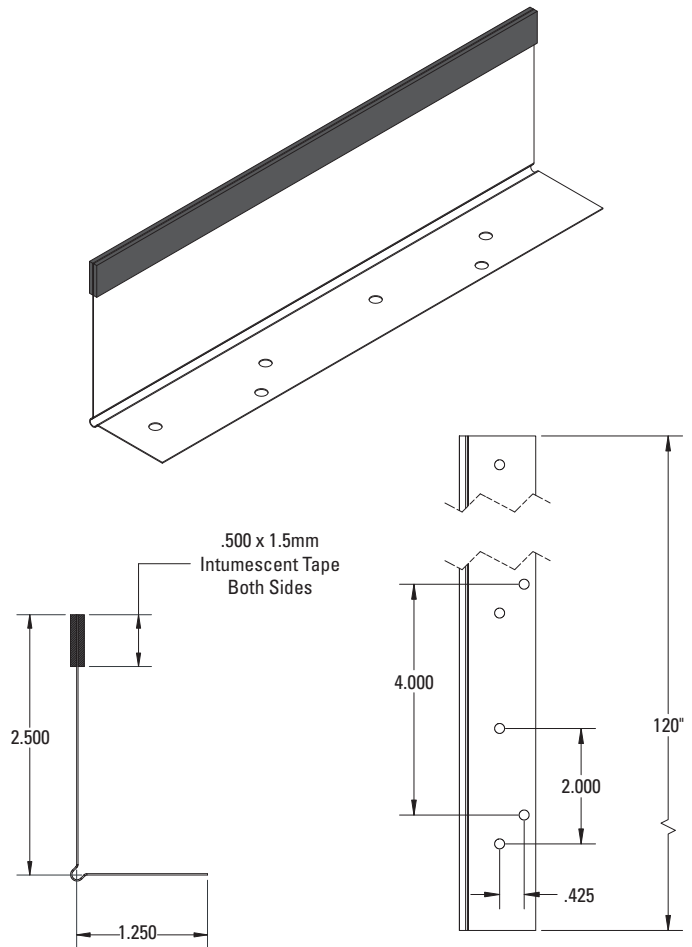
- ASTM A653, C645, A1003, A924
- ASTM E 1966: Standard Test Method of Fire Tests of Firestop Systems
- UL 2079 Tests For Fire Resistance of Building Joints
- ASTM E-119 Standard Test Methods for Fire Tests of Building Construction and Material
- Air leakage tests conducted for compliance with Section 713.6 of IBC and CBC

### LEED v4 for Building and Design Construction

- MR Prerequisite: Construction and Demolition Waste Management Planning.
- MR Credit: Construction and Demolition Waste Management.
- MR Credit: Building Product Disclosure and Optimization – Sourcing of Raw Materials, Option 2.
- MR Credit: Building Product Disclosure and Optimization – Environmental Product Declarations, Options 1 & 2.
- MR Credit: Building Product Disclosure and Optimization – Material Ingredients, Option 1.
- MR Credit: Building Life-Cycle Impact Reduction, Option 4.

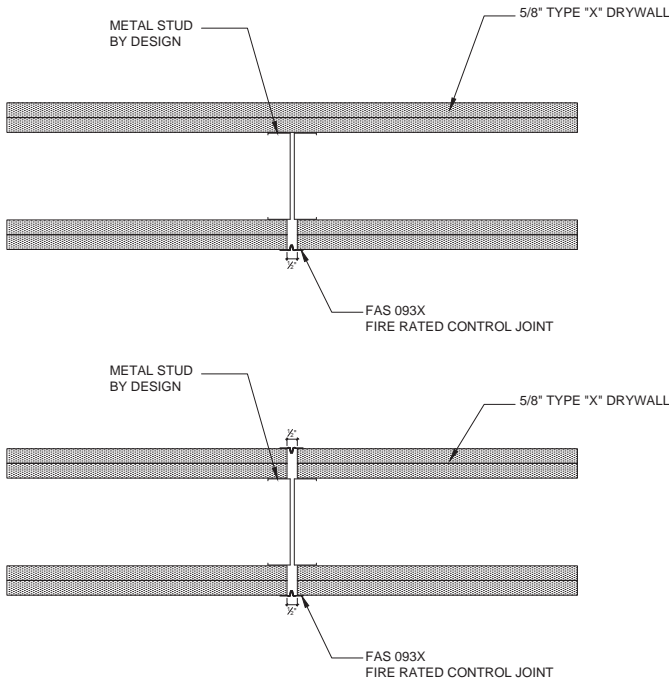
### CEMCO cold-formed steel framing products contain 30% to 37% recycled steel

- Total Recycled Content: 36.9%
- Post-Consumer: 19.8%
- Pre-Consumer: 14.4%



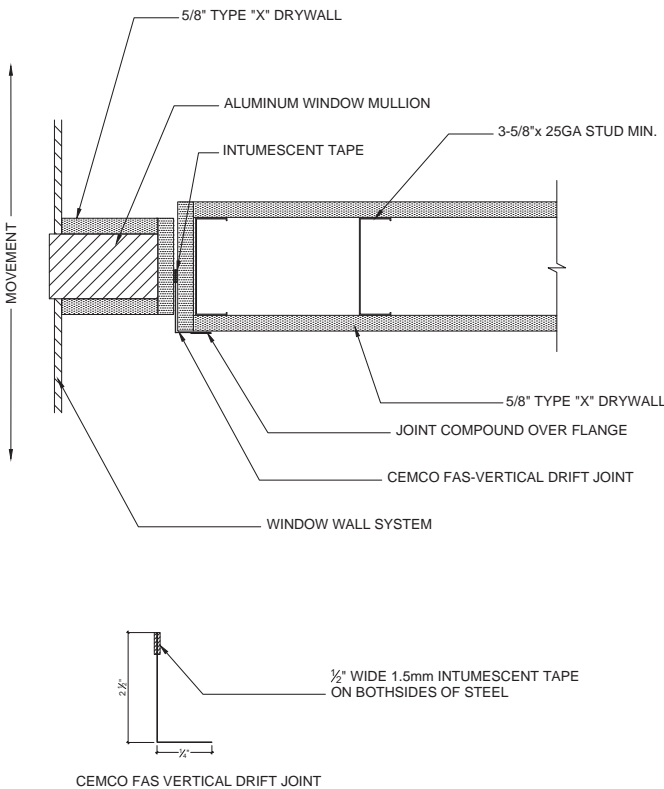
Wall to Wall

## WW-D-0172 2 HR. VERTICAL JOINT FAS 093X



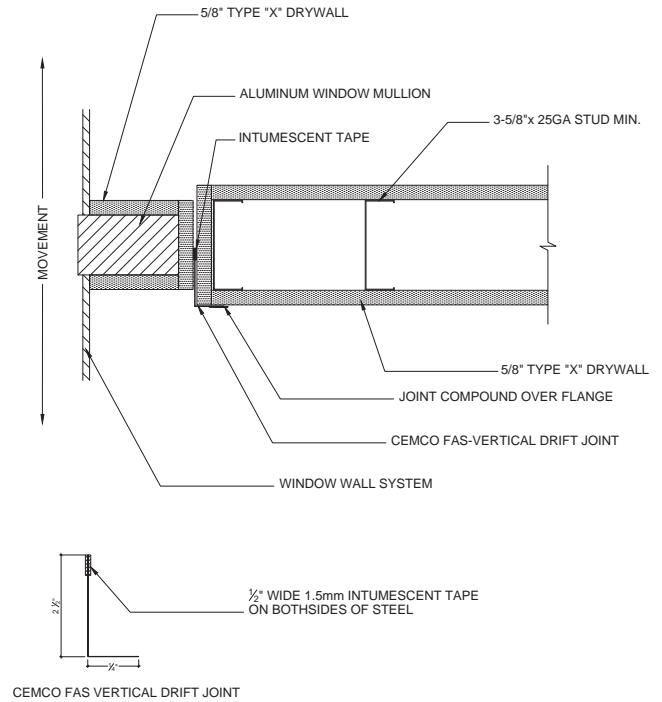
\*NOTE: SINGLE LAYER OF 5/8" TYPE "X" DRYWALL FOR 1 HOUR FIRE RATING, 2 LAYERS FOR 2 HOUR

## WW-D-0182 1 HR. VERTICAL DRIFT JOINT FAS-VDJ



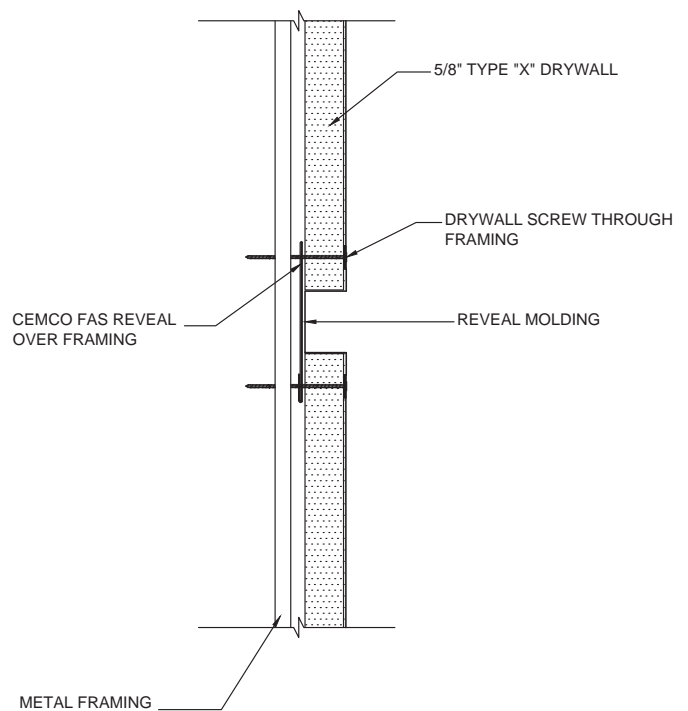
\*NOTE: SINGLE LAYER OF 5/8" TYPE "X" DRYWALL FOR 1 HOUR FIRE RATING, 2 LAYERS FOR 2 HOUR

## WW-D-0182 1 HR. WINDOW WALL TO WALL VERTICAL DRIFT JOINT



\*NOTE: SINGLE LAYER OF 5/8" TYPE "X" DRYWALL FOR 1 HOUR FIRE RATING, 2 LAYERS FOR 2 HOUR

## WW-S-0076 1 HR. FAS REVEAL



\*NOTE: SINGLE LAYER OF 5/8" TYPE "X" DRYWALL FOR 1 HOUR FIRE RATING, 2 LAYERS FOR 2 HOUR