



**Product Description**

**Marino\WARE FIRE BEAD** is a surface mounted deflection bead tested to UL 2079. It provides 1 & 2 hour firestop solutions in joints for both standard and shaft wall assemblies.

- 🔴 Tested with up to 50% compression.
- 🔴 Remains flexible for the life of the assembly.
- 🔴 Can be used in top-of-wall, bottom-of-wall, and vertical joints.
- 🔴 Installs fully cured, unaffected by water/moisture/temperature.
- 🔴 Combines a vinyl bubble gasket, a perforated mud leg and intumescent strip to provide an aesthetically pleasing joint in exposed locations.
- 🔴 Provides a single step installation of both a code compliant firestop and finished drywall accessory in a single component.
- 🔴 Installs on the face of the drywall with a perforated mud leg incorporated to accept joint compound.
- 🔴 Easily installs using spray adhesive and staples.
- 🔴 Sound Transmission Classification (STC) ratings supported by two separate compressible sealing points. One against the deck and the other against the steel framing. STC ratings match the performance of acoustic sealant.
- 🔴 Paintable.

**Ordering / Packaging**

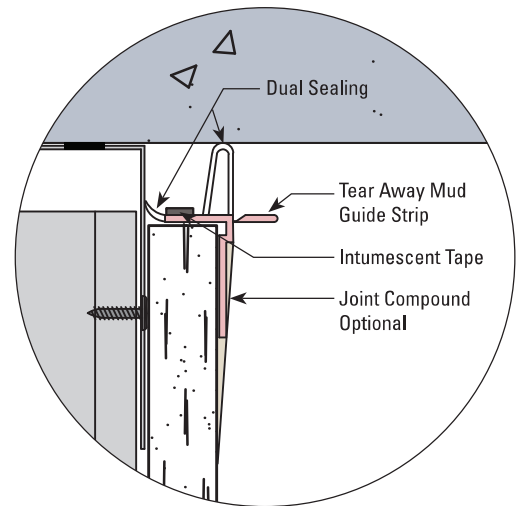
Description	Part #	Size	Length	Pcs/Ctn	Movement	Submitted for Review/Use	✓
FIRE BEAD (1 hour)	FB1	1/2" x 5/8"	10'	30	1/2" total	FB1	
FIRE BEAD (2 hour)	FB2	1/2" x 1-1/4"	10'	22	1/2" total	FB2	

**Storage / Warranty**

- 🔴 When stored indoors and kept dry in the original package, FireBead will provide unlimited shelf life.
- 🔴 See Firestop Product Warranty for details.

**ASTM & Code Standards**

- 🔴 ASTM E-84
- 🔴 ASTM E-90
- 🔴 ASTM E-1966
- 🔴 UL 2079 5th Edition
- 🔴 Cal State Fire (BML) 1451-2376:0004
- 🔴 L-Rating (air leakage) testing for compliance with International Building Code (IBC) and Canadian Building Code (CBC).
- 🔴 UL listings/approvals include: BW-S-0024; HW-D-0550, HW-D-0554; HW-D-0624; HW-S-0128; WWW-D-0104; WWW-D-0172
- 🔴 **U.S. Patent No. 11,111,666; 11,873,636**



**Always check UL Fire resistance directory for complete design requirements.**

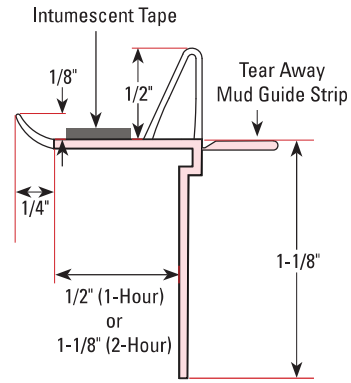
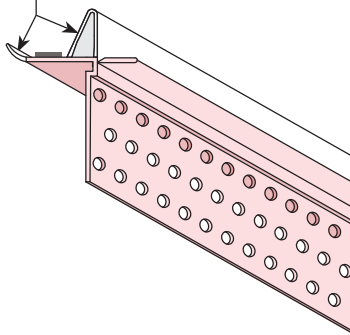
For more information, please contact Marino\WARE® Technical Services at 866.545.1545

This technical information reflects the most current information available and supersedes any and all previous publications effective

July 18, 2025 | MW\_Firestop\_Catalog | ©WARE Industries, Inc. 2025

**FB1/FB2**

Flexible Material 70 Durometer



← View the installation video!



← View the installation guide!



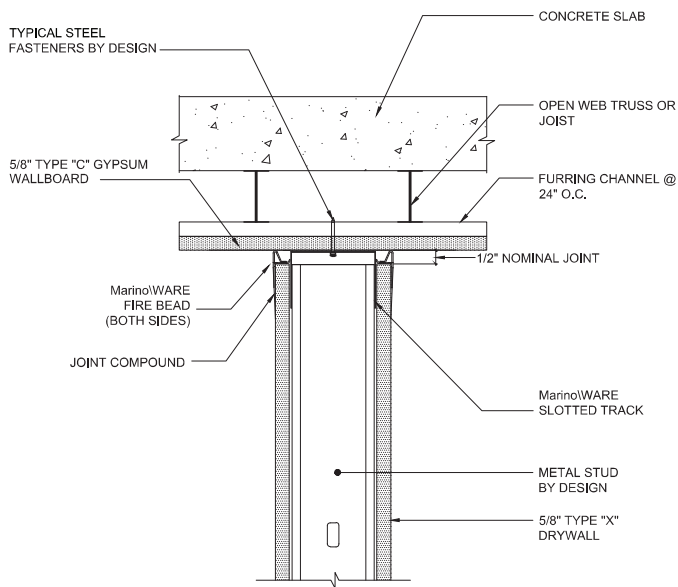
**Always check UL Fire resistance directory for complete design requirements.**

For more information, please contact MarinoWARE® Technical Services at 866.545.1545

This technical information reflects the most current information available and supersedes any and all previous publications effective

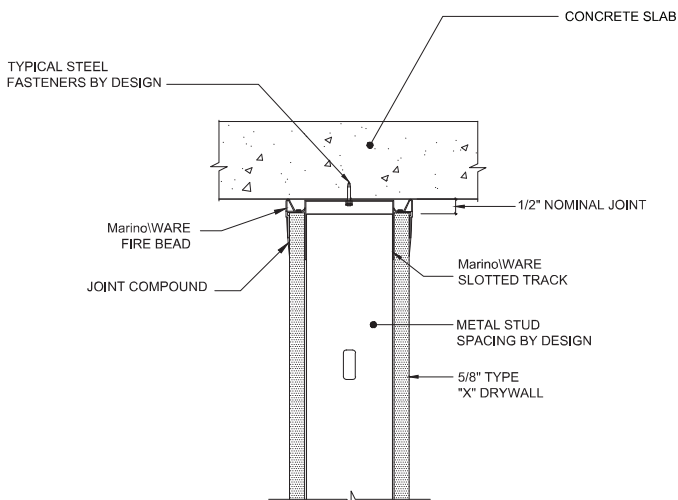
July 18, 2025 | MW\_Firestop\_Catalog | ©WARE Industries, Inc. 2025

**HW-D-0550 1HR STANDARD WALL, GYPSUM WALLBOARD CEILING**



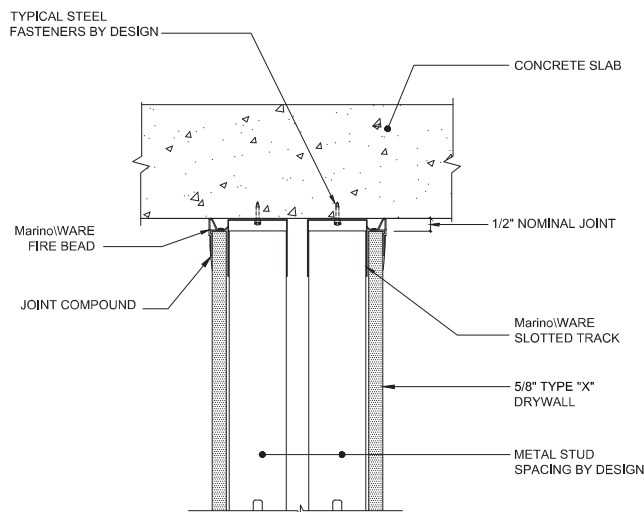
\*NOTE: SINGLE LAYER OF 5/8" TYPE "X" DRYWALL FOR 1 HOUR FIRE RATING, 2 LAYERS FOR 2 HOUR

**HW-D-0624 1HR STANDARD WALL, CONCRETE DECK**



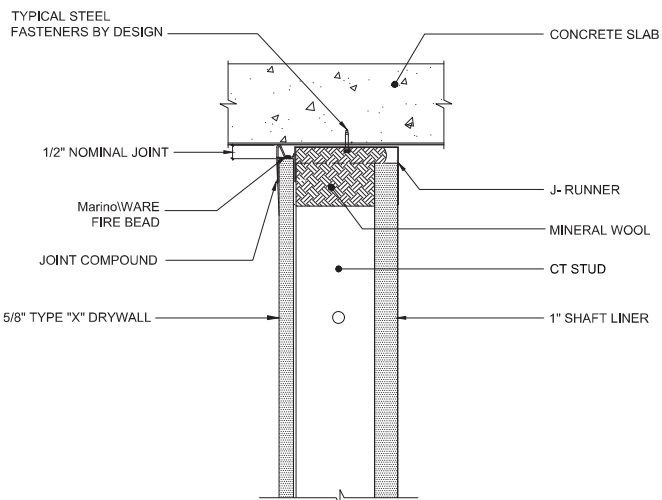
\*NOTE: SINGLE LAYER OF 5/8" TYPE "X" DRYWALL FOR 1 HOUR FIRE RATING, 2 LAYERS FOR 2 HOUR

**HW-D-0554 1HR STANDARD CHASE WALL, CONCRETE SLAB**



\*NOTE: SINGLE LAYER OF 5/8" TYPE "X" DRYWALL FOR 1 HOUR FIRE RATING, 2 LAYERS FOR 2 HOUR

**HW-D-0625 1HR SHAFT WALL, CONCRETE SLAB**



CONFIGURATION "A"

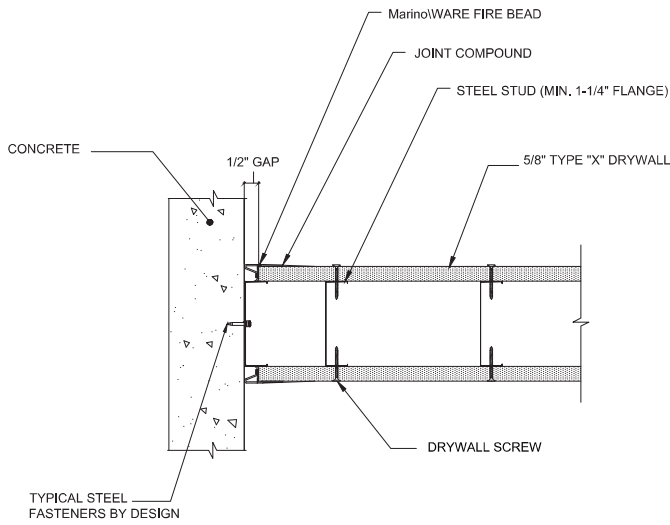
\*NOTE: SINGLE LAYER OF 5/8" TYPE "X" DRYWALL FOR 1 HOUR FIRE RATING, 2 LAYERS FOR 2 HOUR

Always check UL Fire resistance directory for complete design requirements.

For more information, please contact MarinoWARE® Technical Services at 866.545.1545

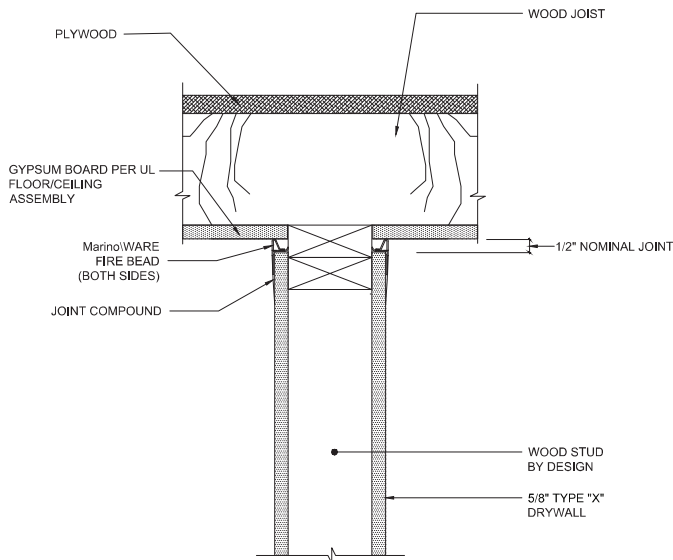
This technical information reflects the most current information available and supersedes any and all previous publications effective July 18, 2025 | MW\_Firestop\_Catalog | ©WARE Industries, Inc. 2025

**WW-D-0104 1HR VERTICAL TIE-IN TO CONCRETE SLAB**



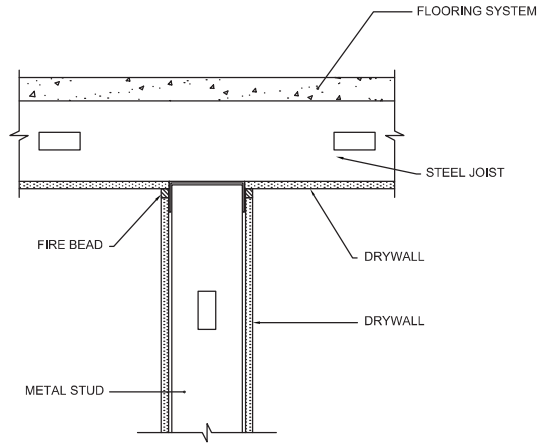
\*NOTE: SINGLE LAYER OF 5/8" TYPE "X" DRYWALL FOR 1 HOUR FIRE RATING, 2 LAYERS FOR 2 HOUR

**HW-S-0128 FIRE BEAD FOR WOOD FRAMING**



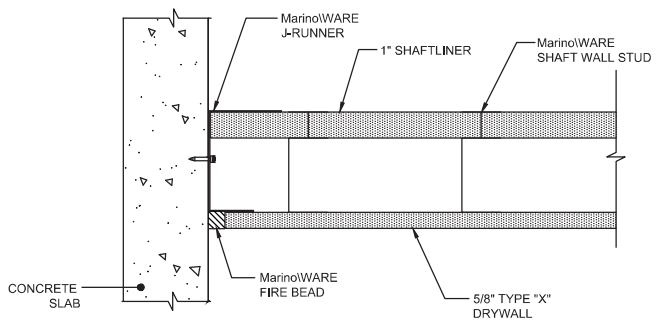
\*NOTE: SINGLE LAYER OF 5/8" TYPE "X" DRYWALL FOR 1 HOUR FIRE RATING, 2 LAYERS FOR 2 HOUR

**HW-S-0128 STEEL JOIST FLOORING**



\*NOTE: SINGLE LAYER OF 5/8" TYPE "X" DRYWALL FOR 1 HOUR FIRE RATING, 2 LAYERS FOR 2 HOUR

**WW-S-0094 SHAFT WALL VERTICAL JOINT**



\*NOTE: SINGLE LAYER OF 5/8" TYPE "X" DRYWALL FOR 1 HOUR FIRE RATING, 2 LAYERS FOR 2 HOUR

**Always check UL Fire resistance directory for complete design requirements.**

For more information, please contact MarinoWARE® Technical Services at 866.545.1545

This technical information reflects the most current information available and supersedes any and all previous publications effective

July 18, 2025 | MW\_Firestop\_Catalog I ©WARE Industries, Inc. 2025