



Product Description

MarinoWARE FIRE GASKET is composed of a vinyl frame with a bubble gasket and intumescent strip that is tested to UL 2079. It provides 1 & 2 hour firestop solutions in joints for both standard and shaft wall assemblies.

- 🔴 Tested with up to 100% compression AND 100% extension.
- 🔴 Remains flexible for life of the assembly.
- 🔴 Can be used in top-of-wall, bottom-of-wall, and vertical joints.
- 🔴 Can be installed to the track leg before or after attaching the track to the deck.
- 🔴 Installs fully cured, unaffected by water/moisture/temperature.
- 🔴 L-rating (smoke rating) of below 1 CFM.
- 🔴 For use in assemblies with STC Ratings up to 67.
- 🔴 No additional firestop sealant or spray required over metal deck mineral wool flute fillers.
- 🔴 Available in pink for use in concealed locations and black for exposed locations.
- 🔴 Paintable.

Ordering / Packaging

Description	Part #	Size	Length	Pcs/Ctn	Movement	Submitted for Review/Use	✓
FIRE GASKET .5 (Pink)	FG.5	3/8" x 1-1/4"	5'	60	1/2" total	FG.5	
FIRE GASKET .5 (Black)*	FGB.5	3/8" x 1-1/4"	5'	60	1/2" total	FGB.5	
FIRE GASKET 1 (Pink)	FG1	3/8" x 1-5/8"	5'	60	1" total	FG1	
FIRE GASKET 1 (Black)*	FGB1	3/8" x 1-5/8"	5'	60	1" total	FGB1	
FIRE GASKET 1.5 (Pink)	FG1.5	3/8" x 2-1/4"	5'	50	1-1/2" total	FG1.5	
FIRE GASKET 1.5 (Black)*	FGB1.5	3/8" x 2-1/4"	5'	50	1-1/2" total	FGB1.5	

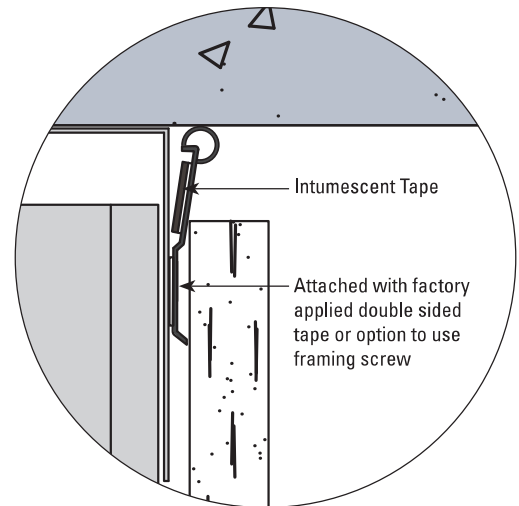
*Special Order

Storage / Warranty

- 🔴 When stored indoors and kept dry in the original package, Fire Gasket will provide unlimited shelf life.
- 🔴 See Firestop Product Warranty for details.

ASTM & Code Standards

- 🔴 ASTM E-84
- 🔴 ASTM E-1966
- 🔴 UL 2079 5th Edition
- 🔴 Cal State Fire (BML) 1451-2376:0004
- 🔴 L-Rating (air leakage) testing for compliance with International Building Code (IBC) and Canadian Building Code (CBC).
- 🔴 UL listings/approvals include: BW-S-0024; BW-S-0053; HW-D-0514, HW-D-0515; HW-D-0518; HW-D-0524; HW-D-0525; HW-D-0550; HW-D-0551; HW-D-0553; HW-D-0554; HW-D-0573; HW-D-0585; HS-D-0587; HW-D-0596; HW-D-0620; HW-D-0621; HW-D-0622; HW-D-0623; HW-D-0624; HW-D-0625; HW-D-0652; HW-D-0653; WW-D-0104; WW-S-0094
- 🔴 **U.S. Patent No. 10,246,871; 10,753,084; 10,954,670**



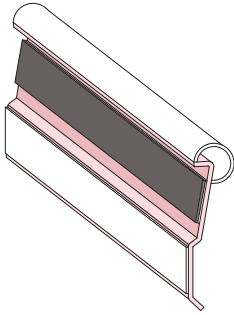
Always check UL Fire resistance directory for complete design requirements.

For more information, please contact MarinoWARE® Technical Services at 866.545.1545

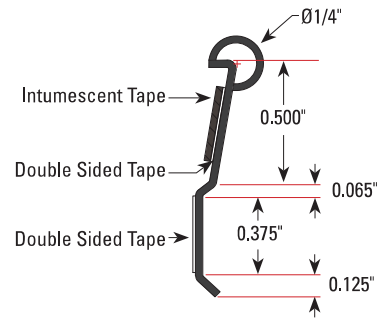
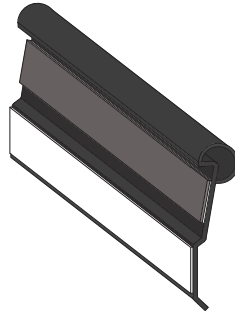
This technical information reflects the most current information available and supersedes any and all previous publications effective

July 18, 2025 | MW_Firestop_Catalog | ©WARE Industries, Inc. 2025

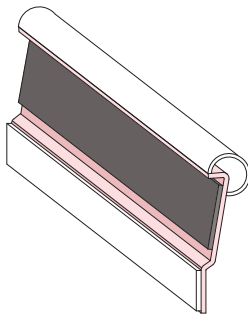
FG.5



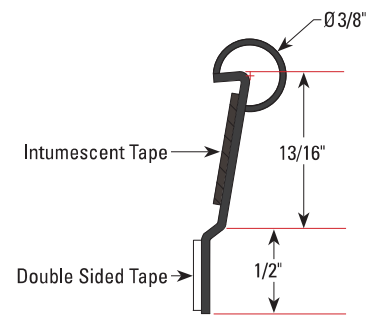
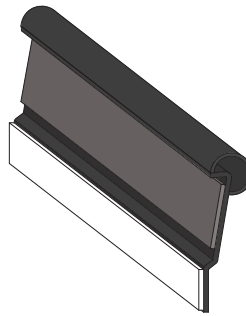
FGB.5



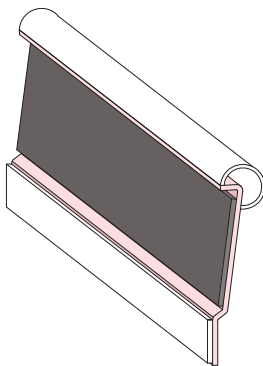
FG1



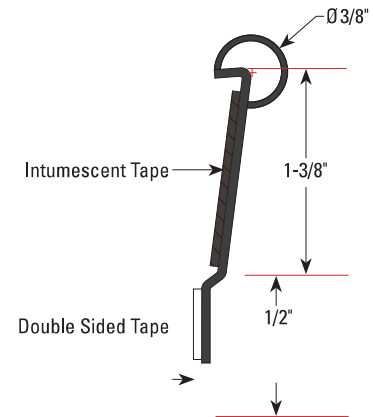
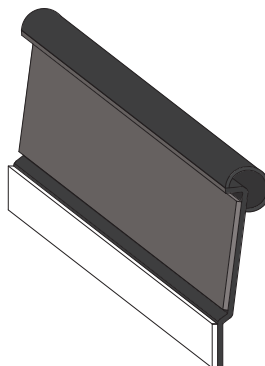
FGB1



FG1.5



FGB1.5



← View the installation video!



← View the installation guide!

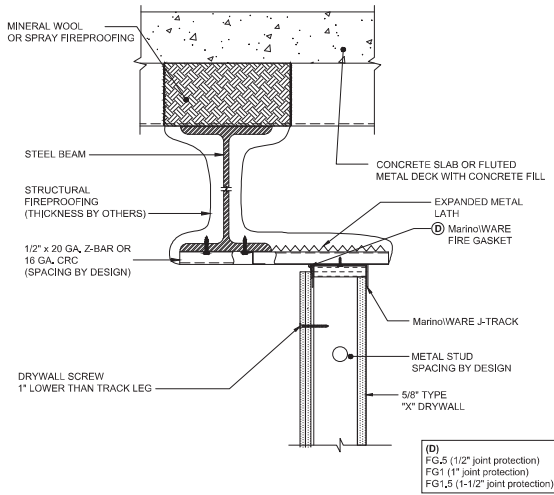
Always check UL Fire resistance directory for complete design requirements.

For more information, please contact MarinoWARE® Technical Services at 866.545.1545

This technical information reflects the most current information available and supersedes any and all previous publications effective

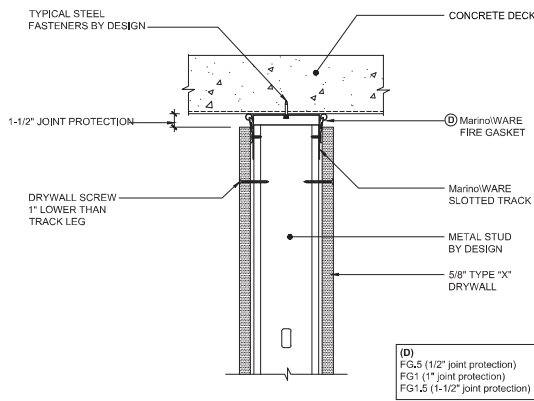
July 18, 2025 | MW_Firestop_Catalog | ©WARE Industries, Inc. 2025

HW-D-0653 SHAFT WALL CANTILEVER UNDER BEAM

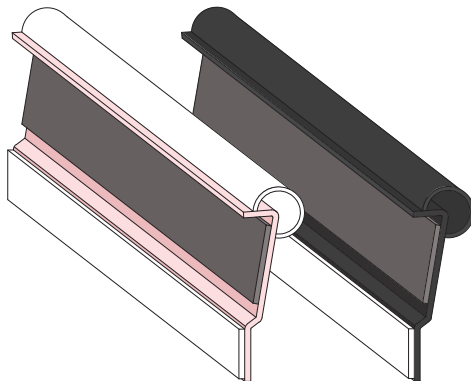


*NOTE: SINGLE LAYER OF 5/8\"/>

HW-D-0515 CONCRETE SLAB

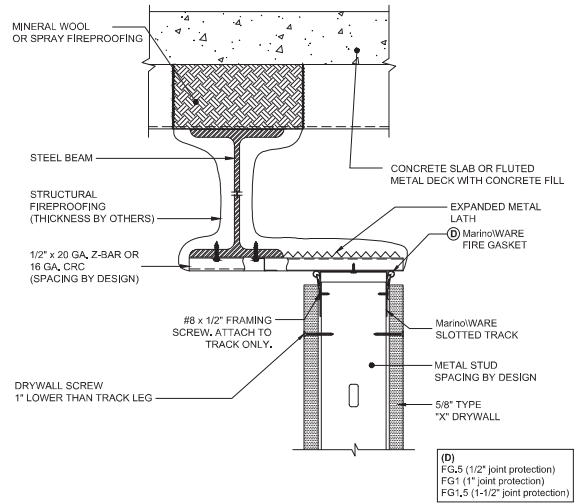


*NOTE: SINGLE LAYER OF 5/8\"/>



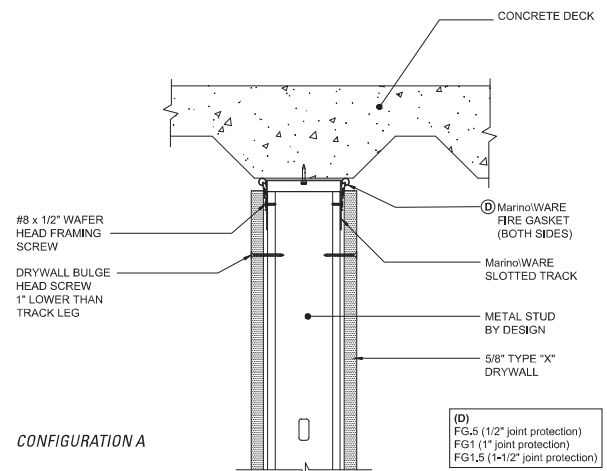
NEW FG.5 & FG1 Now Available
in Solid Black!
** special order*

HW-D-0652 CANTILEVER UNDER STEEL I-BEAM



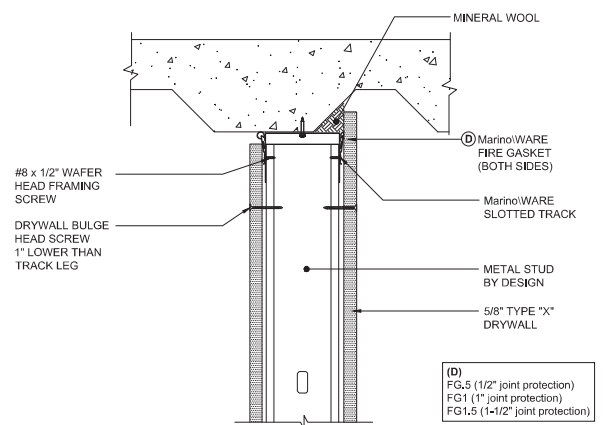
*NOTE: SINGLE LAYER OF 5/8\"/>

HW-D-0620 PARALLEL OFFSET UNDER PAN DECK



*NOTE: SINGLE LAYER OF 5/8\"/>

HW-D-0620 PARALLEL UNDER PAN DECK



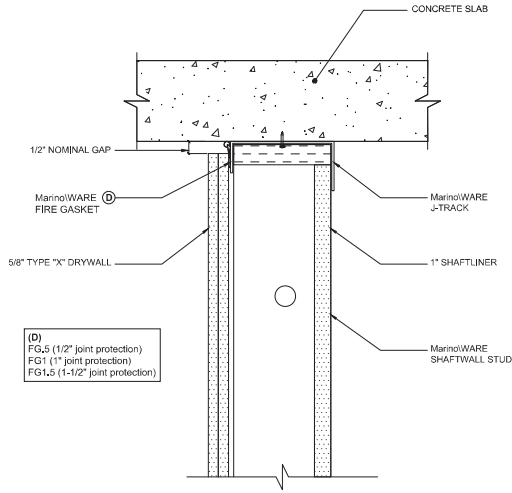
*NOTE: SINGLE LAYER OF 5/8\"/>

Always check UL Fire resistance directory for complete design requirements.

For more information, please contact MarinoWARE® Technical Services at 866.545.1545

This technical information reflects the most current information available and supersedes any and all previous publications effective July 18, 2025 | MW_Firestop_Catalog I ©WARE Industries, Inc. 2025

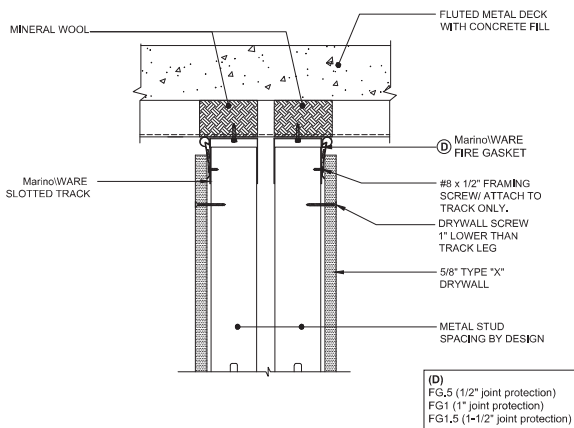
HW-D-0585 SHAFT-WALL AT CONCRETE



(D)
FG.5 (1/2" joint protection)
FG1 (1" joint protection)
FG1.5 (1-1/2" joint protection)

*NOTE: SINGLE LAYER OF 5/8" TYPE "X" DRYWALL FOR 1 HOUR FIRE RATING, 2 LAYERS FOR 2 HOUR

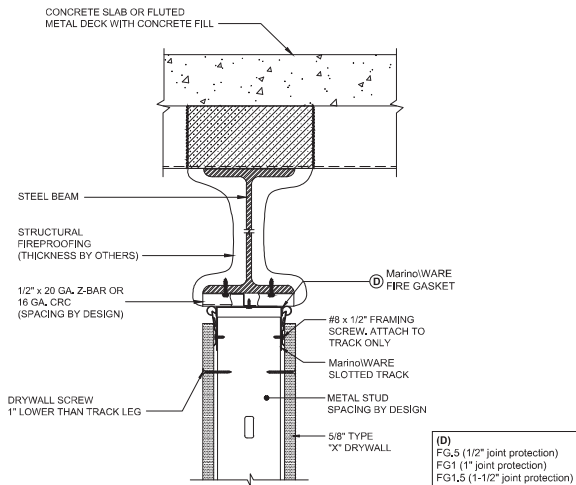
HW-D-0553 CHASE WALL AT PAN DECK



(D)
FG.5 (1/2" joint protection)
FG1 (1" joint protection)
FG1.5 (1-1/2" joint protection)

*NOTE: SINGLE LAYER OF 5/8" TYPE "X" DRYWALL FOR 1 HOUR FIRE RATING, 2 LAYERS FOR 2 HOUR

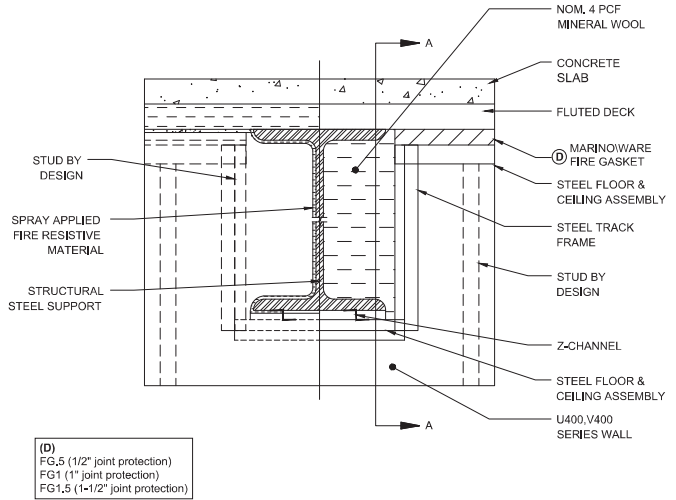
HW-D-0551 CENTERED DIRECTLY UNDER BEAM



(D)
FG.5 (1/2" joint protection)
FG1 (1" joint protection)
FG1.5 (1-1/2" joint protection)

*NOTE: SINGLE LAYER OF 5/8" TYPE "X" DRYWALL FOR 1 HOUR FIRE RATING, 2 LAYERS FOR 2 HOUR

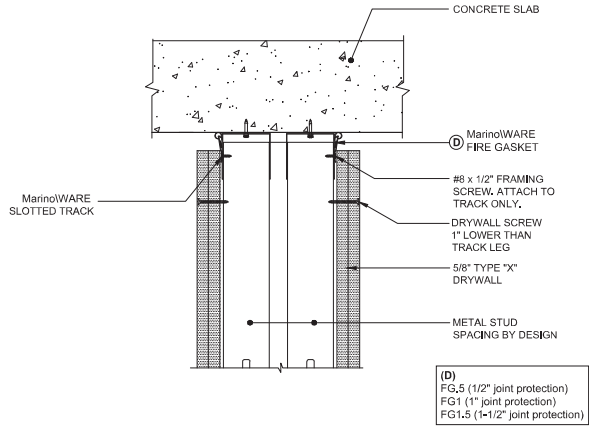
HW-D-0573 PERPENDICULAR I-BEAM PENETRATION



(D)
FG.5 (1/2" joint protection)
FG1 (1" joint protection)
FG1.5 (1-1/2" joint protection)

*NOTE: SINGLE LAYER OF 5/8" TYPE "X" DRYWALL FOR 1 HOUR FIRE RATING, 2 LAYERS FOR 2 HOUR

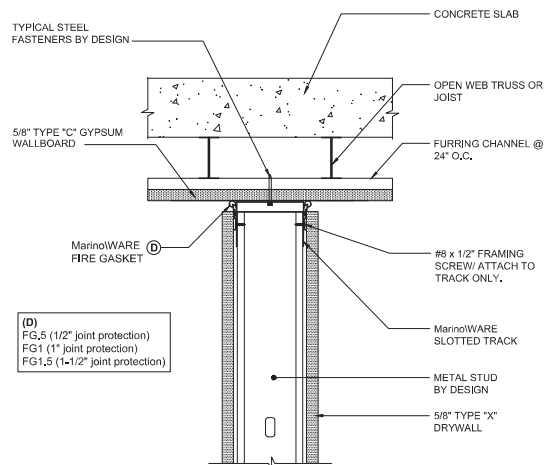
HW-D-0554 CHASE WALL AT CONCRETE SLAB



(D)
FG.5 (1/2" joint protection)
FG1 (1" joint protection)
FG1.5 (1-1/2" joint protection)

*NOTE: SINGLE LAYER OF 5/8" TYPE "X" DRYWALL FOR 1 HOUR FIRE RATING, 2 LAYERS FOR 2 HOUR

HW-D-0550 GYPSUM WALLBOARD CEILING



(D)
FG.5 (1/2" joint protection)
FG1 (1" joint protection)
FG1.5 (1-1/2" joint protection)

*NOTE: SINGLE LAYER OF 5/8" TYPE "X" DRYWALL FOR 1 HOUR FIRE RATING, 2 LAYERS FOR 2 HOUR

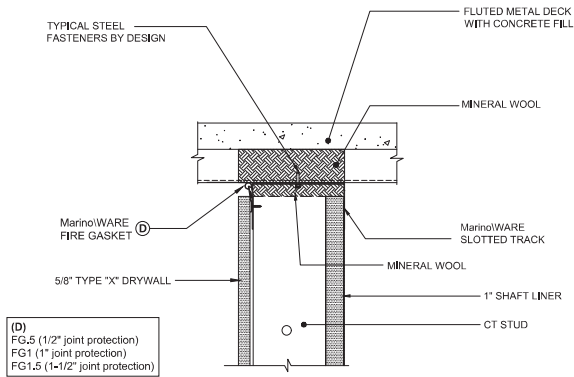
Always check UL Fire resistance directory for complete design requirements.

For more information, please contact MarinoWARE® Technical Services at 866.545.1545

This technical information reflects the most current information available and supersedes any and all previous publications effective

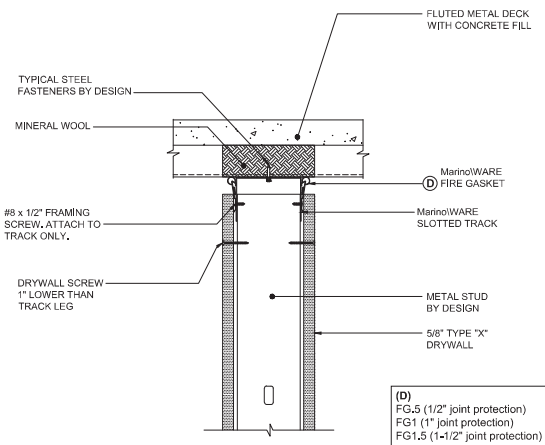
July 18, 2025 | MW_Firestop_Catalog | ©WARE Industries, Inc. 2025

HW-D-0525 SHAFT-WALL FLUTED DECK



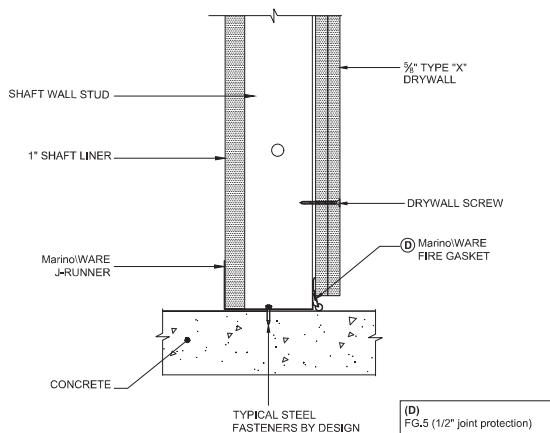
*NOTE: SINGLE LAYER OF 5/8" TYPE "X" DRYWALL FOR 1 HOUR FIRE RATING, 2 LAYERS FOR 2 HOUR

HW-D-0518 PERPENDICULAR TO FLUTED DECK



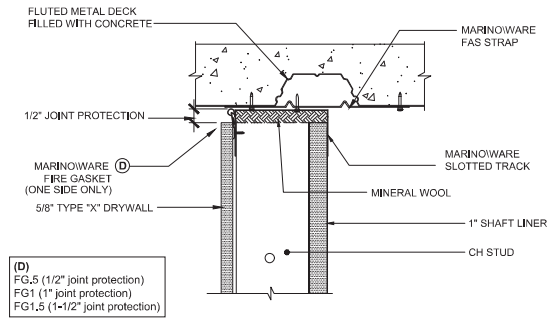
*NOTE: SINGLE LAYER OF 5/8" TYPE "X" DRYWALL FOR 1 HOUR FIRE RATING, 2 LAYERS FOR 2 HOUR

BW-S-0053 SHAFT WALL- BOTTOM OF WALL



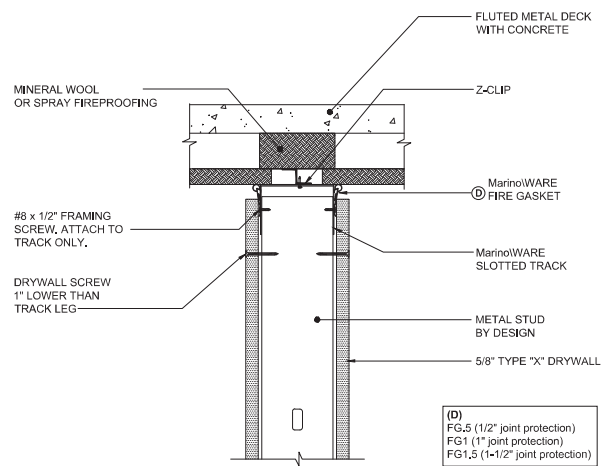
*NOTE: SINGLE LAYER OF 5/8" TYPE "X" DRYWALL FOR 1 HOUR FIRE RATING, 2 LAYERS FOR 2 HOUR

HW-D-0587 SHAFT WALL PARALLEL TO FLUTE (FAS STRAP)



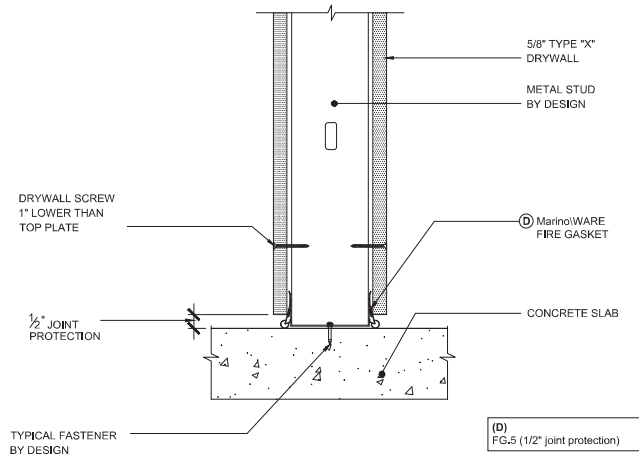
*NOTE: SINGLE LAYER OF 5/8" TYPE "X" DRYWALL FOR 1 HOUR FIRE RATING, 2 LAYERS FOR 2 HOUR

HW-D-0514 PERPENDICULAR FLUTED DECK WITH FIREPROOFING



*NOTE: SINGLE LAYER OF 5/8" TYPE "X" DRYWALL FOR 1 HOUR FIRE RATING, 2 LAYERS FOR 2 HOUR

BW-S-0024 BOTTOM TRACK STATIC JOINT



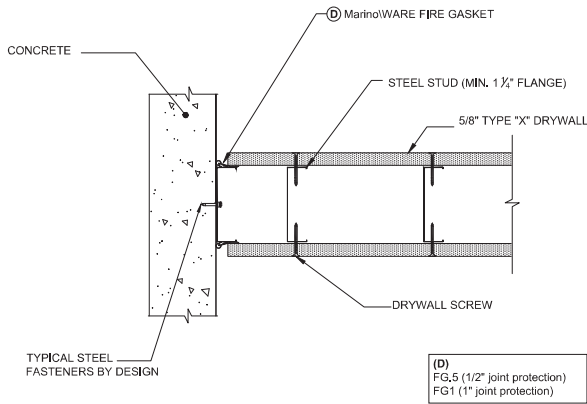
*NOTE: SINGLE LAYER OF 5/8" TYPE "X" DRYWALL FOR 1 HOUR FIRE RATING, 2 LAYERS FOR 2 HOUR

Always check UL Fire resistance directory for complete design requirements.

For more information, please contact MarinoWARE® Technical Services at 866.545.1545

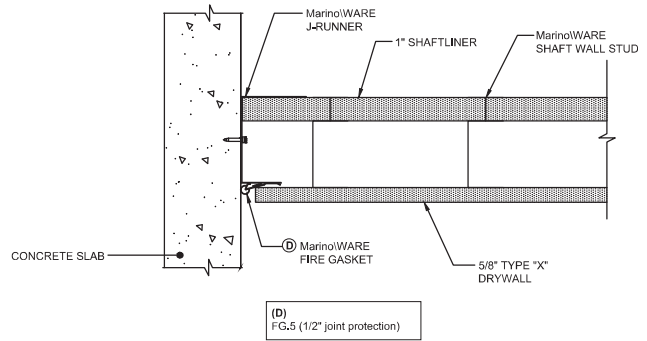
This technical information reflects the most current information available and supersedes any and all previous publications effective July 18, 2025 | MW_Firestop_Catalog I ©WARE Industries, Inc. 2025

WW-D-0104 STANDARD WALL VERTICAL JOINT TO CONCRETE COLUMN



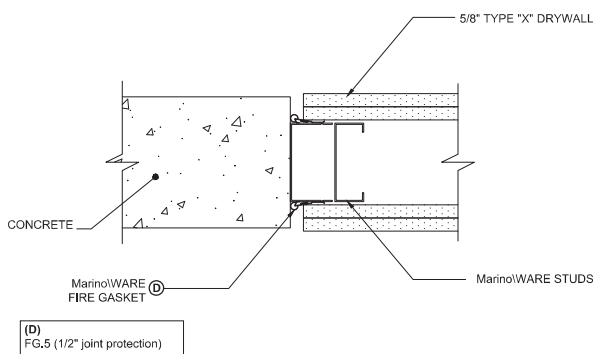
*NOTE: SINGLE LAYER OF 5/8" TYPE "X" DRYWALL FOR 1 HOUR FIRE RATING, 2 LAYERS FOR 2 HOUR

WW-S-0094 SHAFT WALL VERTICAL JOINT

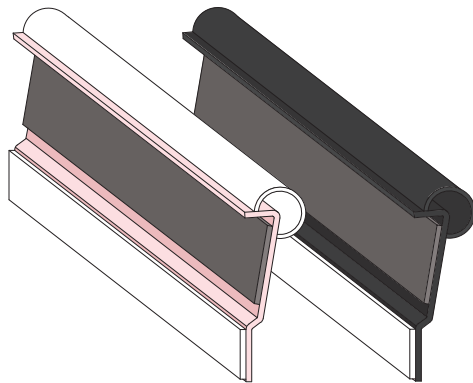
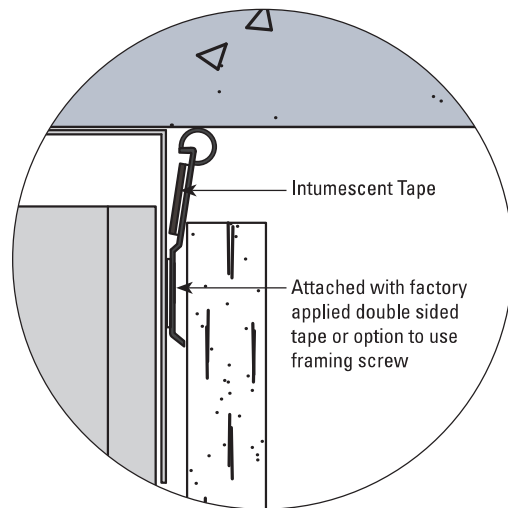


*NOTE: SINGLE LAYER OF 5/8" TYPE "X" DRYWALL FOR 1 HOUR FIRE RATING, 2 LAYERS FOR 2 HOUR

WW-S-0057 STANDARD WALL VERTICAL WALL TIE-IN TO CONCRETE COLUMN



*NOTE: SINGLE LAYER OF 5/8" TYPE "X" DRYWALL FOR 1 HOUR FIRE RATING, 2 LAYERS FOR 2 HOUR



← Scan or click the code to view the installation video!

Scan or click → the code to view the installation guide!



NEW FG.5 & FG1 Now Available in Solid Black!
* special order

Always check UL Fire resistance directory for complete design requirements.

For more information, please contact MarinoWARE® Technical Services at 866.545.1545

This technical information reflects the most current information available and supersedes any and all previous publications effective

July 18, 2025 | MW_Firestop_Catalog I ©WARE Industries, Inc. 2025