

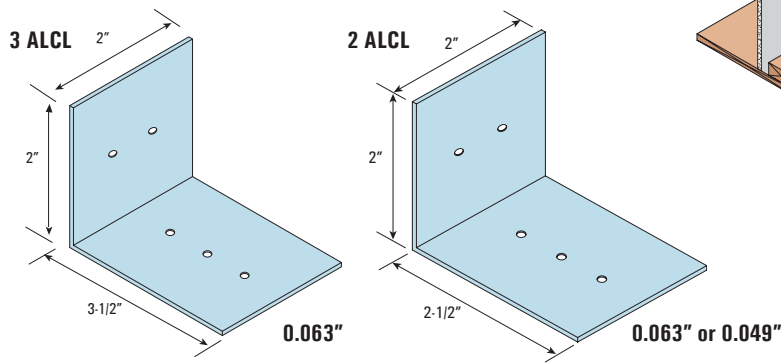
## BREAKAWAY CLIP (BA)

Breakaway Clips are manufactured from aluminum and designed to melt under extreme heat allowing a fire damaged structure to collapse while permitting the fire wall to remain in place to protect adjacent units.

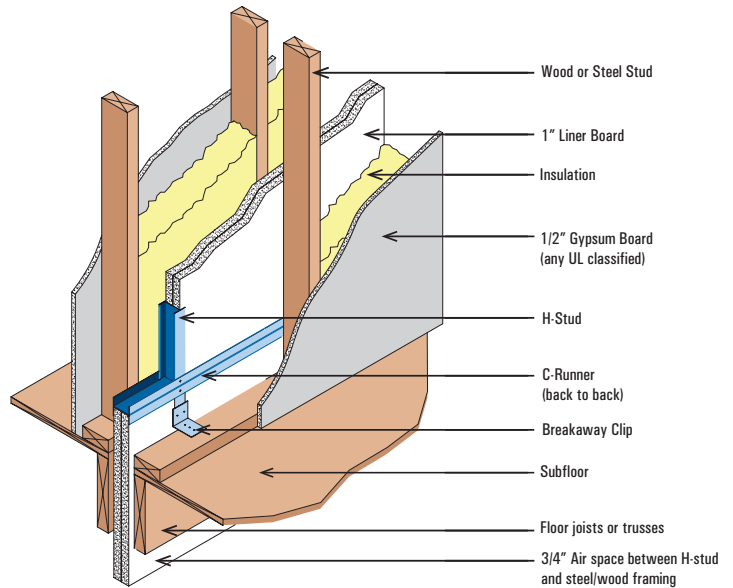
**MATERIAL:** Aluminum .063" or 0.049"

**INSTALLATION:**

- Must be used in conjunction with Area Separation Wall Systems.
- Attach the Breakaway Clip to the completed Area Separation Wall Assembly.
- One Clip should be located at each side of each H Stud.
- Fasten BA Clip to H Stud with a screw through pre-punched holes.
- Attach to wood or steel adjacent framing with nails or screws respectively.



### WALL SECTION ASSEMBLY



## GenieClip® SOUND ISOLATION CLIP

### AN INNOVATIVE AND RELIABLE SOUND SOLUTION

Engineered for superior acoustical performance in reducing the transmission of airborne and impact sound through wall and floor/ceiling assemblies. The GenieClip® is a unibody molded rubber and galvanized steel mount used to attach Gypsum Wallboard (GWB) to either wall or floor/ceiling assemblies. Made from recycled components, and engineered to allow reduction in assembly weight, the GenieClip contributed to LEED certified building.



- 40 UL certifications
- Over 150 independent laboratory and field test reports
- Installation instructions
- Complete laboratory test reports and field data
- Technical papers
- Performance comparisons Cost analysis
- Case studies
- Private website for engineers
- LEED information and carbon footprint analysis
- Technical binder request
- Local Sales support in U.S., U.K., Canada, Middle East and Southeast Asia

**\*\*Only install on 25 gauge hemmed furring channel\*\***