

Marino\WARE® Product Submittal Data

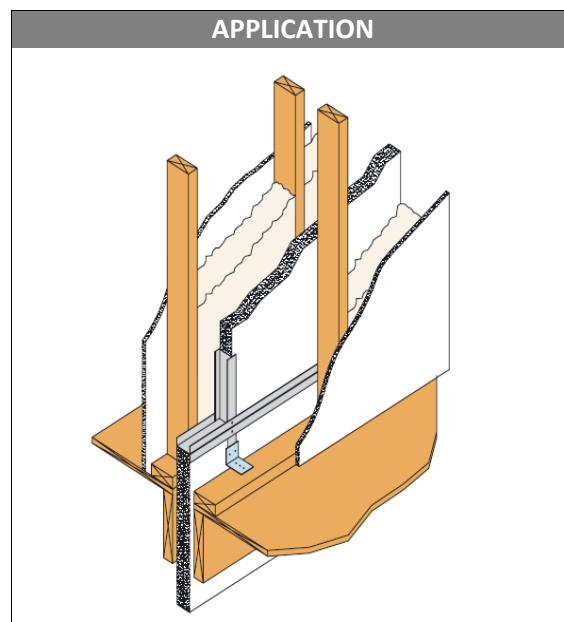
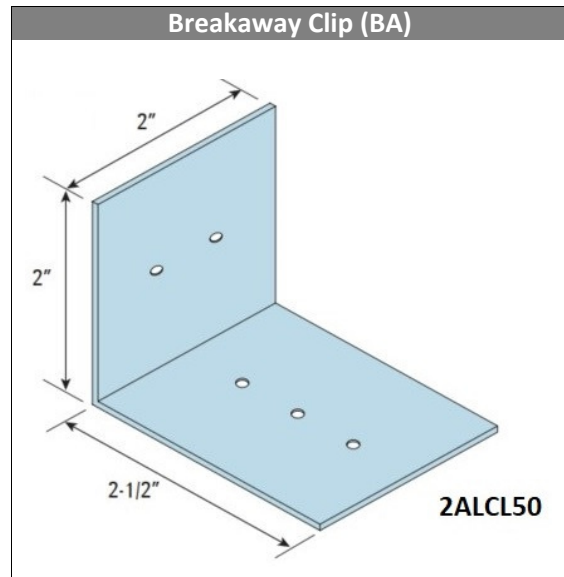
MARINO\WARE PART # Breakaway Clip (BA)
2.5 inch (2ALCL50)

MATERIAL: Aluminum .049"

INSTALLATION:

1. Used in conjunction with Area Separation Wall Systems.
2. One clip attached to each side of H Stud.
3. Fasten with screw through hole in BA clip to stud.

*For use in UL U375 & U347



ClipSource™