

BRIDGING & BRACING CONNECTORS

BRIDGERITE CLIP (BR)

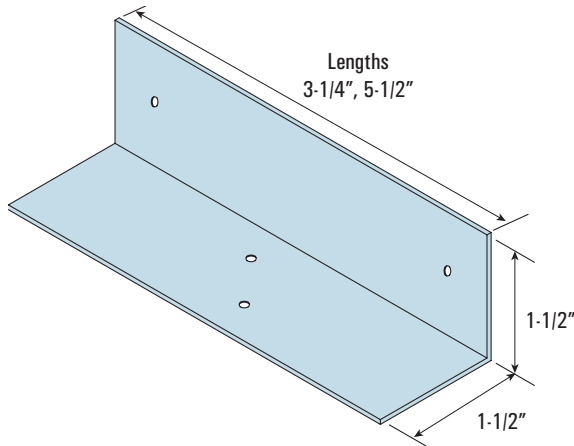
BridgeRite Clips are ready for use to attach cold rolled channel to wall studs. This easy to use clip will save time and money from having to cut longer length angles down to size.

MATERIAL: 16 ga (54) 50ksi

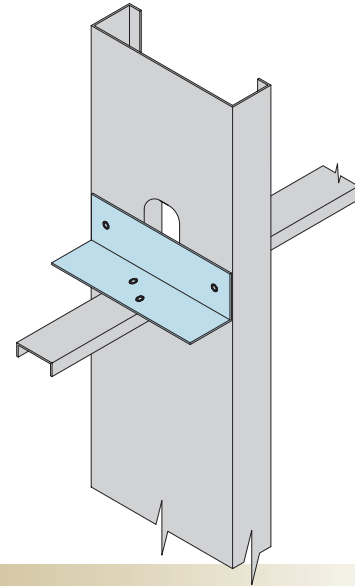
FINISH: Galvanized – G90

INSTALLATION:

- Attach BridgeRite clip to web of stud and cold rolled channel #10 - 16 screws through pre-punched holes.



Model No.	Size	Box Quantity
BRC3	3-1/4", 4"	100
BRC6	6", 8"	100



COILED STRAP (CS)

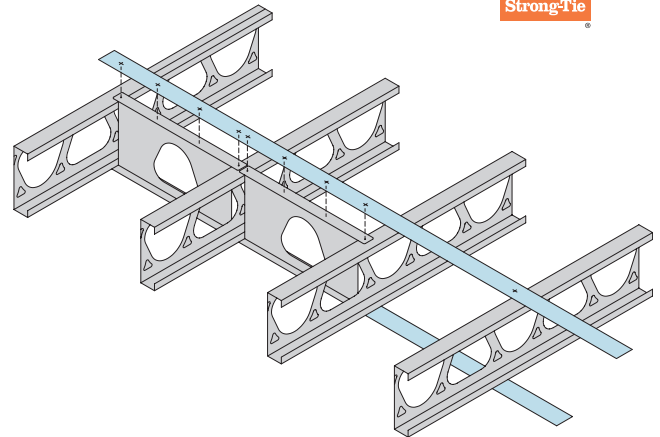
CS are continuous utility straps which can be cut to length on the job site. Packaged in lightweight (about 40 pounds) cartons.

MATERIAL: 33 mil (20 ga), 43 mil (18 ga) & 54 mil (16 ga)

FINISH: Galvanized – G90

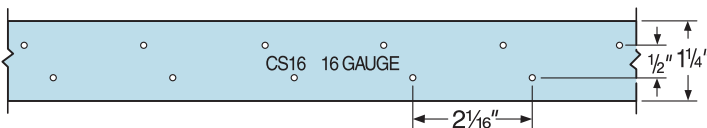
INSTALLATION:

- Use all specified fasteners.
- Refer to the applicable code for minimum edge and end distances.
- The table shows the maximum allowable loads and the screws required to obtain them. See footnote #1. Fewer screws may be used; reduce the allowable load by the code lateral load for each fastener subtracted from each end.



Typical CS installation as a floor-to-floor tie

Coiled Strap



Model No.	Length	Material Thickness (mil/ga)	Width	Fasteners (Total) Rafter/Stud/Joist Thickness			Allowable Tension Loads 33 mil (20ga), 43 mil (18ga) & 54 mil (16ga)	
				33 mil (20ga)	43 mil (18ga)	54 mil (16ga)	(100)	(133)
CS16	150'	54 (16ga)	1-1/4"	18 -#10	12 -#10	8 -#10	1550	2560
CS18	200'	43 (18ga)	1-1/4"	14 -#10	10 -#10	6 -#10	1235	4015
CS20	250'	33 (20ga)	1-1/4"	12 -#10	8 -#10	6 -#10	945	2665

Notes:

1. Use half of the fasteners in each member being connected to achieve the listed loads.
2. For CS straps: End Length (inches) = 1/2 total fasteners + 1".
3. Total Cut Length = End Length + Clear Span + End Length.
4. For a reduced number of screws, allowable load = (#screws used/#screws in table) x table load.
5. Loads are based on lesser of steel strap capacity and 2001 AISI NASPEC fastener calculation.
6. Tabulated loads shown at (100) do not include steel stress increase.
Tabulated loads shown at (133) include a 1/3 stress increase on the steel.

For more information, please contact MarinoWARE® Technical Services at 866.545.1545

This technical information reflects the most current information available and supersedes any and all previous publications effective August 30, 2018 | CAT_FRC_REV_5_03242017 | © WARE Industries, Inc. 2018