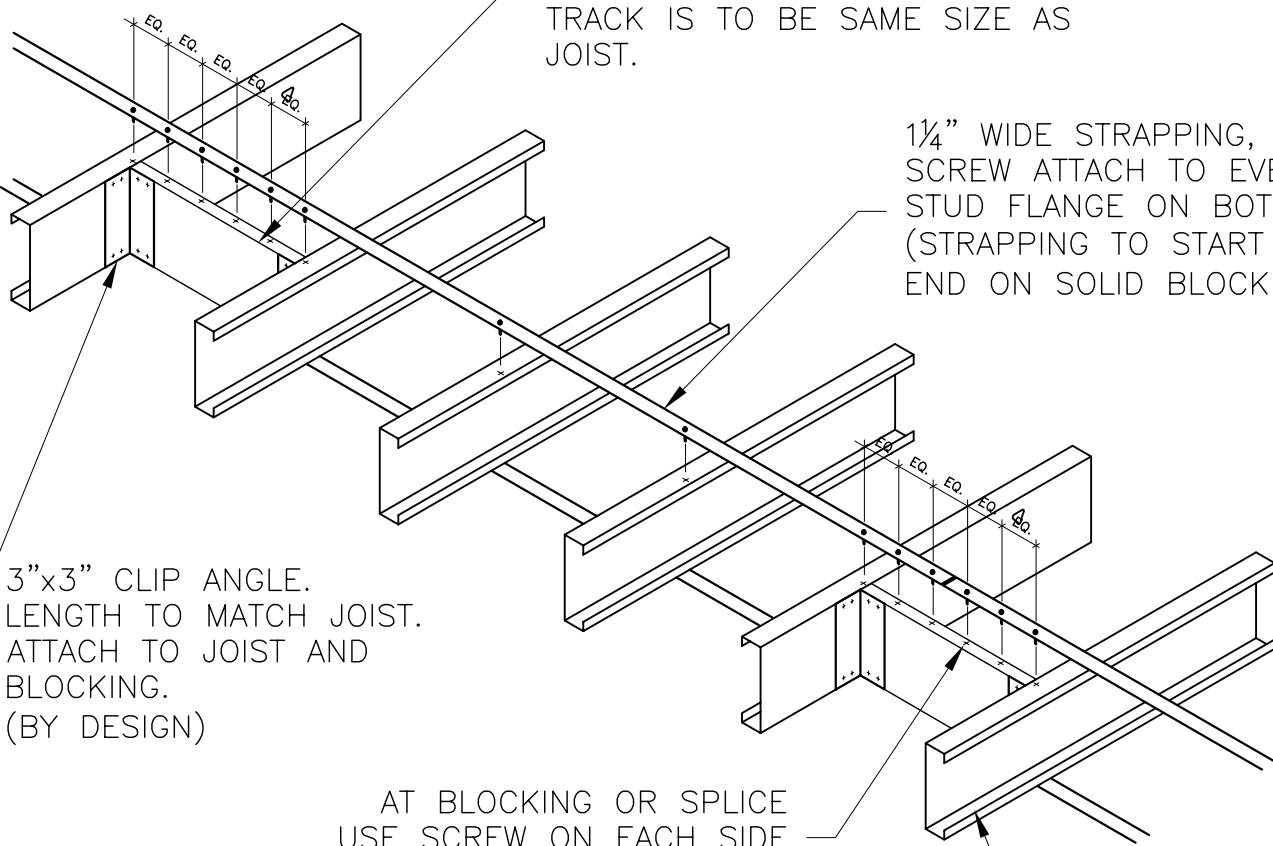


NOTE:
IF TOP CHORD IS
CONTINUOUSLY SHEATHED
TOP STRAP IS NOT REQ'D.

MIN. 18 GA RUNNER TRACK
SOLID BLOCKING @ 10'-0" o.c.
TRACK IS TO BE SAME SIZE AS
JOIST.

1 1/4" WIDE STRAPPING,
SCREW ATTACH TO EVERY
STUD FLANGE ON BOTH SIDES
(STRAPPING TO START &
END ON SOLID BLOCKING)



3"x3" CLIP ANGLE.
LENGTH TO MATCH JOIST.
ATTACH TO JOIST AND
BLOCKING.
(BY DESIGN)

AT BLOCKING OR SPLICE
USE SCREW ON EACH SIDE
OF BLOCKING.

CONVENTIONAL
"CEE" SECTION
FLOOR JOISTS

BLOCKING NOTE:
PLACE SOLID BLOCKING AT ENDS OF
FLOOR SYSTEM, ADJACENT TO
ALL OPENINGS, AND AT 10'-0" o.c.
PERPENDICULAR TO JOIST SPAN MAX.

COILED STRAPS (CS) WITH BLOCKING ON CONVENTIONAL "CEE" SECTION JOIST

Marino\WARE 09. FRAMERITE CONNECTORS