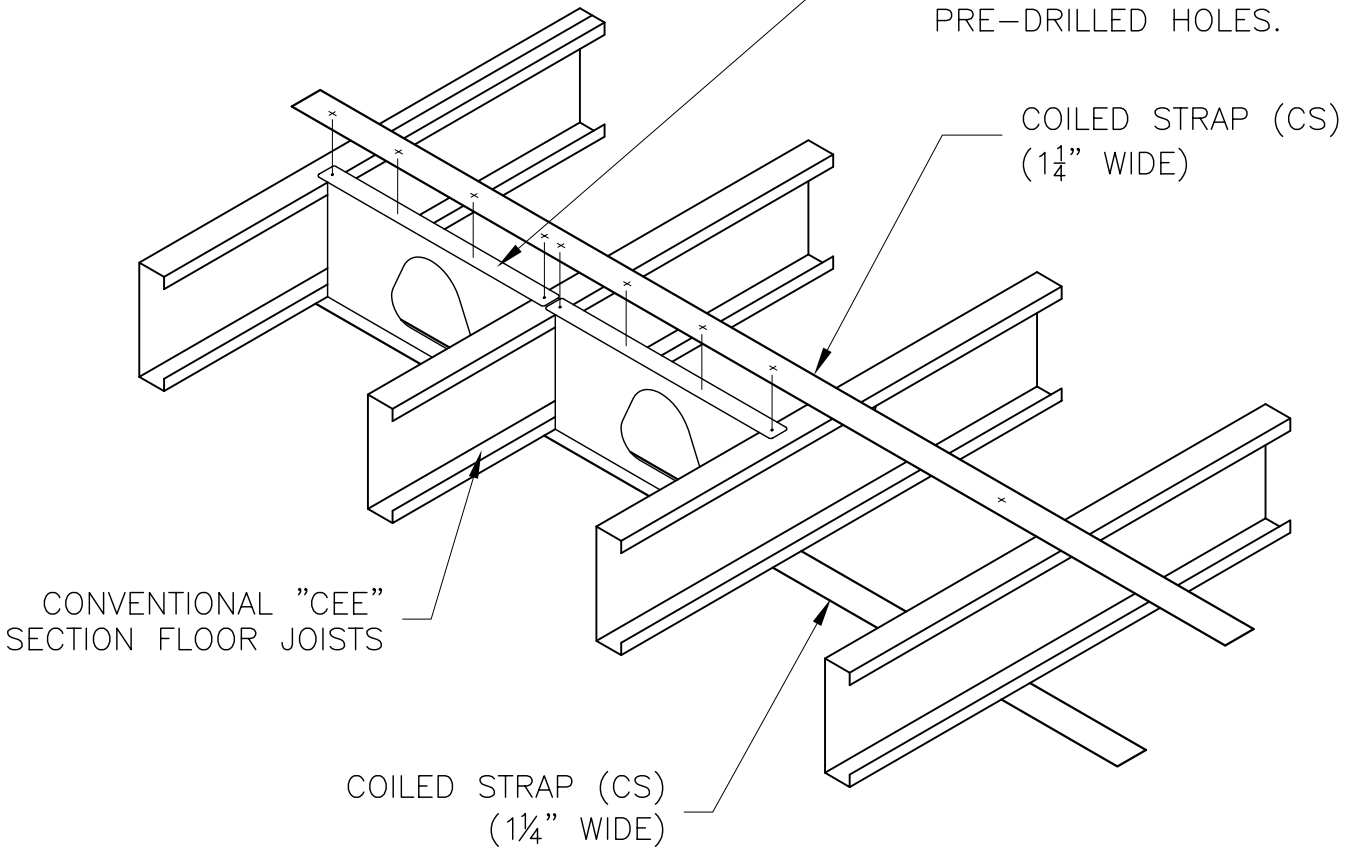


JOIST-RITE BLOCKING:
* LOCATE AT FIRST AND
SECOND SPACES, EA. END,
AND 10'-0" O.C. BETWEEN.
ATTACH TO JOISTS THRU
PRE-DRILLED HOLES.



NOTE:
TOP STRAP MAY BE ELIMINATED WITH THE PROPER ATTACHMENT
OF DIAPHRAGM RATED SHEATHING OR DECKING.

COILED STRAPS (CS) ON CONVENTIONAL "CEE" SECTION JOIST

Marino\WARE 07. FRAMERITE CONNECTORS