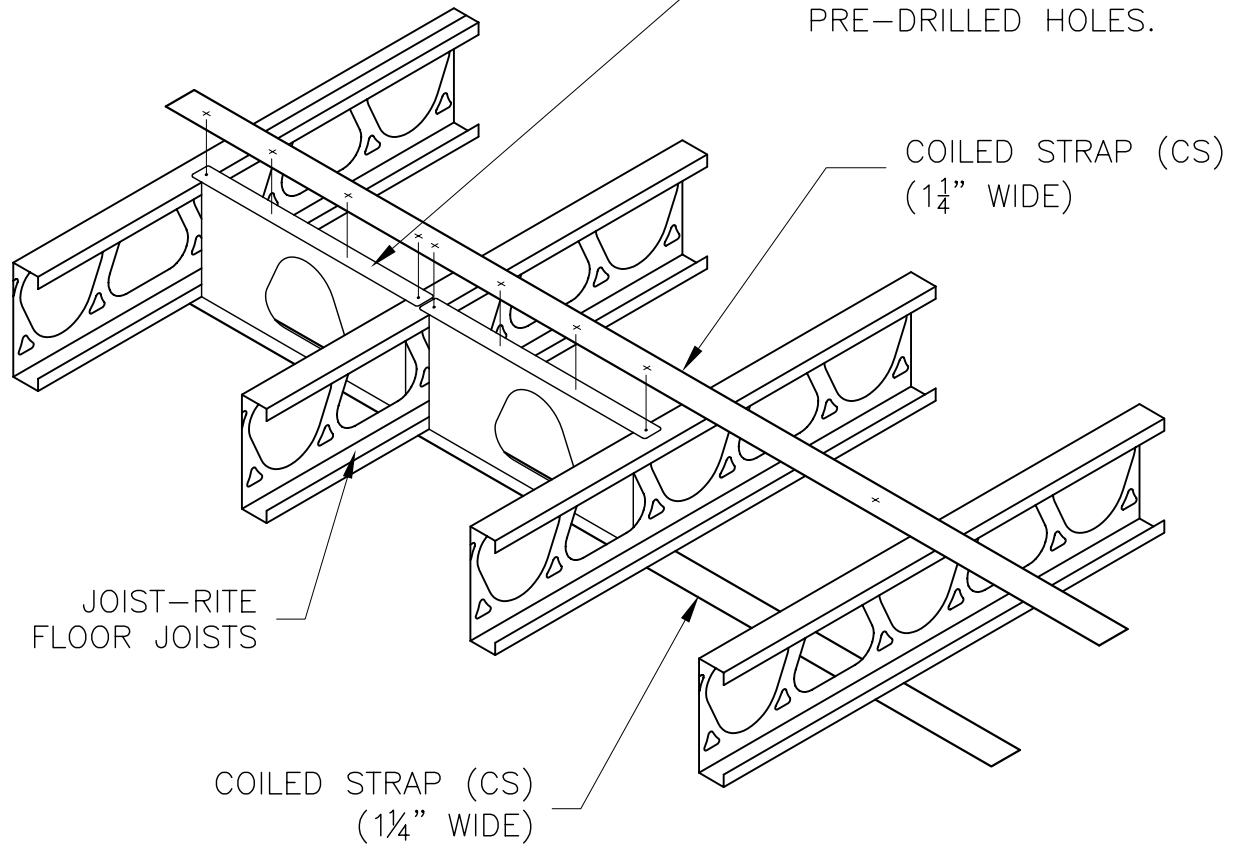


JOIST-RITE BLOCKING:  
\* LOCATE AT FIRST AND  
SECOND SPACES, EA. END,  
AND 10'-0" O.C. BETWEEN.  
ATTACH TO JOISTS THRU  
PRE-DRILLED HOLES.



NOTE:  
TOP STRAP MAY BE ELIMINATED WITH THE PROPER ATTACHMENT  
OF DIAPHRAGM RATED SHEATHING OR DECKING.

COILED STRAPS (CS) ON JOISTRITE FLOOR SYSTEM

**Marino\WARE 06. FRAMERITE CONNECTORS**