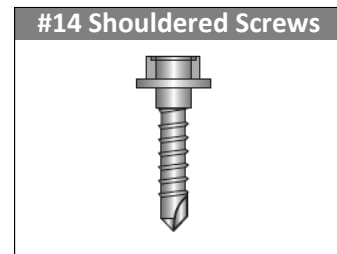
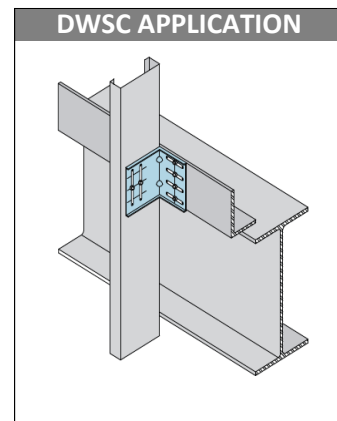
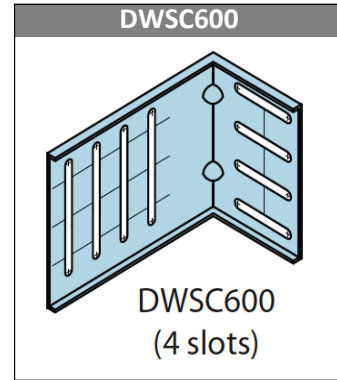


Marino\WARE® Product Submittal Data

MARINO\WARE PART # DWSC600

- MATERIAL:** See Table
FINISH: Galvanized – G90
SCREWS: 110 –#14 Shouldered screws included per box.

Part No.	Ga/Mil	Material	Finish	Size
DWSC362	14ga (68)	50 KSI	G-90	4" x 1.5" x 3.5"
DWSC600	14ga (68)	50 KSI	G-90	4" x 1.5" x 5.5"
DWSC800	14ga (68)	50 KSI	G-90	4" x 1.5" x 7.5"
DWSC1000	14ga (68)	50 KSI	G-90	4" x 1.5" x 9.5"
DWSC1200	14ga (68)	50 KSI	G-90	4" x 1.5" x 11.5"



- GREEN INFO** LEED® v3
 Available LEED® points in the following categories:
- MR Credit 2 - Construction Waste Management (1-2 points)
 - MR Credit 4 - Recycled Content (1-2 points)
 - MR Credit 5 - Regional Materials (1-2 points)
- Total Recycled Content: 34.9%
 •Post Consumer Content: 24.3%
 •Pre Consumer (Post Industrial) Content: 9.4%



For more information, please contact Marino\WARE Technical Services at 866-545-1545.
 This technical information reflects the most current information available and supersedes any and all publications, effective 12/1/2010.
 © Copyright 2010 by Ware Industries, Inc. All rights reserved