

## RIGID CONNECTORS

### LA CLIP (LARGE UTILITY CLIP)

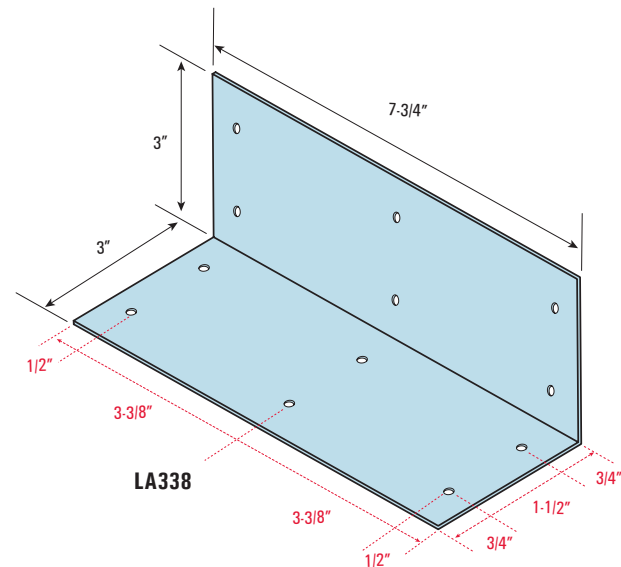
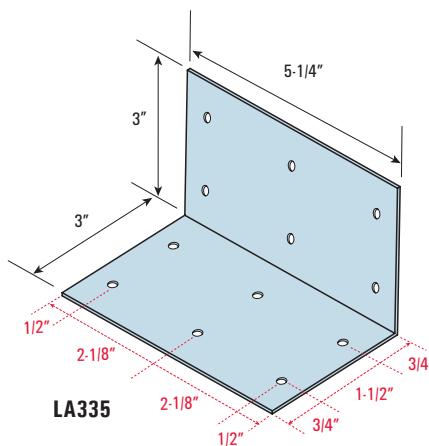
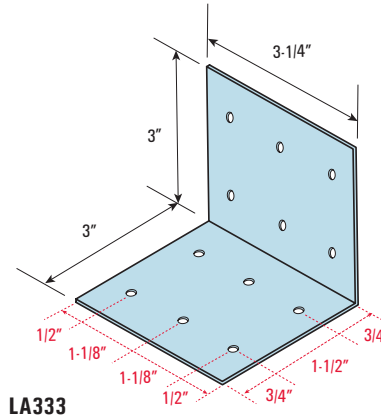
The LA series of clip angles is a series of rigid clips used in a variety of framing applications. Pre-drilled for ease of installation.

**MATERIAL:** See table for sizes – 50ksi

**FINISH:** Galvanized – G90

#### 3" x 3" LA Clips

Model No.	Size (in.)	Box Qty
LA333-16	3 x 3 x 3-1/4	100
LA333-14	3 x 3 x 3-1/4	100
LA333-12	3 x 3 x 3-1/4	50
LA335-16	3 x 3 x 5-1/4	50
LA335-14	3 x 3 x 5-1/4	50
LA335-12	3 x 3 x 5-1/4	50
LA338-16	3 x 3 x 7-3/4	25
LA338-14	3 x 3 x 7-3/4	25
LA338-12	3 x 3 x 7-3/4	25



LA Clips				Allowable Load (lbs)											
Model No.	Thickness (mil/ga)	Size (in.)	Screws	20ga (33 mil) 33 ksi		18ga (43 mil) 33 ksi		16ga (54 mil) 33 ksi		16ga (54 mil) 50 ksi		14ga (68 mil) 50 ksi		12ga (97 mil) 50 ksi	
				Shear	Tension	Shear	Tension	Shear	Tension	Shear	Tension	Shear	Tension	Shear	Tension
LA-333-16	54 (16 GA)	3" x 3" x 3-1/4"	6 - #10	562	380	562	462	562	546	722	546	722	644	722	644
LA-333-14	68 (14 GA)	3" x 3" x 3-1/4"	6 - #10	562	602	562	689	562	861	722	861	722	920	722	920
LA-333-12	97 (12 GA)	3" x 3" x 3-1/4"	6 - #10	562	870	562	1160	562	1515	722	1515	722	1495	722	1495
LA-335-16	54 (16 GA)	3" x 3" x 5-1/4"	6 - #10	562	614	562	746	562	882	722	882	722	1040	722	1040
LA-335-14	68 (14 GA)	3" x 3" x 5-1/4"	6 - #10	562	870	562	1113	562	1391	722	1391	722	1486	722	1486
LA-335-12	97 (12 GA)	3" x 3" x 5-1/4"	6 - #10	562	870	562	1290	562	1818	722	2447	722	2415	722	2415
LA-338-16	54 (16 GA)	3" x 3" x 7-3/4"	6 - #10	1372	870	1814	1077	1814	1077	2625	1077	3074	1077	3074	1077
LA-338-14	68 (14 GA)	3" x 3" x 7-3/4"	6 - #10	1372	870	1814	1290	1814	1818	2625	2054	3074	2193	3074	2193
LA-338-12	97 (12 GA)	3" x 3" x 7-3/4"	6 - #10	1372	870	1814	1290	1814	1818	2625	2580	3074	2580	3074	2580

**Notes:**

- Allowable loads have not been increased for wind or seismic.
- Allowable strength shown is the lowest value from the four failure modes: screw tilting/bearing, screw shear, screw pull-over and the serviceability limit state of 1/8" deflection of CFS members.
- It is the responsibility of design professional to design the connection of UA connectors to the supporting structure. In the test program, this connection was made with cap screws with a head diameter of 0.29". The allowable loads should be conservative for any fastener with a head diameter equal to or greater than 0.29".