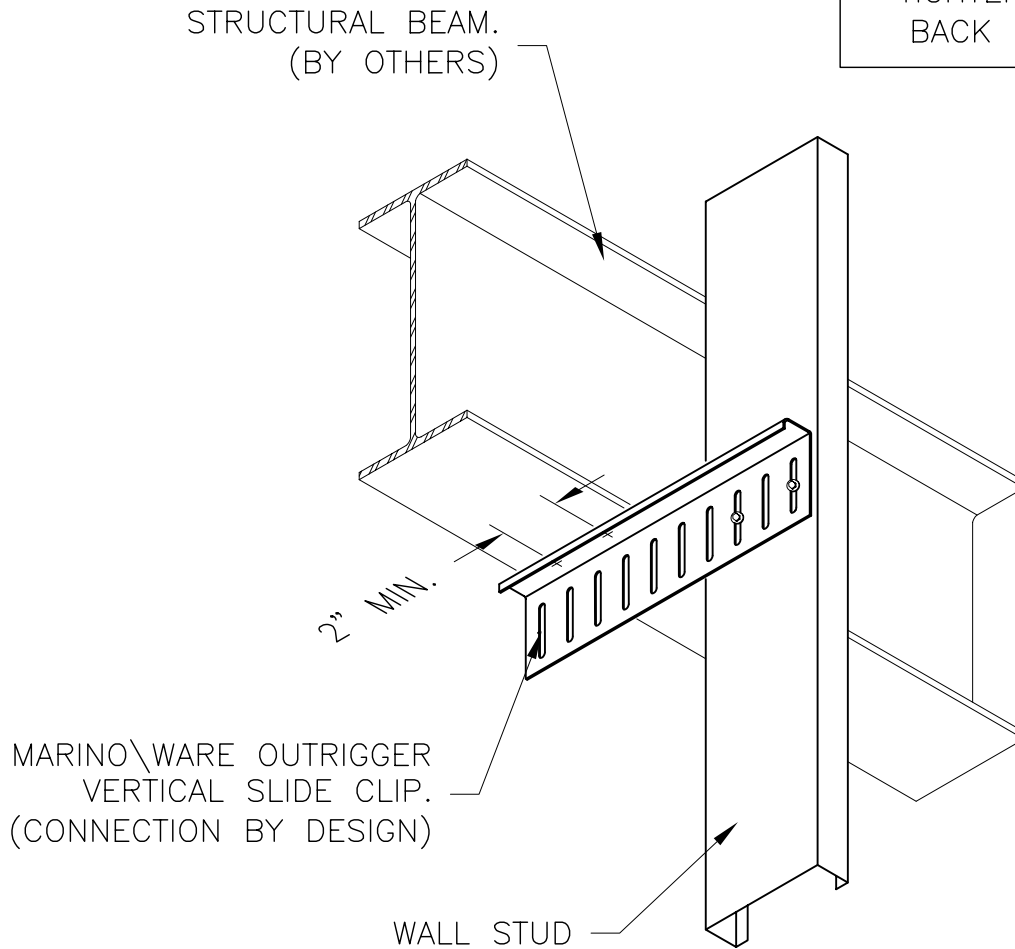


ENGINEER OF RECORD:
PLEASE VERIFY TORSIONAL
STABILITY OF BEAM.

FOR ATTACHMENT OF
OUTRIGGER TO WALL STUDS:
TIGHTEN SCREWS, THEN
BACK OFF 1/2 TURN.



OUTRIGGER VERTICAL SLIDE CLIP

Marino\WARE 17. FRAMERITE CONNECTORS