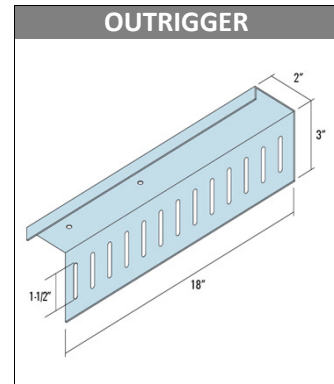


Marino\WARE® Product Submittal Data

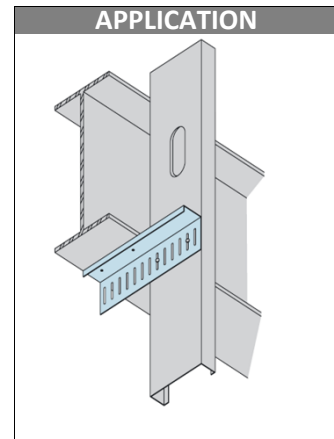
MARINO\WARE PART # OUTRIGGER

MATERIAL: 16 ga (54 mil) 50ksi
FINISH: Galvanized – G90
SCREWS: 55 - #14 Shouldered screws provided per box
DEFLECTION: 1-1/2" Total

Part No.	Ga/Mil	Yield	Finish	Box Qty
Outrigger	16ga (54)	50 KSI	G-90	25



Connection to Structure Hilti 0.145" X-EDNI Powder Actuated Fastener in 3/16" Steel					Connection to Structure #12-14 Hilti kwik Pro Self Drilling Screws to 3/16" Steel				
Ga/Mil	Yield	No. of Screws	No. of Anchors	Load (lbs.)	Ga/Mil	Yield	No. of Screws	No. of Anchors	Allowable Load (lbs.)
20 ga. (33)	33ksi	2	2	278	20 ga. (33)	33ksi	2	2	278
			3	278				3	278
			4	278				4	278
20 ga. (33)	33ksi	4	2	484	20 ga. (33)	33ksi	4	2	557
			3	557				3	557
			4	557				4	557
18 ga (43)	33ksi	2	2	413	18 ga (43)	33ksi	2	2	413
			3	413				3	413
			4	413				4	413
18 ga (43)	33ksi	4	2	483	18 ga (43)	33ksi	4	2	590
			3	775				3	827
			4	827				4	827
16 ga. (54)	33ksi	2	2	483	16 ga. (54)	33ksi	2	2	580
			3	580				3	580
			4	580				4	580
16 ga. (54)	33ksi	4	2	483	16 ga. (54)	33ksi	4	2	590
			3	775				3	595
			4	910				4	1075
16 ga. (54)	50ksi	2	2	483	16 ga. (54)	50ksi	2	2	590
			3	740				3	742
			4	740				4	742
16 ga. (54)	50ksi	4	2	483	16 ga. (54)	50ksi	4	2	590
			3	775				3	985
			4	910				4	1075
14 ga. (68)	50ksi	2	2	483	14 ga. (68)	50ksi	2	2	590
			3	740				3	742
			4	740				4	742
14 ga. (68)	50ksi	4	2	783	14 ga. (68)	50ksi	4	2	590
			3	783				3	985
			4	910				4	1075



NOTES

- All anchors must be attached in a single file line down the center of the clip.
- All anchor data is from the Hilti 2006 Product Technical Guide.
- All anchors must be attached to structure per manufacturer's instructions.
- Anchor Spacing for 2 and 3 anchors to be min. 2".
- Anchor Spacing for 4 anchors to be 1" min.
- Anchor edge distance to be 1/2" min.

GREEN INFO LEED® v3

Available LEED® points in the following categories:

- MR Credit 2 - Construction Waste Management (1-2 points)
- MR Credit 4 - Recycled Content (1-2 points)
- MR Credit 5 - Regional Materials (1-2 points)
- Total Recycled Content: 34.9%
- Post Consumer Content: 24.3%
- Pre Consumer (Post Industrial) Content: 9.4%



www.marinoware.com

For more information, please contact Marino\WARE Technical Services at 866-545-1545.

This technical information reflects the most current information available and supersedes any and all publications, effective 12/1/2010
 © Copyright 2010 by Ware Industries, Inc. All rights reserved