

**BXUV.U388  
Fire Resistance Ratings - ANSI/UL 263**

[Page Bottom](#)

**Design/System/Construction/Assembly Usage Disclaimer**

- Authorities Having Jurisdiction should be consulted in all cases as to the particular requirements covering the installation and use of UL Listed or Classified products, equipment, system, devices, and materials.
- Authorities Having Jurisdiction should be consulted before construction.
- Fire resistance assemblies and products are developed by the design submitter and have been investigated by UL for compliance with applicable requirements. The published information cannot always address every construction nuance encountered in the field.
- When field issues arise, it is recommended the first contact for assistance be the technical service staff provided by the product manufacturer noted for the design. Users of fire resistance assemblies are advised to consult the general Guide Information for each product category and each group of assemblies. The Guide Information includes specifics concerning alternate materials and alternate methods of construction.
- Only products which bear UL's Mark are considered as Classified, Listed, or Recognized.

**Fire Resistance Ratings - ANSI/UL 263**

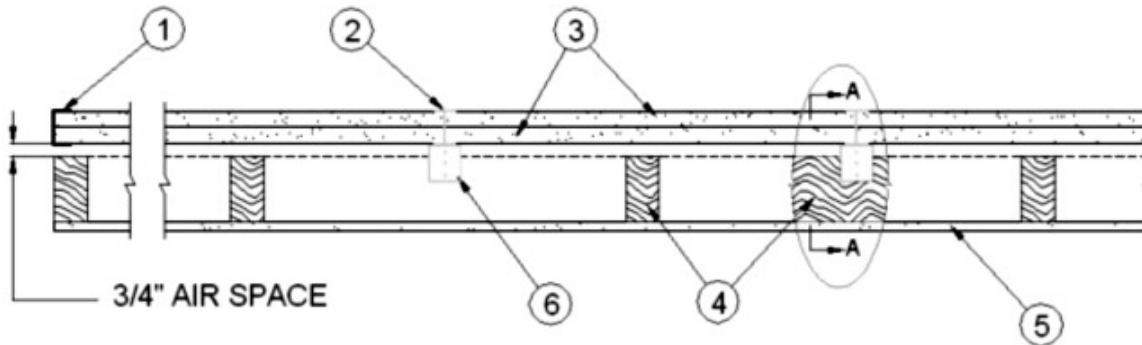
[See General Information for Fire Resistance Ratings - ANSI/UL 263](#)

**Design No. U388**

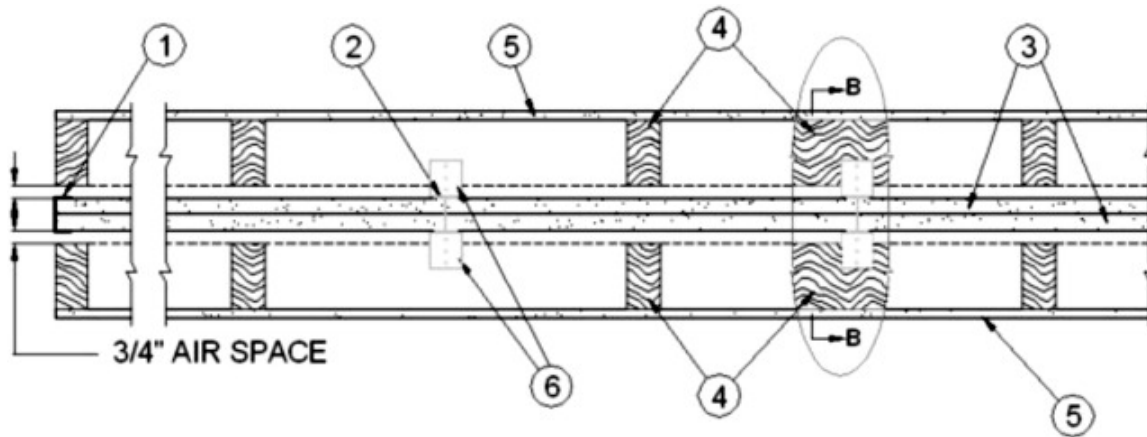
June 13, 2009

**Nonbearing Wall Rating — 2 Hr**

**Finish Rating — 120 Min**



**CONFIGURATION A**  
**EXPOSED TO FIRE FROM AREA SEPARATION WALL SIDE ONLY**



**CONFIGURATION B**  
**EXPOSED TO FIRE FROM EITHER SIDE**

**AREA SEPARATION WALL: (Max Height - 44 ft)**

- 1. **Floor, Intermediate, or Top Wall** — 2 in. wide channel shaped with 1 in. long legs formed from No. 25 MSG galv steel, secured with suitable fasteners spaced 24 in. OC.
- 2. **Steel Studs** — H-shaped steel studs fabricated from 25 MSG galv. steel, 2 in. deep with 1-3/8 in. wide flanges, spaced a maximum of 24 in. OC.
- 3. **Gypsum Board\*** — Two layers of 1 in. thick gypsum wallboard liner panels, supplied in nom 24 in. widths. Vertical edges of panels friction fitted into "H" -shaped studs.

**LAFARGE NORTH AMERICA INC** — 1 in. thick Type LGFCSL

**PROTECTED WALL: (Bearing or Nonbearing Wall)**

- 4. **Wood Studs** — Nom 2 by 4 in. max spacing 24 in. OC. Studs cross braced at mid-height where necessary for clip attachment. Min 3/4 in. separation between wood framing and fire separation wall.
- 5. **Gypsum Board** — Classified or Unclassified — Min 1/2 in. thick, 4 ft wide, applied either horizontally or vertically. Wallboard attached to studs with 1-1/4 in. long steel drywall nails spaced 8 in. OC. Vertical joints located over studs. (Optional) Joints covered with paper tape and joint compound. Nail heads covered with joint compound.
- 6. **Attachment Clips** — Aluminum angle, 0.063 in. thick, 2 in. wide with 2 in. and 2-1/4 in. legs. Clips secured with 3/8 in. long Type S drywall screws to "H" studs and with Type W screws 1-1/4 in. long to wood framing through holes provided in clip. Clips are spaced a maximum of 10 ft. OC. vertically between wood framing and "H" studs for separation walls up to 23 ft. high. For separation walls up to 44 ft. high, clips spaced as described above for the upper 24 ft. and the remaining wall areas below requires clips spaced a maximum of 5 ft. OC. vertically between wood framing and "H" studs.

\*Bearing the UL Classification Mark

Last Updated on 2009-06-13

[Questions?](#)

[Notice of Disclaimer](#)

[Page Top](#)

Copyright © 2009 Underwriters Laboratories Inc.®

The appearance of a company's name or product in this database does not in itself assure that products so identified have been manufactured under UL's Follow-Up Service. Only those products bearing the UL Mark should be considered to be Listed and covered under UL's Follow-Up Service. Always look for the Mark on the product.

UL permits the reproduction of the material contained in the Online Certification Directory subject to the following conditions: 1. The Guide Information, Designs and/or Listings (files) must be presented in their entirety and in a non-misleading manner, without any manipulation of the data (or drawings). 2. The statement "Reprinted from the Online Certifications Directory with permission from Underwriters Laboratories Inc." must appear adjacent to the extracted material. In addition, the reprinted material must include a copyright notice in the following format: "Copyright © 2009 Underwriters Laboratories Inc.®"

An independent organization working for a safer world with integrity, precision and knowledge.

