

Marino\WARE® Product Submittal Data

PRODUCT NAME: HOT ROD Type-X

*Manufactured by CEMCO, distributed by Marino\WARE

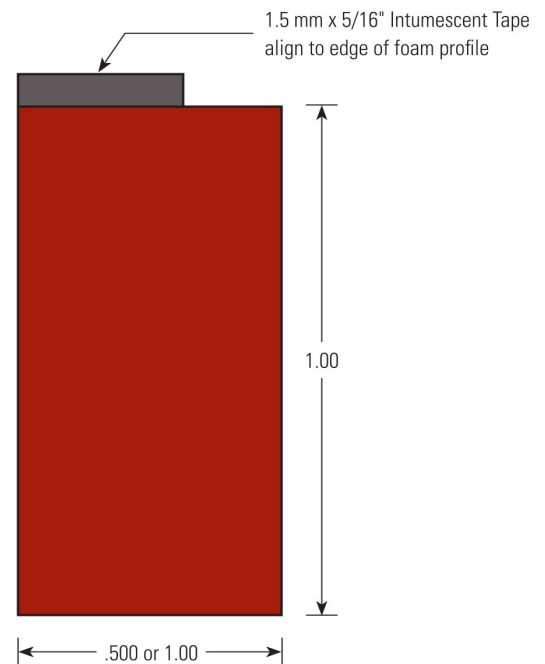
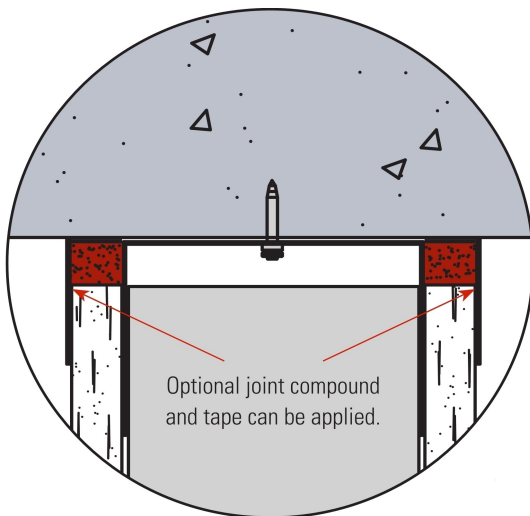
PRODUCT:

A compressible intumescent fire stopping that provides a 1 and 2 hour fire rating for both dynamic and static joints, according to UL 2079.

- A rectangular profile that is easily compressed into the deflection gap between drywall edge and structure.
- Red in color and easily identified by inspector.
- Takes the place of fire & sound sealant, will not shrink or harden over time.
- Installed by itself or covered with tape and compound for exposed walls.
- 1 hr. fire rating for 1/2"x1", 2 hr. fire rating for 1"x1".

FIRE RATED DESIGNS (UL 2079):

HW-D-0624	HW-D-0625
HW-D-0554	HW-D-0550
HW-D-0551	BW-S-0024
WW-D-0104	WW-S-0061



CODES & STANDARDS

- ASTM E1966 Standard Test Methods of Fire Tests of Fire Stop Systems.
- ASTM E119 - Standard Test Methods for Fire Tests of Building Construction and Material.
- ASTM E90 - Sound tested
- Air Leakage Tests for compliance to Section 713.6 of the IBC.



For more information, please contact Marino\WARE Technical Services at 866-545-1545.

This technical information reflects the most current information available and supersedes any and all publications, effective 1/10/2018
©Copyright 2018 by Ware Industries, Inc. All rights reserved