



Product Description

MarinoWARE HOTROD XL is a surface mounted fire-rated deflection bead tested to UL 2079. It provides 1 & 2 hour firestop solutions in joints for both standard wall and shaft wall types between flat concrete or fluted metal deck applications.

- 🔧 Tested with up to 80% compression and 30% extension.
- 🔧 Combines compressible foam, a vinyl concealment leg along and intumescent strip to provide an aesthetically pleasing joint.
- 🔧 Provides one and two hour fire ratings from the same profile.
- 🔧 Provides a single step installation of both a code compliant firestop and finished drywall accessory in one piece.
- 🔧 Pink perforated mud leg for ease of inspection.
- 🔧 Installs on the face of the drywall with a perforated mud leg incorporated to accept joint compound.
- 🔧 Can be used with sprayless Flute Clips to eliminate need for additional firestop sealant or spray.
- 🔧 Easily installs using spray adhesive and staples.
- 🔧 Installs fully cured and is printable.
- 🔧 Does not have temperature or humidity limits for installation.
- 🔧 For use in assemblies with STC Ratings up to 68.

Ordering / Packaging

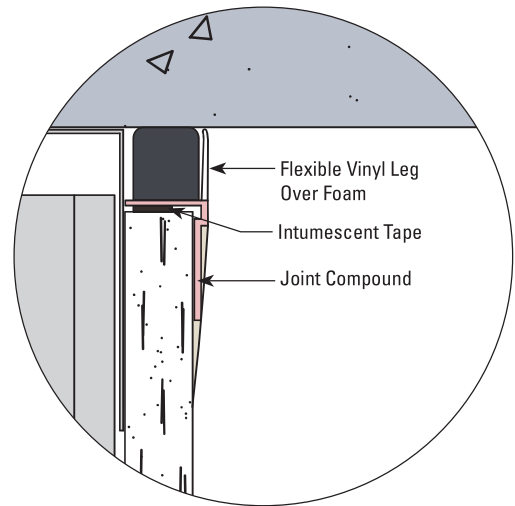
Description	Part #	Size	Length	Pcs/Ctn	Submitted for Review/Use	✓
HOTROD XL	HOTRODXL	1/2" x 3/4"	10'	10	HOTROD XL	

Storage / Warranty

- 🔧 When stored indoors and kept dry in the original package, HOTROD XL will provide unlimited shelf life.
- 🔧 See Firestop Product Warranty for details.

ASTM & Code Standards

- 🔧 ASTM E-84
- 🔧 ASTM E-90
- 🔧 ASTM E-1966
- 🔧 UL 2079 5th Edition
- 🔧 L-Rating (air leakage) testing for compliance with International Building Code (IBC) and Canadian Building Code (CBC).
- 🔧 UL listings/approvals include: BW-S-0024; HW-D-0550; HW-D-0554; HW-D-0621; HW-D-0624; HW-D-0625; HW-S-0128; WW-S-0057; WW-S-0094
- 🔧 **U.S. Patent No. 9,683,364; 10,184,246; and 10,914,065**

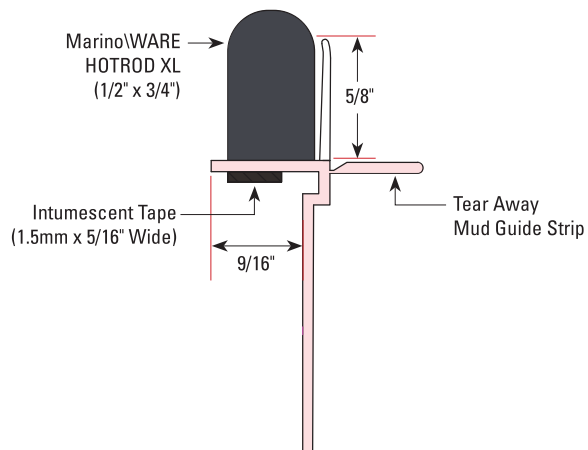
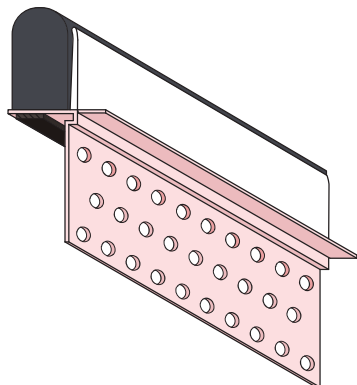


Always check UL Fire resistance directory for complete design requirements.

For more information, please contact MarinoWARE® Technical Services at 866.545.1545

This technical information reflects the most current information available and supersedes any and all previous publications effective

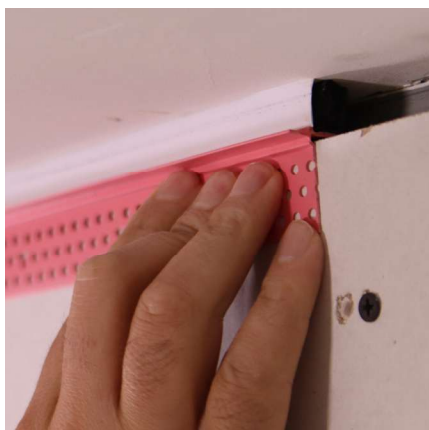
July 18, 2025 | MW_Firestop_Catalog | ©WARE Industries, Inc. 2025



← View the installation video!



← View the installation guide!



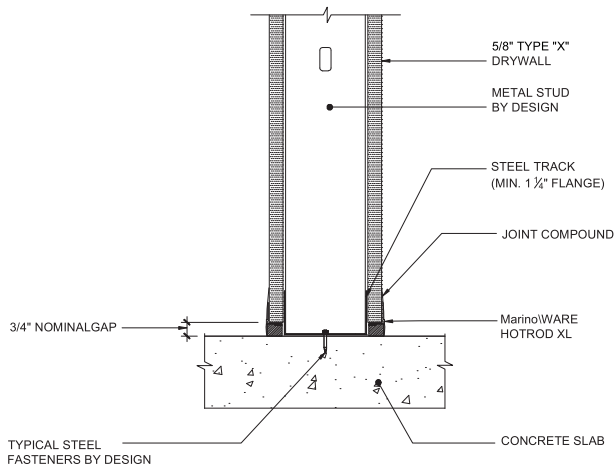
Always check UL Fire resistance directory for complete design requirements.

For more information, please contact MarinoWARE® Technical Services at 866.545.1545

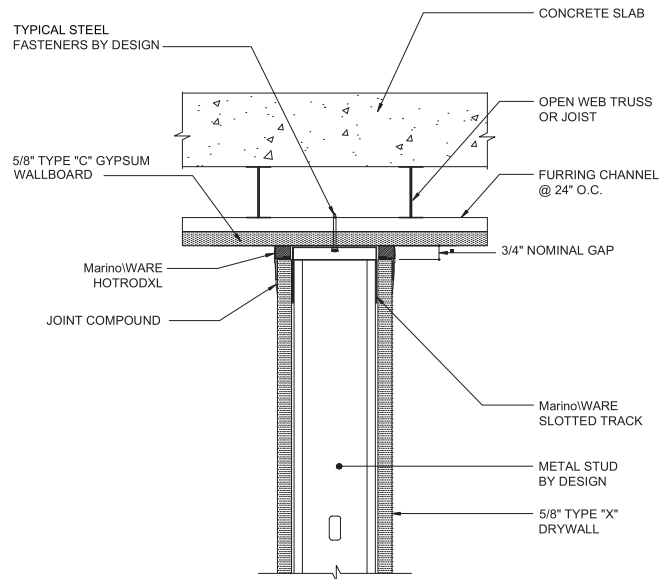
This technical information reflects the most current information available and supersedes any and all previous publications effective

July 18, 2025 | MW_Firestop_Catalog | ©WARE Industries, Inc. 2025

BW-S-0024 1 & 2HR BOTTOM OF WALL



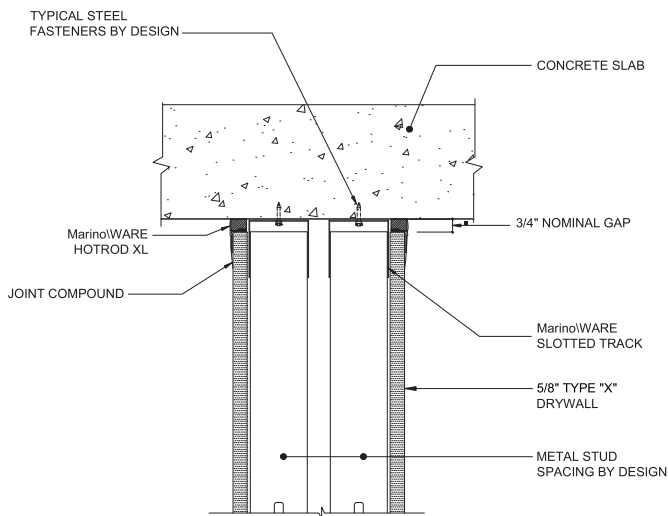
HW-D-0550 1 & 2HR STANDARD WALL, GYPSUM WALLBOARD CEILING



*NOTE: SINGLE LAYER OF 5/8" TYPE "X" DRYWALL FOR 1 HOUR FIRE RATING, 2 LAYERS FOR 2 HOUR

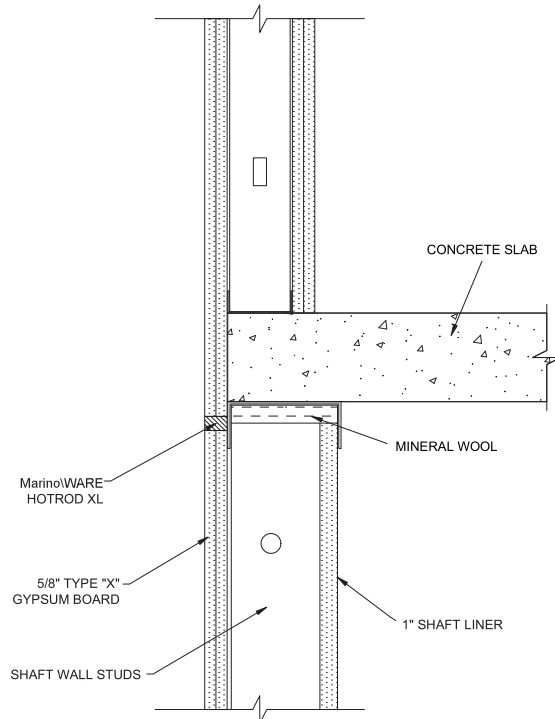
*NOTE: SINGLE LAYER OF 5/8" TYPE "X" DRYWALL FOR 1 HOUR FIRE RATING, 2 LAYERS FOR 2 HOUR

HW-D-0554 1 & 2HR STANDARD CHASE WALL, CONCRETE SLAB



*NOTE: SINGLE LAYER OF 5/8" TYPE "X" DRYWALL FOR 1 HOUR FIRE RATING, 2 LAYERS FOR 2 HOUR

HW-D-0621 1 & 2HR SHAFT WALL CONCRETE SLAB BYPASS



*NOTE: SINGLE LAYER OF 5/8" TYPE "X" DRYWALL FOR 1 HOUR FIRE RATING, 2 LAYERS FOR 2 HOUR

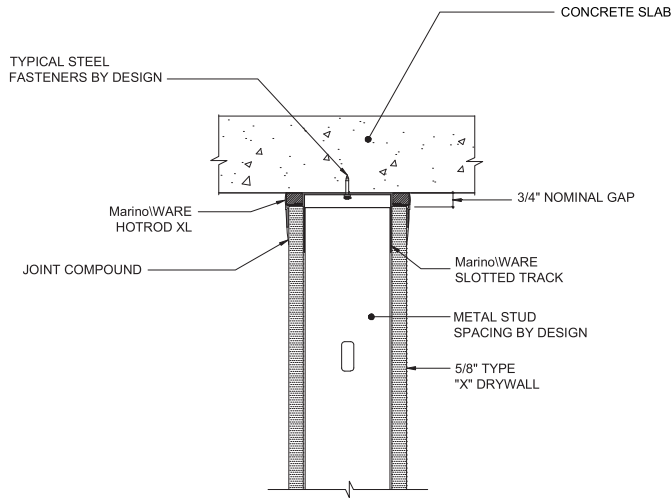
Always check UL Fire resistance directory for complete design requirements.

For more information, please contact MarinoWARE® Technical Services at 866.545.1545

This technical information reflects the most current information available and supersedes any and all previous publications effective

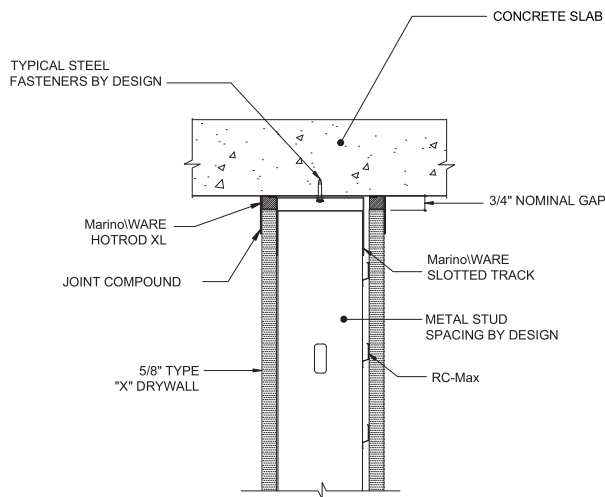
July 18, 2025 | MW_Firestop_Catalog | ©WARE Industries, Inc. 2025

HW-D-0624 1 & 2HR STANDARD WALL, CONCRETE SLAB



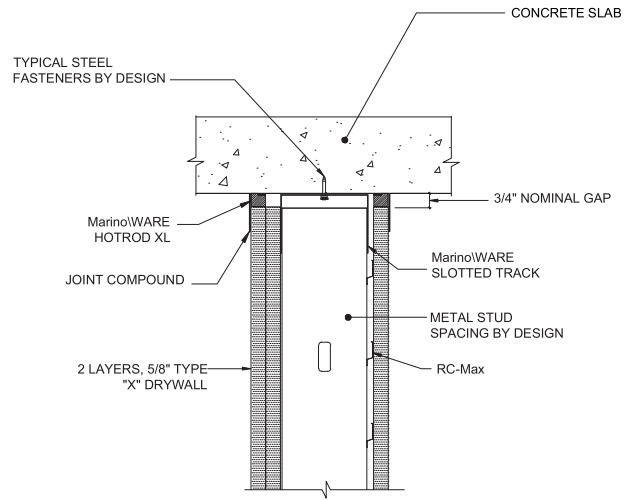
*NOTE: SINGLE LAYER OF 5/8" TYPE "X" DRYWALL FOR 1 HOUR FIRE RATING, 2 LAYERS FOR 2 HOUR

HW-D-0624 1HR STANDARD WALL, CONCRETE SLAB, STC RATING: 52



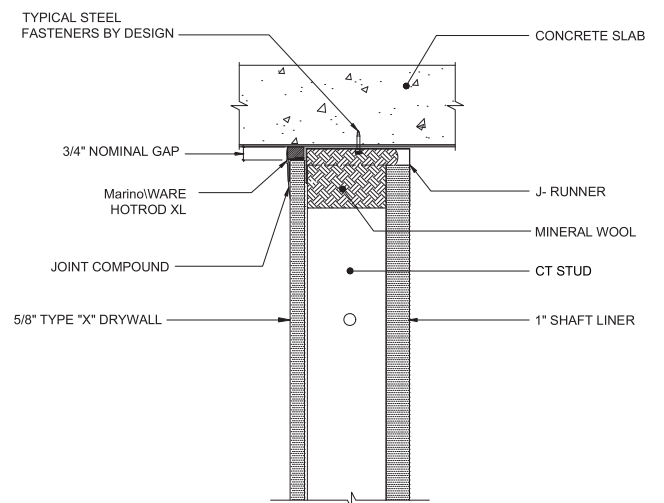
*NOTE: SINGLE LAYER OF 5/8" TYPE "X" DRYWALL FOR 1 HOUR FIRE RATING, 2 LAYERS FOR 2 HOUR

HW-D-0624 1HR STANDARD WALL, CONCRETE SLAB, STC RATING: 55



*NOTE: SINGLE LAYER OF 5/8" TYPE "X" DRYWALL FOR 1 HOUR FIRE RATING, 2 LAYERS FOR 2 HOUR

HW-D-0625 1 & 2HR SHAFT WALL, CONCRETE SLAB



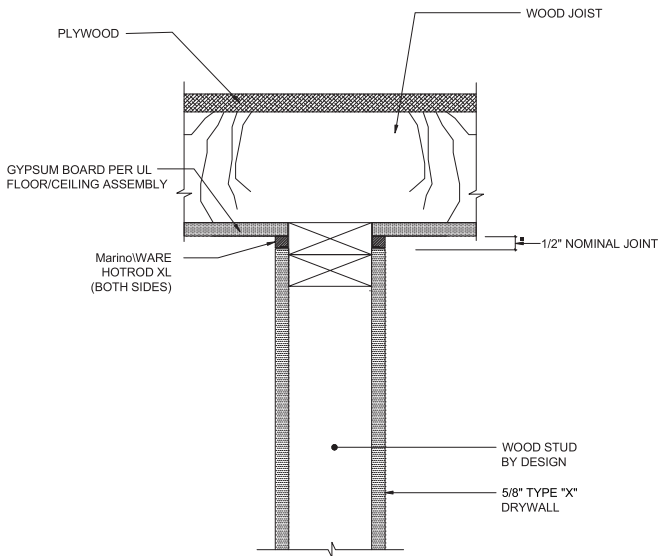
*NOTE: SINGLE LAYER OF 5/8" TYPE "X" DRYWALL FOR 1 HOUR FIRE RATING, 2 LAYERS FOR 2 HOUR

Always check UL Fire resistance directory for complete design requirements.

For more information, please contact MarinoWARE® Technical Services at 866.545.1545

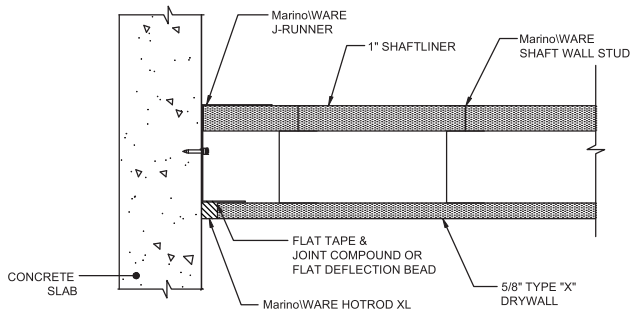
This technical information reflects the most current information available and supersedes any and all previous publications effective July 18, 2025 | MW_Firestop_Catalog | ©WARE Industries, Inc. 2025

HW-S-0128 1 & 2HR HEAD OF WALL JOINT AT WOOD FRAMING



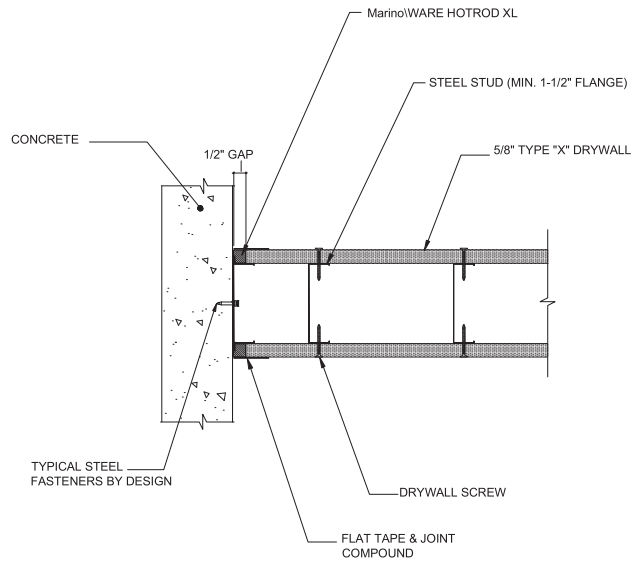
*NOTE: SINGLE LAYER OF 5/8" TYPE "X" DRYWALL FOR 1 HOUR FIRE RATING, 2 LAYERS FOR 2 HOUR

WW-S-0094 1 & 2HR SHAFT WALL VERTICAL JOINT



*NOTE: SINGLE LAYER OF 5/8" TYPE "X" DRYWALL FOR 1 HOUR FIRE RATING, 2 LAYERS FOR 2 HOUR

WW-S-0057 1 & 2HR VERTICAL TIE IN TO CONCRETE SLAB



*NOTE: SINGLE LAYER OF 5/8" TYPE "X" DRYWALL FOR 1 HOUR FIRE RATING, 2 LAYERS FOR 2 HOUR

Always check UL Fire resistance directory for complete design requirements.

For more information, please contact MarinoWARE® Technical Services at 866.545.1545

This technical information reflects the most current information available and supersedes any and all previous publications effective July 18, 2025 | MW_Firestop_Catalog | ©WARE Industries, Inc. 2025