



NYC Department of Buildings  
280 Broadway, New York, NY 10007  
Patricia Lancaster, FAIA, Commissioner  
(212) 566-5000, TTY: (212) 566-4769

## Report of Materials and Equipment Acceptance Division

Pursuant to Administrative Code Section 27-131, the following equipment or material has been found acceptable for use subject to the terms and conditions contained herein.

### MEA 118-07-M

**Manufacturer:** Marino/WARE, 400 Metuchen Road, South Plainfield, N.J. 07080

**Trade Name(s):** JoistRite

**Product:** 1.5 hour fire rated floor/ceiling assembly for Class I construction

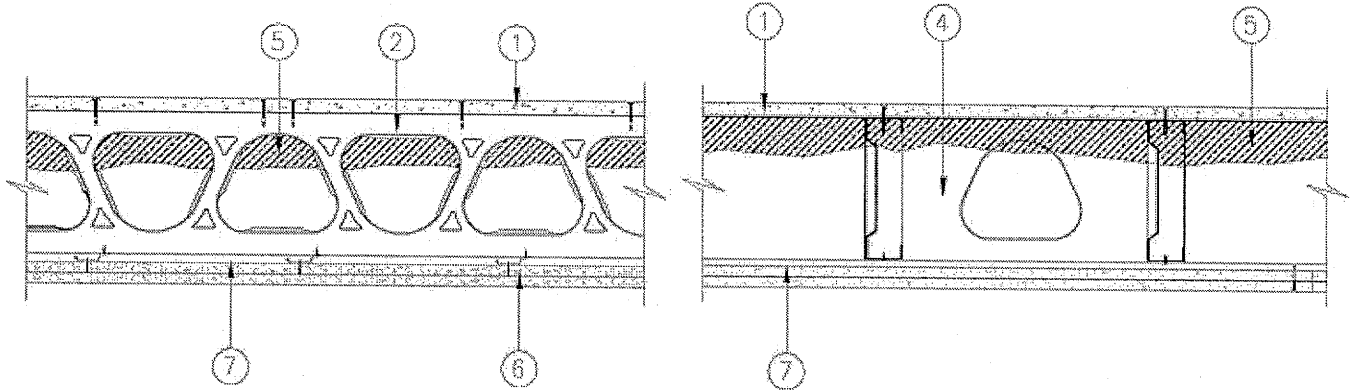
**Pertinent Code Section(s):** 27-280, 27-323, 27-324

**Prescribed Test(s):** RS 5-1 (ASTM E119)

**Laboratory:** Intertek ETL Semko

**Test Report(s):** 3099463

**Description:** 3/4" thick VIROC cement board, minimum 10" deep x minimum 16-gauge x minimum 2" flange JoistRite steel joist 16" O.C., 6", 4 pcf mineral insulation (friction fitted between joists just under VIROC), RC-1 resilient channel spaced 12" O.Co. below joists, two layers of 5/8" thick Type C gypsum wallboard.



1. VIROC Board,  $\frac{3}{4}$ " minimum thickness screw fastened direct to JoistRite Steel framing with #8 x  $1\frac{5}{8}$ " ITW Buildex S-12 Rock on Climacoat Screws. Fastener spacing 12" O.C. over the two perimeter 1000JR200-54 JoistRite joists, 16" O.C. over inner 1000JR200-54 JoistRite joists, and 8" O.C. over 1000JT250-54 JoistRite track. Alpha Systems' Pemco 5100 non-flammable Polyurethane based adhesive was used to seal the joint between the two pieces of VIROC.
2. 1000JR200-54 JoistRite Galvanized steel joists, 10" depth (minimum) x 16-gauge (minimum) x 2" flange width (minimum). Joists spaced at 16" O.C. 100JT250-54 JoistRite galvanized steel track (not shown).
3. Galvanized steel JoistRite web stiffener 1000JS-362,  $3\frac{5}{8}$ " x 16Ga, placed inside of perimeter JoistRite Track and fastened on the web of the JoistRite steel joists. JoistRite Web Stiffener attached to web of JoistRite with six #10-16 x  $\frac{1}{2}$ " corrosion resistant self-drilling screws through predrilled holes.
4. 1000JB-16 JoistRite Solid Blocking located at mid-span of JoistRite at each bay. Screw fastened to top and bottom flange of JoistRite joist with #10-16 x  $\frac{1}{2}$ " corrosion resistant self-drilling screws through predrilled holes.
5. Thermafiber insulation 4 lbs. PCF density x 4" thick x full width in joist cavity.
6. Marino\ware RC-1 single leg galvanized resilient channel,  $\frac{1}{2}$ " deep x 25-gauge at 12" O.C. screw fastened to bottom flange of JoistRite steel joist with #10-16 x  $\frac{1}{2}$ " corrosion resistant self-drilling screws.
7. Double layer of  $\frac{5}{8}$ " Type "C" gypsum board, First layer screw fastened to resilient furring channels with #6 x  $1\frac{1}{4}$ " drywall screws at 12" O.C. in the field and 6" O.C. along the edge. Second layer screw fastened with #6 x  $1\frac{5}{8}$ " drywall screws at 12" O.C. in the field and 6" O.C. along the edge. This is a generic gypsum board listing; any UL Classified Board is acceptable for use.

**Terms and Conditions:** The above-described floor-ceiling assembly using JoistRite is accepted under the following conditions:

1. Structural requirements shall comply with Subchapter 10, Reference Standard RS 10-3 and other applicable provisions of the New York City Building Code.
2. The acceptance of this assembly is limited to fire resistance only. Structural and other requirements shall be in accordance with pertinent Building Code, Laboratories' listing and manufacturer's requirements.
3. All shipments and deliveries of such material shall be provided with print marking, suitably placed, certifying that the material shipped or delivered is equivalent to that tested and accepted for use, as provided in Section 27-131 of the New York City Building Code.

NOTE: In accordance with Section 27-131(d), all materials tested and accepted for use shall be subject to periodic retesting as determined by the Commissioner; and any material which upon retesting is found not to comply with Code requirements or the requirements set forth in the approval of the Commissioner shall cease to be acceptable for the use intended. During the period for such retesting, the Commissioner may require the use of such material to be restricted or discontinued if necessary to secure safety.

Final Acceptance January 10, 2008

Examined By: Simon Derkshon