

# RESILIENT CHANNELS

## RESILIENT CHANNEL – RC-1 & RC-2

**USE:** As furring over wood or steel framed walls and ceilings. Reduced contact with supporting members offers economical means for reducing sound transmission.

### Resilient Channel (RC-1)



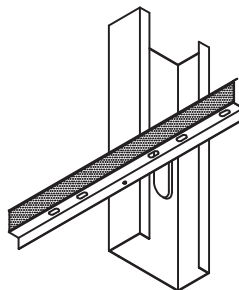
### Resilient Channel (RC-2)



Note: STC ratings are not available for RC-2. No test data is available for this product.

### INSTALLATION (WALLS):

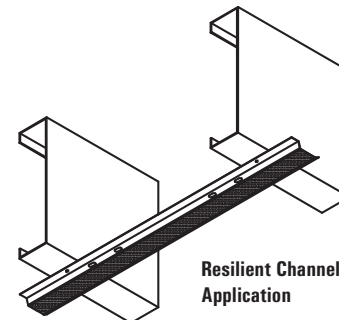
Attach RC-1 Resilient Channels with the attachment flange down and at right angles to the studs. Position bottom channel with attachment flange up for ease of attachment. Fasten resilient channels to steel studs with 3/8" Type S pan head screws, to wood studs with 1-1/4" Type W screws. Locate RC-1 2" max up from the floor and within 6" of the ceiling and at no more than 24" on center intervals (16" on center max for some veneer plaster assemblies). Extend RC channels into all corners and attach to corner framing. Splice channels directly over studs by nesting (not butting) the channels and driving fasteners through both flanges into support.



Resilient Channel (RC-1) Application

### INSTALLATION (CEILINGS):

Attach RC-1 Resilient Channels at right angles to the joists. Fasten the resilient channels to the joists with proper screw fasteners as stated above. Install resilient channels 24" on center max. When joist spacing is 16" on center and 16" on center max. When joist spacing is 24" on center. One or two layers of gypsum board may be used.



Resilient Channel (RC-1) Ceiling Application

# WAREWALL® SNAP-IN DRYWALL FRAMING SYSTEM

## WAREWALL®

**USE:** The Warewall® Snap-In Drywall Framing System is an innovative method for constructing interior gypsum drywall partitions. It consists of interlocking steel stud and track sections which are easy to install and offer many advantages over old-fashioned wood and conventional metal framed assemblies.

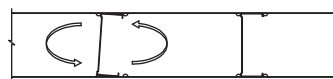
### FEATURES:

- An ecologically appealing alternative to wood framing. Steel is the most recycled material.
- Non-combustible. Steel does not contribute "fuel" to a fire.
- Lightweight and easy to handle.
- Insect and vermin proof.
- Resistant to rot and warp. Gypsum wallboard is screw attached to the studs thus eliminating unsightly "nail pops" which are often the result of the drying and shrinking of wood framing.
- Knurled flanges on stud to prevent slipping of the drywall screws during installation.
- Pre-punched with service holes to ease installation of wiring, plumbing, etc.

### INSTALLATION:

Warewall® reduces wall installation time. Our unique dimpled track system pre-determines the stud spacing thus eliminating time consuming measuring. Dimples are located 8" on center to accommodate both 16" and 24" on center stud spacing. Simply align the dimples of the top and bottom track, insert the stud in the track, and twist in place. Warewall keeps the studs positioned without the need for track to stud screw attachments.

Available in 1-5/8", 2-1/2" and 3-5/8" depths and 25 & 20 gauge.



INSERT STUD IN WAREWALL® TRACKS & TWIST IN PLACE...NO SCREWS REQUIRED

