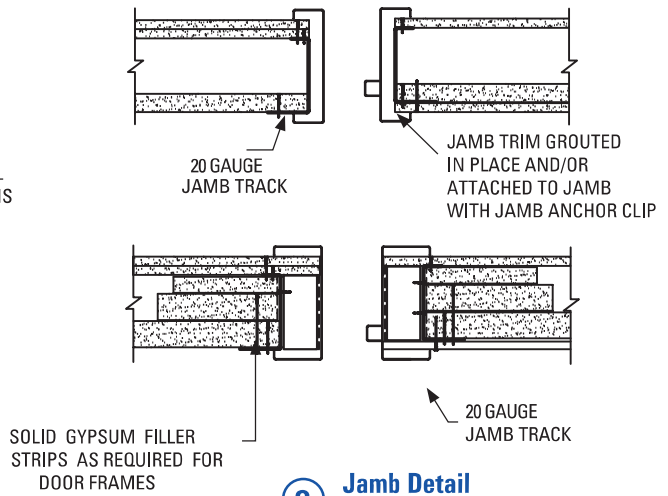
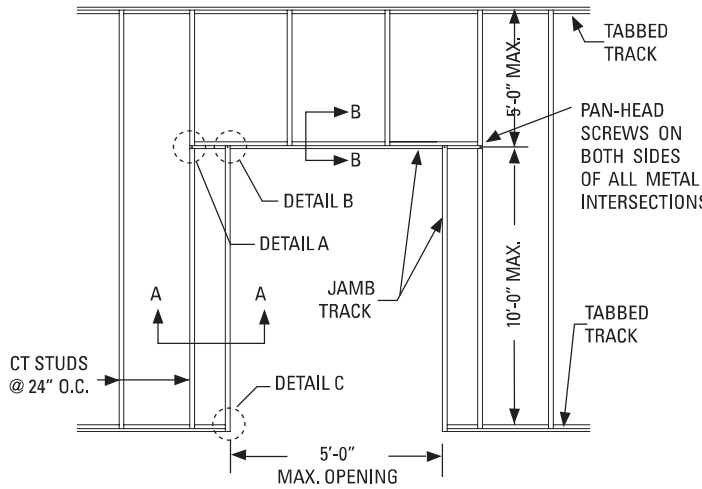


SHAFTWALL SYSTEMS SUGGESTED CONSTRUCTION DETAILS

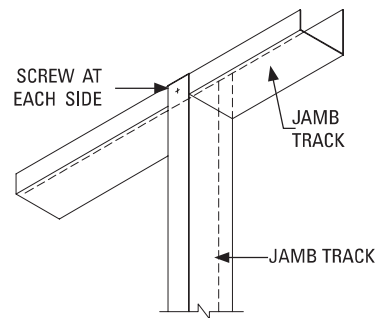
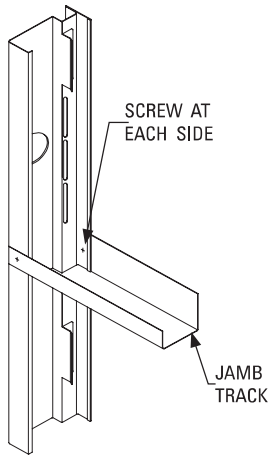


NOTES:

- A.) FRAMING AT ELEVATOR DOOR SHALL BE MINIMUM 4" CT-STUDS AND RUNNERS 20 GAUGE.
- B.) FOR DOOR GREATER THAN 5' WIDE AND 10' HIGH, IT NEEDS TO BE INVESTIGATED SEPARATELY.

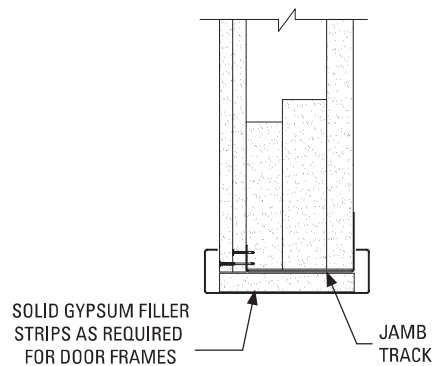
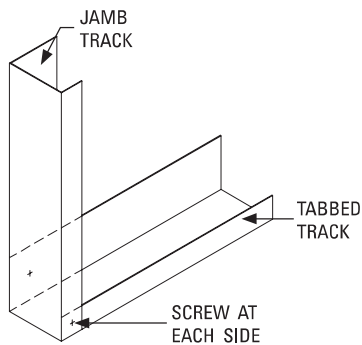
2 Jamb Detail Section A-A

1 Door Frame Elevation



3 Header Detail Detail A

4 Header Detail Detail B



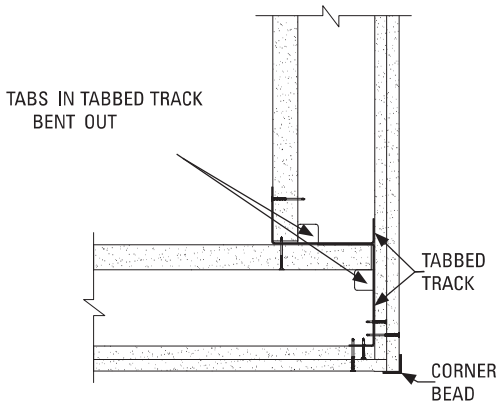
5 Jamb Detail Detail C

6 Header Detail Section B-B

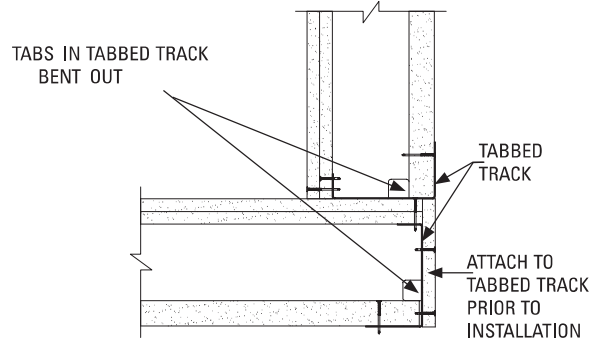
For more information, please contact MarinoWARE® Technical Services at 866.545.1545

This technical information reflects the most current information available and supersedes any and all previous publications effective February 23, 2026 | MW_Shaftwall_ASW_Catalog | © WARE Industries, Inc. 2026

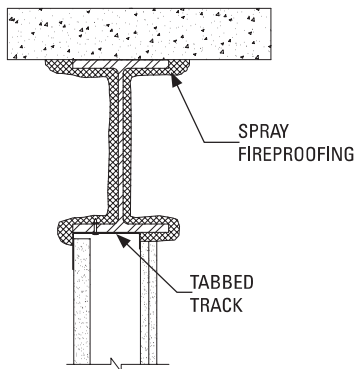
SHAFTWALL SYSTEMS SUGGESTED CONSTRUCTION DETAILS



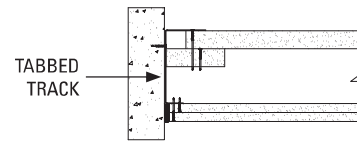
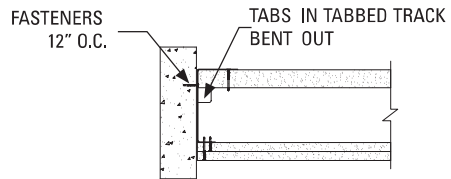
7 Outside Corner Detail



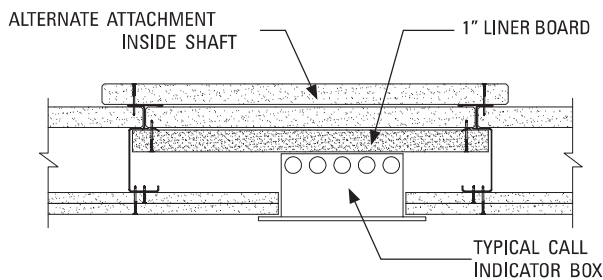
8 Inside Corner Detail



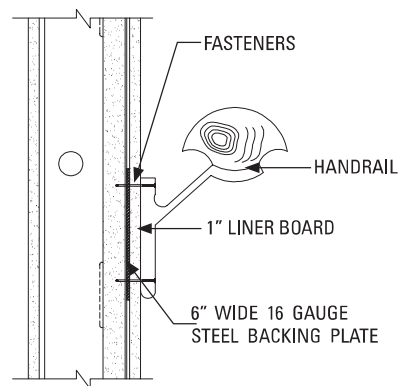
9 Steel Beam Detail



10 End of Wall Detail



11 Call Box/Outlet Box/Mail Chute



12 Handrail Connection