

# Marino\WARE® Product Submittal Data

**PRODUCT NAME:** 600SLT300-43

**PROPERTIES:**

<b>A. Web (in)</b>	6	<b>Yield Strength Fy (KSI)</b>	40
<b>B. Flange (in)</b>	3	<b>Design Thickness (in)</b>	0.0451
<b>Mils</b>	43	<b>Minimum Thickness (in)</b>	0.0428
<b>Available Finish</b>	G60, G90	<b>Gauge</b>	18
<b>Slot (in)</b>	2		

**SECTION PROPERTIES**

GROSS SECTION PROPERTIES

Cross Sectional Area: <b>A</b> (in <sup>2</sup> )	0.5408
Weight of Member: (lb/ft)	1.8402
Section Modulus: <b>Sx</b> (in <sup>3</sup> )	1.0833
Moment of Inertia: <b>Ix</b> (in <sup>4</sup> )	3.3373
Radius of Gyration: <b>Rx</b> (in)	2.4842
Gross Moment of Inertia: <b>Iy</b> (in <sup>4</sup> )	0.4979
Gross Radius of Gyration: <b>Ry</b> (in)	0.9596

TORSIONAL SECTION PROPERTIES

St. Venant Torsional Constant: <b>Jx1000</b> (in <sup>4</sup> )	0.3667
Torsional Warping Constant: <b>Cw</b> (in <sup>6</sup> )	3.2753
Shear Center to Centroid on Principal X-axis: <b>Xo</b> (in)	-1.848
Shear Center to Mid-Plane of the Web: <b>m</b> (in)	1.109
Radius of Gyration on the Centroid Principal axis: <b>Ro</b> (in)	3.242
Torsional Flexural Constant: <b>β</b> [1-(xo/Ro) <sup>2</sup> ]	0.675

**CODES & STANDARDS**

- AISI North American Specification 2007 w/2010 Supplement
- Framing meets ASTM A 1003, A 653, & C 955
- Galvanized steel sheet meets ASTM A 924

**GREEN INFO** LEED® v3

Available LEED® points in the following categories:

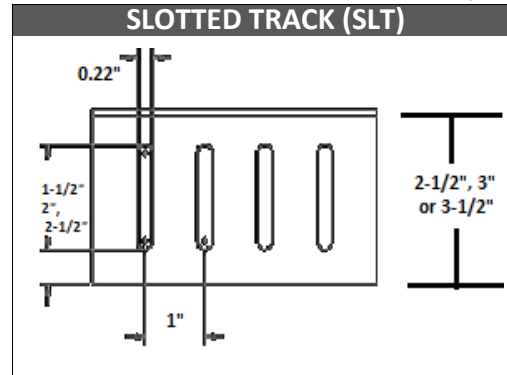
- MR Credit 2 - Construction Waste Management (1-2 points)
- MR Credit 4 - Recycled Content (1-2 points)
- MR Credit 5 - Regional Materials (1-2 points)
- Total Recycled Content: 34.9%
- Post Consumer Content: 24.3%
- Pre Consumer (Post Industrial) Content: 9.4%

**FIRE RATINGS**

- Approved for these UL Head Of Wall Assemblies

HW-D-0003, HW-D-0020, HW-D-0021, HW-D-0024, HW-D-0025, HW-D-0029, HW-D-0031, HW-D-0032, HW-D-0033, HW-D-0034, HW-D-0036, HW-D-0042, HW-D-0043, HW-D-0044, HW-D-0045, HW-D-0046, HW-D-0049, HW-D-0054, HW-D-0058, HW-D-0059, HW-D-0062, HW-D-0063, HW-D-0071, HW-D-0072, HW-D-0073, HW-D-0076, HW-D-0077, HW-D-0079, HW-D-0082, HW-D-0083, HW-D-0084, HW-D-0085, HW-D-0087, HW-D-0088, HW-D-0089, HW-D-0099, HW-D-0101, HW-D-0102, HW-D-0103, HW-D-0104, HW-D-0105, HW-D-0106, HW-D-0107, HW-D-0108, HW-D-0111, HW-D-0127, HW-D-0128, HW-D-0129, HW-D-0130, HW-D-0134, HW-D-0136, HW-D-0139, HW-D-0144, HW-D-0146, HW-D-0152, HW-D-0154, HW-D-0162, HW-D-0170, HW-D-0173, HW-D-0179, HW-D-0180, HW-D-0184, HW-D-0185, HW-D-0190, HW-D-0191, HW-D-0194, HW-D-0205, HW-D-0209, HW-D-0210, HW-D-0217, HW-D-0218, HW-D-0221, HW-D-0222, HW-D-0223, HW-D-0227, HW-D-0227, HW-D-0228, HW-D-0238, HW-D-0239, HW-D-0241, HW-D-0242, HW-D-0243, HW-D-0247, HW-D-0249, HW-D-0252, HW-D-0287, HW-D-0259, HW-D-0260, HW-D-0263, HW-D-0264, HW-D-0265, HW-D-0271, HW-D-0272, HW-D-0278, HW-D-0283, HW-D-0288, HW-D-0292, HW-D-0295, HW-D-0297, HW-D-0298, HW-D-0299, HW-D-0304, HW-D-0305, HW-D-0309, HW-D-0310, HW-D-0313, HW-D-0314, HW-D-0315, HW-D-0316, HW-D-0317, HW-D-0320, HW-D-0321, HW-D-0322, HW-D-0324, HW-D-0324, HW-D-0342, HW-D-0363, HW-D-0365, HW-D-0371, HW-D-0377, HW-D-0380, HW-D-0381, HW-D-0388, HW-D-3393, HW-D-0396, HW-D-0453, HW-D-0456, HW-D-0457, HW-D-0483, HW-D-0484, HW-D-0485, HW-D-0486, HW-D-0523, HW-D-0541, HW-D-0542, HW-D-0545, HW-D-0546, HW-D-0547, HW-D-0548, HW-D-0549, HW-D-0564, HW-D-0569, HW-D-0570, HW-D-0571, HW-D-0572

**05.40.00 Cold-Formed Metal Framing**



For more information, please contact Marino\WARE Technical Services at 866-545-1545.

This technical information reflects the most current information available and supersedes any and all publications, effective 12/1/2010 ©Copyright 2010 by Ware Industries, Inc. All rights reserved