

Marino\WARE® Product Submittal Data

PRODUCT NAME: 800SLT250-54

PROPERTIES:

Web (in.)	8	Yield Strength F_y (ksi)	50
Flange (in.)	2-1/2	Tensile Strength F_u (ksi)	65
Mils	54	Design Thickness (in.)	0.0566
Coating	G60, G90	Minimum Thickness (in.)	0.0538
Slot (in.)	1-1/2	Gauge	16

INSTALLATION NOTES:

- Slotted track thickness cannot be less than stud thickness.
- Max gap is 7/8" for 2-1/2" leg, 1-1/8" max gap for 3" leg, and 1-3/8" max gap for 3-1/2" leg.
- Use #8 x 9/16" wafer head screws for 30 mil and thinner track. For 33 mil and heavier gauges use #10 x 9/16" wafer head screw.

SECTION PROPERTIES

GROSS SECTION PROPERTIES

Cross sectional area: A (in. ²)	0.735
Weight of member: (lb/ft)	2.500
Moment of inertia about x-axis: I_x (in. ⁴)	7.090
Radius of gyration about x-axis: r_x (in.)	3.110
Moment of inertia about y-axis: I_y (in. ⁴)	0.407
Radius of gyration about y-axis: r_y (in.)	0.744

CODES & STANDARDS

- AISI S100 & S240
- ASTM A1003, A653, & C955
- IBC 2015, 2018, 2021

GREEN INFO

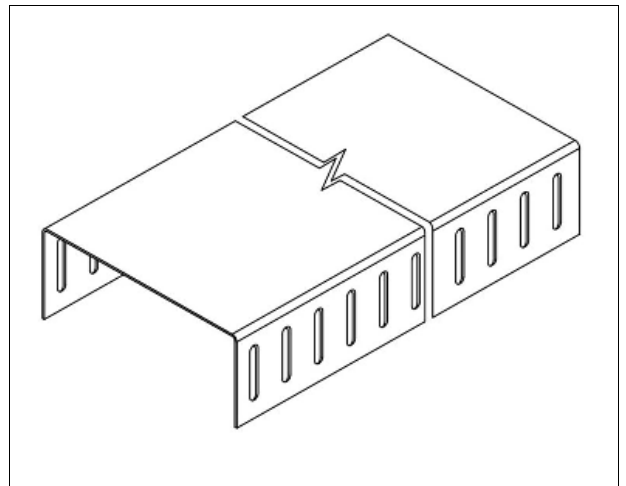
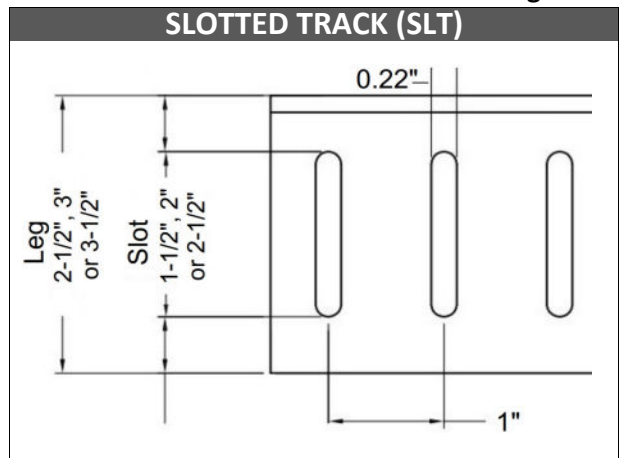
- LEED credits available
- Contact Technical Services for more information.

FIRE RATINGS (UL 2079)

Approved for these UL Head Of Wall Assemblies

HW-D-0003, HW-D-0020, HW-D-0021, HW-D-0024, HW-D-0025, HW-D-0029, HW-D-0031, HW-D-0032, HW-D-0033, HW-D-0034, HW-D-0036, HW-D-0042, HW-D-0043, HW-D-0044, HW-D-0045, HW-D-0046, HW-D-0049, HW-D-0054, HW-D-0056, HW-D-0059, HW-D-0062, HW-D-0063, HW-D-0071, HW-D-0072, HW-D-0073, HW-D-0076, HW-D-0077, HW-D-0079, HW-D-0082, HW-D-0083, HW-D-0084, HW-D-0085, HW-D-0087, HW-D-0088, HW-D-0089, HW-D-0099, HW-D-0101, HW-D-0102, HW-D-0103, HW-D-0104, HW-D-0105, HW-D-0106, HW-D-0107, HW-D-0108, HW-D-0111, HW-D-0127, HW-D-0128, HW-D-0129, HW-D-0130, HW-D-0134, HW-D-0136, HW-D-0137, HW-D-0144, HW-D-0146, HW-D-0152, HW-D-0154, HW-D-0162, HW-D-0170, HW-D-0173, HW-D-0179, HW-D-0180, HW-D-0184, HW-D-0185, HW-D-0190, HW-D-0191, HW-D-0194, HW-D-0205, HW-D-0209, HW-D-0210, HW-D-0217, HW-D-0218, HW-D-0221, HW-D-0222, HW-D-0241, HW-D-0242, HW-D-0243, HW-D-0247, HW-D-0249, HW-D-0252, HW-D-0257, HW-D-0259, HW-D-0260, HW-D-0263, HW-D-0264, HW-D-0265, HW-D-0271, HW-D-0272, HW-D-0278, HW-D-0283, HW-D-0288, HW-D-0292, HW-D-0295, HW-D-0297, HW-D-0298, HW-D-0299, HW-D-0313, HW-D-0321, HW-D-0322, HW-D-0324, HW-D-0342, HW-D-0363, HW-D-0365, HW-D-0371, HW-D-0377, HW-D-0380, HW-D-0381, HW-D-0388, HW-D-0396, HW-D-0453, HW-D-0456, HW-D-0457, HW-D-0483, HW-D-0484, HW-D-0485, HW-D-0486, HW-D-0514, HW-D-0515, HW-D-0518, HW-D-0523, HW-D-0524, HW-D-0541, HW-D-0542, HW-D-0545, HW-D-0546, HW-D-0547, HW-D-0548, HW-D-0549, HW-D-0550, HW-D-0551, HW-D-0553, HW-D-0554, HW-D-0556, HW-D-0653, HW-D-0654, HW-D-0659, HW-D-0670, HW-D-0671, HW-D-0672, HW-D-0673, HW-D-0677, HW-D-0679, HW-D-0680, HW-D-0682, HW-D-0683, HW-D-0684, HW-D-0696, HW-D-0620, HW-D-0621, HW-D-0622, HW-D-0623, HW-D-0644, HW-D-0645, HW-D-0646, HW-D-0652, HW-D-0653, HW-D-0654, HW-D-0655, HW-D-0656, HW-D-0657, HW-D-0658, HW-D-0659, HW-D-0660, HW-D-0661, HW-D-0662, HW-D-0663, HW-D-0664, HW-D-0665, HW-D-0666, HW-D-0667, HW-D-0668, HW-D-0669, HW-D-0670, HW-D-0671, HW-D-0672, HW-D-0673, HW-D-0674, HW-D-0675, HW-D-0676, HW-D-0677, HW-D-0678, HW-D-0679, HW-D-0680, HW-D-0681, HW-D-0682, HW-D-0683, HW-D-0684, HW-D-0685, HW-D-0686, HW-D-0687, HW-D-0688, HW-D-0689, HW-D-0690, HW-D-0691, HW-D-0692, HW-D-0693, HW-D-0694, HW-D-0695, HW-D-0696, HW-D-0697, HW-D-0698, HW-D-0699, HW-D-0700, HW-D-0701, HW-D-0702, HW-D-0703, HW-D-0704, HW-D-0705, HW-D-0706, HW-D-0707, HW-D-0708, HW-D-0709, HW-D-0710, HW-D-0711, HW-D-0712, HW-D-0713, HW-D-0714, HW-D-0715, HW-D-0716, HW-D-0717, HW-D-0718, HW-D-0719, HW-D-0720, HW-D-0721, HW-D-0722, HW-D-0723, HW-D-0724, HW-D-0725, HW-D-0726, HW-D-0727, HW-D-0728, HW-D-0729, HW-D-0730, HW-D-0731, HW-D-0732, HW-D-0733, HW-D-0734, HW-D-0735, HW-D-0736, HW-D-0737, HW-D-0738, HW-D-0739, HW-D-0740, HW-D-0741, HW-D-0742, HW-D-0743, HW-D-0744, HW-D-0745, HW-D-0746, HW-D-0747, HW-D-0748, HW-D-0749, HW-D-0750, HW-D-0751, HW-D-0752, HW-D-0753, HW-D-0754, HW-D-0755, HW-D-0756, HW-D-0757, HW-D-0758, HW-D-0759, HW-D-0760, HW-D-0761, HW-D-0762, HW-D-0763, HW-D-0764, HW-D-0765, HW-D-0766, HW-D-0767, HW-D-0768, HW-D-0769, HW-D-0770, HW-D-0771, HW-D-0772, HW-D-0773, HW-D-0774, HW-D-0775, HW-D-0776, HW-D-0777, HW-D-0778, HW-D-0779, HW-D-0780, HW-D-0781, HW-D-0782, HW-D-0783, HW-D-0784, HW-D-0785, HW-D-0786, HW-D-0787, HW-D-0788, HW-D-0789, HW-D-0790, HW-D-0791, HW-D-0792, HW-D-0793, HW-D-0794, HW-D-0795, HW-D-0796, HW-D-0797, HW-D-0798, HW-D-0799, HW-D-0800, HW-D-0801, HW-D-0802, HW-D-0803, HW-D-0804, HW-D-0805, HW-D-0806, HW-D-0807, HW-D-0808, HW-D-0809, HW-D-0810, HW-D-0811, HW-D-0812, HW-D-0813, HW-D-0814, HW-D-0815, HW-D-0816, HW-D-0817, HW-D-0818, HW-D-0819, HW-D-0820, HW-D-0821, HW-D-0822, HW-D-0823, HW-D-0824, HW-D-0825, HW-D-0826, HW-D-0827, HW-D-0828, HW-D-0829, HW-D-0830, HW-D-0831, HW-D-0832, HW-D-0833, HW-D-0834, HW-D-0835, HW-D-0836, HW-D-0837, HW-D-0838, HW-D-0839, HW-D-0840, HW-D-0841, HW-D-0842, HW-D-0843, HW-D-0844, HW-D-0845, HW-D-0846, HW-D-0847, HW-D-0848, HW-D-0849, HW-D-0850, HW-D-0851, HW-D-0852, HW-D-0853, HW-D-0854, HW-D-0855, HW-D-0856, HW-D-0857, HW-D-0858, HW-D-0859, HW-D-0860, HW-D-0861, HW-D-0862, HW-D-0863, HW-D-0864, HW-D-0865, HW-D-0866, HW-D-0867, HW-D-0868, HW-D-0869, HW-D-0870, HW-D-0871, HW-D-0872, HW-D-0873, HW-D-0874, HW-D-0875, HW-D-0876, HW-D-0877, HW-D-0878, HW-D-0879, HW-D-0880, HW-D-0881, HW-D-0882, HW-D-0883, HW-D-0884, HW-D-0885, HW-D-0886, HW-D-0887, HW-D-0888, HW-D-0889, HW-D-0890, HW-D-0891, HW-D-0892, HW-D-0893, HW-D-0894, HW-D-0895, HW-D-0896, HW-D-0897, HW-D-0898, HW-D-0899, HW-D-0900, HW-D-0901, HW-D-0902, HW-D-0903, HW-D-0904, HW-D-0905, HW-D-0906, HW-D-0907, HW-D-0908, HW-D-0909, HW-D-0910, HW-D-0911, HW-D-0912, HW-D-0913, HW-D-0914, HW-D-0915, HW-D-0916, HW-D-0917, HW-D-0918, HW-D-0919, HW-D-0920, HW-D-0921, HW-D-0922, HW-D-0923, HW-D-0924, HW-D-0925, HW-D-0926, HW-D-0927, HW-D-0928, HW-D-0929, HW-D-0930, HW-D-0931, HW-D-0932, HW-D-0933, HW-D-0934, HW-D-0935, HW-D-0936, HW-D-0937, HW-D-0938, HW-D-0939, HW-D-0940, HW-D-0941, HW-D-0942, HW-D-0943, HW-D-0944, HW-D-0945, HW-D-0946, HW-D-0947, HW-D-0948, HW-D-0949, HW-D-0950, HW-D-0951, HW-D-0952, HW-D-0953, HW-D-0954, HW-D-0955, HW-D-0956, HW-D-0957, HW-D-0958, HW-D-0959, HW-D-0960, HW-D-0961, HW-D-0962, HW-D-0963, HW-D-0964, HW-D-0965, HW-D-0966, HW-D-0967, HW-D-0968, HW-D-0969, HW-D-0970, HW-D-0971, HW-D-0972, HW-D-0973, HW-D-0974, HW-D-0975, HW-D-0976, HW-D-0977, HW-D-0978, HW-D-0979, HW-D-0980, HW-D-0981, HW-D-0982, HW-D-0983, HW-D-0984, HW-D-0985, HW-D-0986, HW-D-0987, HW-D-0988, HW-D-0989, HW-D-0990, HW-D-0991, HW-D-0992, HW-D-0993, HW-D-0994, HW-D-0995, HW-D-0996, HW-D-0997, HW-D-0998, HW-D-0999, HW-S-0133.

05.40.00 Cold-Formed Metal Framing



For more information, please contact Marino\WARE Technical Services at 866-545-1545.

This technical information reflects the most current information available and supersedes any and all publications, effective 3/15/2024
©Copyright 2024 by Ware Industries, Inc. All rights reserved