

Marino\WARE® Product Submittal Data

PRODUCT NAME: SMOKE & SOUND STOP

*Manufactured by CEMCO, distributed by Marino\WARE

PRODUCT:

A compressible rectangular foam that provides a flexible backing for smoke and sound abatement at interior building joints, and is sound tested to ASTM E90. Identified by yellow color.

- Install at interior perimeter building joints only, free from loose materials, frost and not recommended for wet areas.
- Open cell composition provides flexible backing and shall be covered with joint compound, tape, sealant or trim.
- Maintains flexibility for life of interior building joint, will not shrink or harden over time.
- Will resist oil, gasoline and most solvents. Material is odorless.

PACKAGING

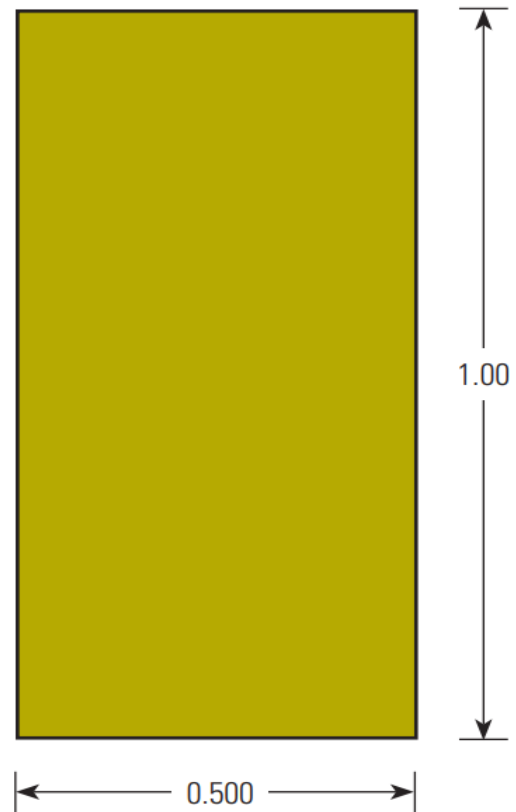
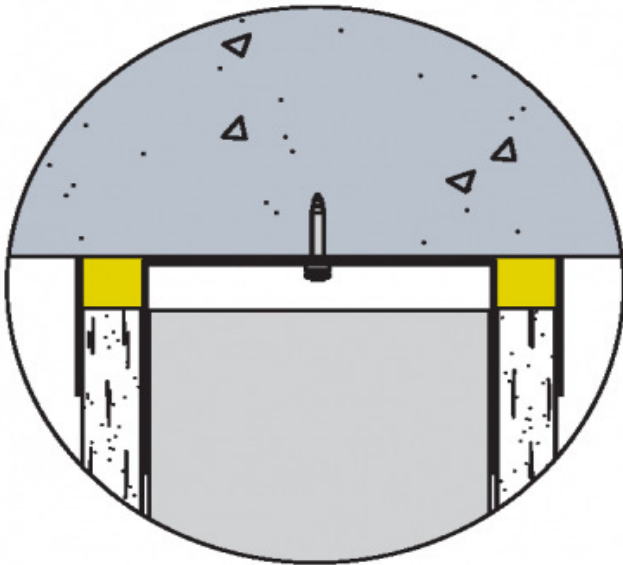
1 continuous roll, 1080 ft per box, 12 boxes per pallet

SOUND TEST DATA

WEAL Report: TL17-431

STC-60

Contact Technica



CODES & STANDARDS

- IBC: 2012, 2015, 2018
- ASTM E119 - Standard Test Methods for Fire Tests of Building Construction and Material.
- ASTM E90 - Sound tested
- Air Leakage Tests for compliance to Section 713.6 of the IBC.



For more information, please contact Marino\WARE Technical Services at 866-545-1545.

This technical information reflects the most current information available and supersedes any and all publications, effective 1/10/2018
©Copyright 2018 by Ware Industries, Inc. All rights reserved