

SOLID BLOCKING (JB)

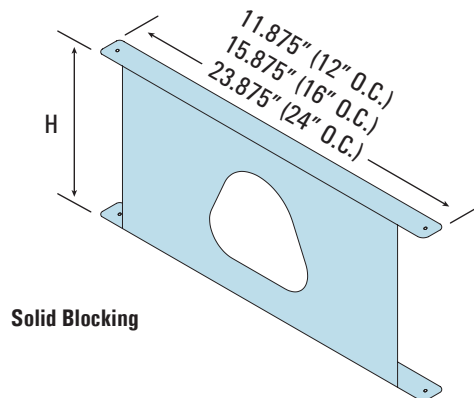
Blocking is pre-cut to fit securely between joists to prevent joist rotation. Blocking is a one piece system in lieu of the typical 3 piece detail offering an economical alternative to installing conventional clips and solid web members.

MATERIAL: 16 ga (54 mil) 50ksi

FINISH: Galvanized – G90

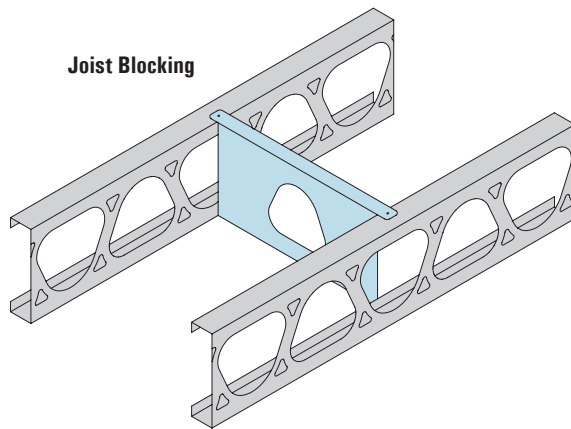
INSTALLATION:

- Position the pre-cut Blocking to fit securely between the joists.
- (4) #10 - 16 screws are required to secure the blocking to the joist flanges using the pre-punched holes.
- Solid blocking should be installed 7' o.c. maximum along the joist length.
- Fits up to 2" flange product.
- Blocking for 2-1/2" and 3" flanges available as a special order.

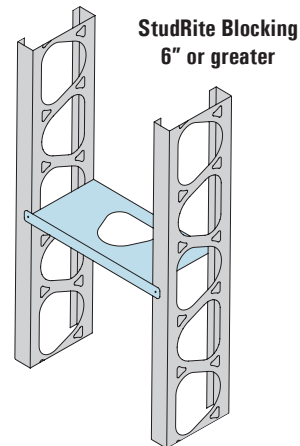


Solid Blocking

Model No.	Size (H)	Spacing (o.c.)	Box Quantity
800JB-12	8"	12	10
925JB-12	9-1/4"	12	10
1000JB-12	10"	12	10
1125JB-12	11-1/4"	12	10
1200JB-12	12"	12	10
1400JB-12	14"	12	10
600SB-16	6"	16	10
800JB-16	8"	16	10
925JB-16	9-1/4"	16	10
1000JB-16	10"	16	10
1125JB-16	11-1/4"	16	10
1200JB-16	12"	16	10
1400JB-16	14"	16	10
800JB-24	8"	24	10
925JB-24	9-1/4"	24	10
1000JB-24	10"	24	10
1125JB-24	11-1/4"	24	10
1200JB-24	12"	24	10
1400JB-24	14"	24	10



Joist Blocking



StudRite Blocking
6" or greater

*6 Solid Blocking designed for 1-5/8" flange only

WEB STIFFENER (JS)

Web Stiffeners are used to provide reinforcement of joist webs to prevent crippling. Web reinforcement is often required by design to enhance the load capacity of joists. Web stiffeners are installed on the inside or outside of the joist.

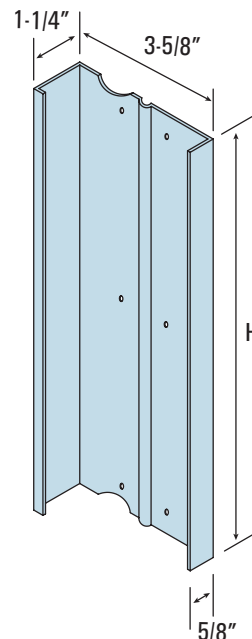
MATERIAL: 16 ga (54 mil) 50ksi

FINISH: Galvanized – G90

INSTALLATION:

- Web stiffeners are centered within the load or reaction bearing width.
- Web stiffeners require full bearing along their supported ends.
- (4-6) #10 - 16 screws are required to attach the stiffener to the joist web using pre-punched holes.

Web Stiffener



Model No.	Joist Size	Height (H)	Box Quantity
8JS-362	8"	7-11/16"	24
925JS-362	9-1/4"	8-15/16"	24
10JS-362	10"	9-11/16"	24
1125JS-362	11-1/4"	10-15/16"	24
12JS-362	12"	11-11/16"	24
14JS-362	14"	13-11/16"	24

