



Product Description

MarinoWARE Sound Gasket is a vinyl accessory that provides smoke and sound ratings for both dynamic and static joints. The unique vinyl profile provides a seal along the inside leg to prevent sound flanking along the leg of the slotted track and framing screws while the outer bubble gasket will compress to seal against uneven concrete.

- 🔴 Mechanically or adhesively fastened to the leg of the track. Features a 3/8" hollow bubble gasket on the upper corner that is easily compressed to seal against uneven concrete or fluted decks. Once properly installed, the Sound Gasket provides an unbreakable seal to provide long-term smoke and sound protection.
- 🔴 Takes the place of acoustic sealant at building joints.
- 🔴 Can be used on head-of-wall, bottom-of-wall, and wall-to-wall building joints.
- 🔴 Tested for air leakage for compliance with Section 713.6 of IBC and CBC.
- 🔴 Manufactured in a light blue color vinyl that is easily identified by the inspector.
- 🔴 Installs fully cured, unaffected by water/moisture/temperature.
- 🔴 Very durable and not easily damaged. Once installed, it will not delaminate, take in water, shrink, or harden over time.
- 🔴 Installs on both sides of the wall and comes in 10' lengths.
- 🔴 Can be installed to the track leg before or after fastening the track in place.
- 🔴 Provides up to 1-1/2" overall unencumbered movement.
- 🔴 Provides Sound Transmission Classification (STC) ratings up to 67.
- 🔴 Paintable.

Ordering / Packaging

Description	Part #	Size	Length	Pcs/Ctn	Movement	Submitted for Review/Use	✓
SOUND GASKET .5	SG.5	3/8" x 1-1/4"	5'	60	1/2" total	SG.5	
SOUND GASKET 1	SG1	3/8" x 1-5/8"	5'	60	1" total	SG1	
SOUND GASKET 1.5*	SG1.5	3/8" x 2-1/4"	5'	50	1-1/2" total	SG1.5	

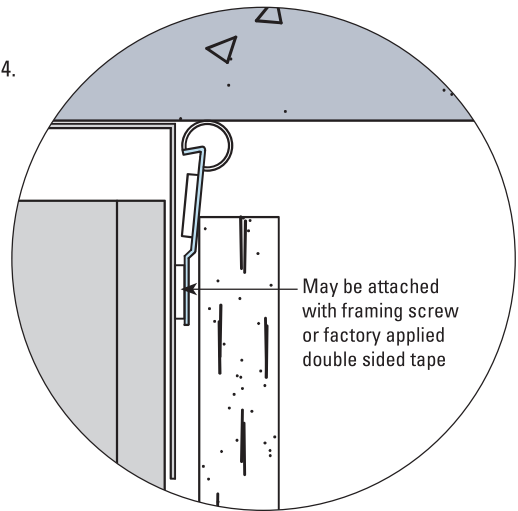
*Special Order, longer leadtime

Storage / Warranty

- 🔴 When stored indoors and kept dry in the original package, Sound Gasket will provide unlimited shelf life.
- 🔴 See Firestop Product Warranty for details.

ASTM & Code Standards

- 🔴 Sound Tested in accordance with ASTM E90-09
- 🔴 Achieves a Class A rating for flame spread and smoke developed when tested under ASTM E84.
- 🔴 Air leakage tests conducted for compliance with Section 713.6 of IBC and CBC.
- 🔴 **U.S. Patent No. 10,246,871; 10,753,084; 10,954,670**



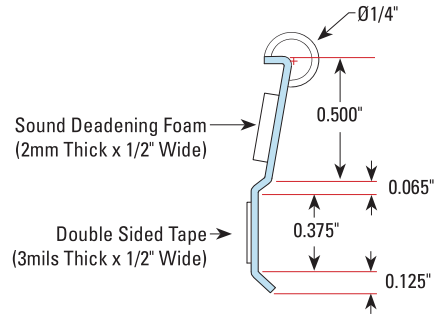
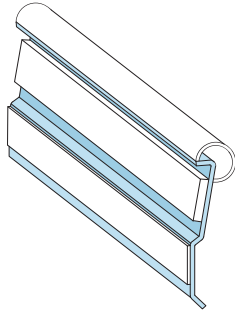
Always check UL Fire resistance directory for complete design requirements.

For more information, please contact MarinoWARE® Technical Services at 866.545.1545

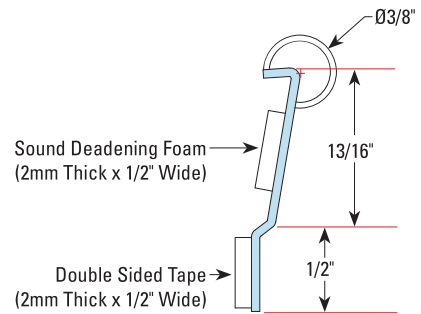
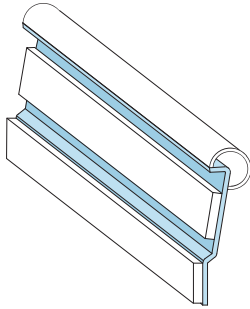
This technical information reflects the most current information available and supersedes any and all previous publications effective

July 18, 2025 | MW_Firestop_Catalog | ©WARE Industries, Inc. 2025

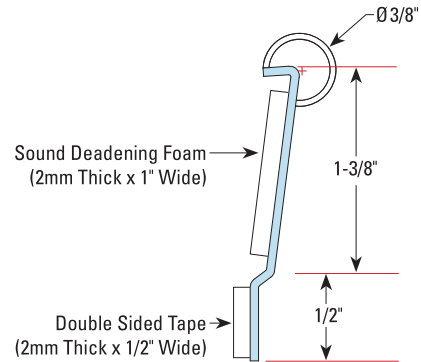
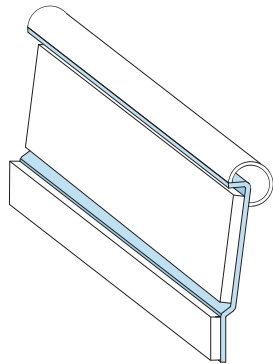
SG.5



SG1



SG1.5



← View the installation video!



← View the installation guide!

Always check UL Fire resistance directory for complete design requirements.

For more information, please contact MarinoWARE® Technical Services at 866.545.1545

This technical information reflects the most current information available and supersedes any and all previous publications effective July 18, 2025 | MW_Firestop_Catalog | ©WARE Industries, Inc. 2025