

Marino\WARE® Product Submittal Data

PRODUCT NAME: SUREBOARD for SHEAR (200W)

-Manufactured by CEMCO

PROPERTIES:

SureBoard for Shear is a sheet steel and medium density fiberboard (MDF) composite used for shear resistance. Series 200W can be used on wood or steel framing.

Panel	Length (ft)*	Width	Substrate	Steel (ga)
Series 200W	8, 9, 10 & 12	4ft	1/8" MDF	22

** Special lengths may be ordered, surcharges apply

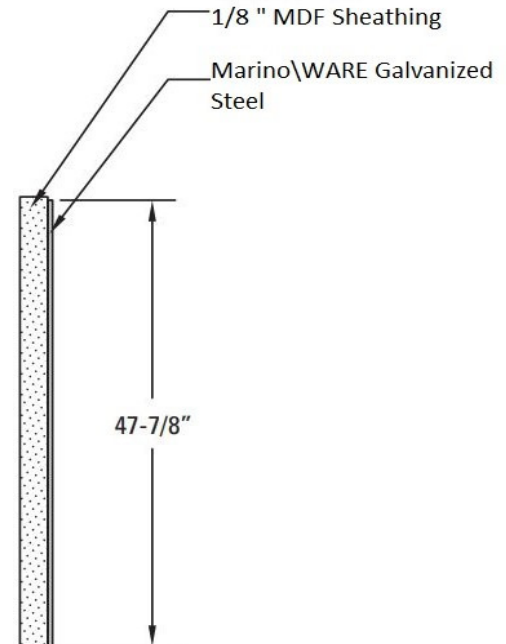
**Freight charges apply

CODES & STANDARDS

- ASTM A653, A924 &/or A1003 (Steel)
- IBC 2012, 2015
- IAPMO Code Evaluation Report (ER-126)

GREEN INFO

- LEED v3 & LEED v4 credits available
- Contact Technical Services for more information



www.marinoware.com

For more information, please contact Marino\WARE Technical Services at 866-545-1545.

This technical information reflects the most current information available and supersedes any and all publications, effective 11/1/2018
©Copyright 2018 by Ware Industries, Inc. All rights reserved

