

# Marino\WARE® Product Submittal Data

**PRODUCT NAME:** 1 X 1 UTILITY ANGLE

**MARINO\WARE PART #** CJ

**PROPERTIES:**

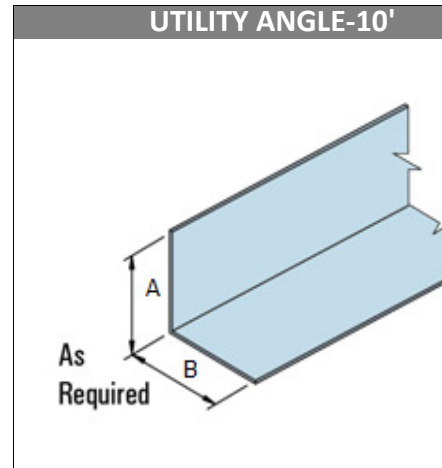
|                         |                 |                                  |        |
|-------------------------|-----------------|----------------------------------|--------|
| <b>Leg A (in)</b>       | 1               | <b>Yield Strength Fy (KSI)</b>   | 33     |
| <b>Leg B (in)</b>       | 1               | <b>Tensile Strength Fu (KSI)</b> | 45     |
| <b>Mils</b>             | 18              | <b>Design Thickness (in)</b>     | 0.0188 |
| <b>Available Finish</b> | G40, G60 or G90 | <b>Minimum Thickness (in)</b>    | 0.0179 |
|                         |                 | <b>Gauge</b>                     | 25     |

09.22.16 Non Structural Metal Framing

**SECTION PROPERTIES**

**GROSS SECTION PROPERTIES**

|   |           |
|---|-----------|
| Cross Sectional Area: <b>A</b> (in <sup>2</sup> )     | 0.036490  |
| Weight of Member: <b>(lb/ft)</b>                      | 0.12407   |
| Moment of Inertia: <b>Ix</b> (in <sup>4</sup> )       | 0.006091  |
| Section Modulus: <b>Sx-t</b> (in <sup>3</sup> )       | 0.0086145 |
| Section Modulus: <b>Sx-b</b> (in <sup>3</sup> )       | 0.0086145 |
| Gross Section Modulus: <b>Sy-l</b> (in <sup>3</sup> ) | 0.0043193 |
| Gross Section Modulus: <b>Sy-r</b> (in <sup>3</sup> ) | 0.0040635 |
| Gross Moment of Inertia: <b>Iy</b> (in <sup>4</sup> ) | 0.001419  |



**CODES & STANDARDS**

- AISI S100-07, IBC 2009 compliant
- ASTM C 955 (33 mil - 118 mil) & ASTM C 645 (18 mil - 33 mil) compliant
- Galvanized steel sheet meets ASTM A 1003 & A 653

**GREEN INFO** LEED® v3

Available LEED® points in the following categories:

- MR Credit 2 - Construction Waste Management (1-2 points)
- MR Credit 4 - Recycled Content (1-2 points)
- MR Credit 5 - Regional Materials (1-2 points)
- Total Recycled Content: 34.9%
- Post Consumer Content: 24.3%
- Pre Consumer (Post Industrial) Content: 9.4%



For more information, please contact Marino\WARE Technical Services at 866-545-1545.

This technical information reflects the most current information available and supersedes any and all publications, effective 10/1/2011  
©Copyright 2011 by Ware Industries, Inc. All rights reserved