

# Marino\WARE® Product Submittal Data

**PRODUCT NAME:** 4 X 4 UTILITY ANGLE

**MARINO\WARE PART #** 400CJ18

## PROPERTIES:

Leg A (in)	4	Yield Strength Fy (KSI)	33
Leg B (in)	4	Tensile Strength Fu (KSI)	45
Mils	43	Design Thickness (in)	0.0451
Available Finish	G40, G60, G90	Minimum Thickness (in)	0.0428
		Gauge	18

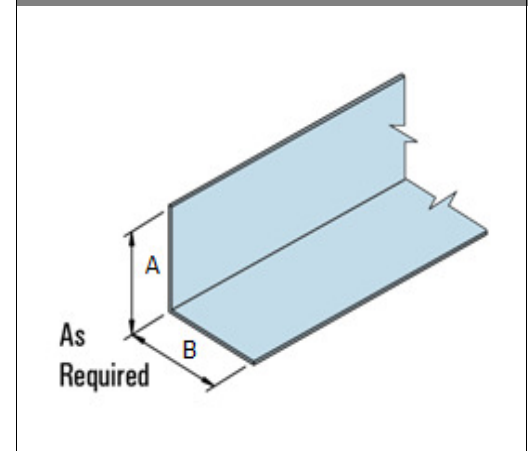
## SECTION PROPERTIES

### GROSS SECTION PROPERTIES

Cross Sectional Area: <b>A</b> (in <sup>2</sup> )	0.3570
Weight of Member: <b>(lb/ft)</b>	1.2136
Moment of Inertia: <b>Ix</b> (in <sup>4</sup> )	0.9460
Section Modulus: <b>Sx-t</b> (in <sup>3</sup> )	0.3345
Section Modulus: <b>Sx-b</b> (in <sup>3</sup> )	0.3345
Gross Section Modulus: <b>Sy-l</b> (in <sup>3</sup> )	0.1666
Gross Section Modulus: <b>Sy-r</b> (in <sup>3</sup> )	0.1646
Gross Moment of Inertia: <b>Iy</b> (in <sup>4</sup> )	0.2328

## 05.40.00 Cold-Formed Metal Framing

### UTILITY ANGLE-10'



## CODES & STANDARDS

- AISI S100, IBC 20105, 2018, 2021 compliant
- ASTM C955 & AISI S240 (33 mil - 118 mil)
- ASTM C645 & AISI S220 (18 mil - 33 mil)
- Galvanized steel sheet meets ASTM A1003 or A653

## GREEN INFO

- LEED credits available
- Contact Technical Services for more information.