

Marino\WARE® Product Submittal Data

PRODUCT NAME: 7/8 X 1-3/8 UTILITY ANGLE

MARINO\WARE PART # CJ

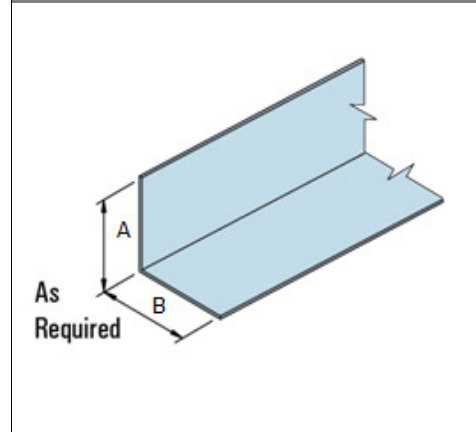
PROPERTIES:

Leg A (in)	7/8	Yield Strength Fy (KSI)	33
Leg B (in)	1-3/8	Tensile Strength Fu (KSI)	45
Mils	33	Design Thickness (in)	0.0346
Available Finish	G40, G60 or G90	Minimum Thickness (in)	0.0329
		Gauge	20

09.22.16 Non Structural Metal Framing

05.40.00 Cold-Formed Metal Framing

UTILITY ANGLE-10'



SECTION PROPERTIES

GROSS SECTION PROPERTIES

Cross Sectional Area: A (in ²)	0.075261
Weight of Member: (lb/ft)	0.25589
Moment of Inertia: Ix (in ⁴)	0.15634
Section Modulus: Sx-t (in ³)	0.19572
Section Modulus: Sx-b (in ³)	0.19734
Gross Section Modulus: Sy-l (in ³)	0.012137
Gross Section Modulus: Sy-r (in ³)	0.008739
Gross Moment of Inertia: Iy (in ⁴)	0.004831

CODES & STANDARDS

- AISI S100-07, IBC 2009 compliant
- ASTM C 955 (33 mil - 118 mil) & ASTM C 645 (18 mil - 33 mil) compliant
- Galvanized steel sheet meets ASTM A 1003 & A 653

GREEN INFO LEED® v3

Available LEED® points in the following categories:

- MR Credit 2 - Construction Waste Management (1-2 points)
- MR Credit 4 - Recycled Content (1-2 points)
- MR Credit 5 - Regional Materials (1-2 points)

- Total Recycled Content: 34.9%
- Post Consumer Content: 24.3%
- Pre Consumer (Post Industrial) Content: 9.4%



For more information, please contact Marino\WARE Technical Services at 866-545-1545.

This technical information reflects the most current information available and supersedes any and all publications, effective 10/1/2011
©Copyright 2011 by Ware Industries, Inc. All rights reserved