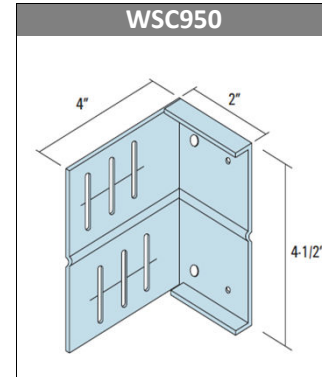


Marino\WARE® Product Submittal Data

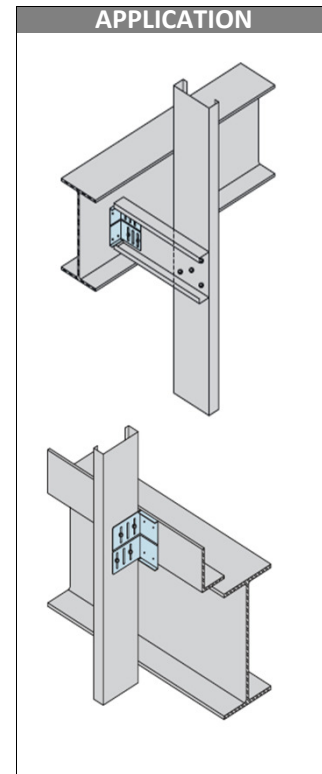
MARINO\WARE PART # WSC950

MATERIAL: See Table
FINISH: Galvanized – G90
SCREWS: Not Included

Part No.	Ga/Mil	Yield	Finish	Box Qty
WSC950	16ga (54)	50 KSI	G-90	25



Connection to Structure Hilti 0.145" X-EDNI Powder Actuated Fastener in 3/16" Steel				Connection to Structure #12-14 Hilti kwik Pro Self Drilling Screws to 3/16" Steel			
			WSC950				WSC950
Ga/Mil	No. of Screws	No. of Anchors	e Load (lbs.)	Ga/Mil	No. of Screws	Anchor s	Load (lbs.)
20 ga. (33) 33ksi	4	2	220	20 ga. (33) 33ksi	4	2	500
		3	335			3	557
		4	445			4	557
20 ga. (33) 33ksi	6	2	220	20 ga. (33) 33ksi	6	2	500
		3	335			3	750
		4	445			4	835
18 ga (43) 33ksi	4	2	220	18 ga (43) 33ksi	4	2	500
		3	335			3	750
		4	445			4	827
18 ga (43) 33ksi	6	2	220	18 ga (43) 33ksi	6	2	500
		3	335			3	750
		4	445			4	945
16 ga. (54) 33ksi	4	2	220	16 ga. (54) 33ksi	4	2	500
		3	335			3	750
		4	445			4	945
16 ga. (54) 33ksi	6	2	220	16 ga. (54) 33ksi	6	2	500
		3	335			3	750
		4	445			4	945
16 ga. (54) 50ksi	4	2	220	16 ga. (54) 50ksi	4	2	500
		3	335			3	750
		4	445			4	945
16 ga. (54) 50ksi	6	2	220	16 ga. (54) 50ksi	6	2	500
		3	335			3	750
		4	445			4	945
14 ga. (68) 50ksi	4	2	220	14 ga. (68) 50ksi	4	2	500
		3	335			3	750
		4	445			4	945
14 ga. (68) 50ksi	6	2	220	14 ga. (68) 50ksi	6	2	500
		3	335			3	750
		4	445			4	945



NOTES

- All anchors must be attached in a single file line down the center of the clip, do not use predrilled holes if attaching with PAF.
- All anchor data is from the Hilti 2006 Product Technical Guide.
- All anchors must be attached to structure per manufacturer's instructions.
- All manufacturer's guidelines must be followed for anchor spacing and edge distance.
- Screws are not included, standard screws are used and backed out 1/4 turn after installation

GREEN INFO LEED® v3

Available LEED® points in the following categories:

- MR Credit 2 - Construction Waste Management (1-2 points)
- MR Credit 4 - Recycled Content (1-2 points)
- MR Credit 5 - Regional Materials (1-2 points)
- Total Recycled Content: 34.9%
- Post Consumer Content: 24.3%
- Pre Consumer (Post Industrial) Content: 9.4%



For more information, please contact Marino\WARE Technical Services at 866-545-1545.

This technical information reflects the most current information available and supersedes any and all publications, effective 8/15/2014
 © Copyright 2014 by Ware Industries, Inc. All rights reserved