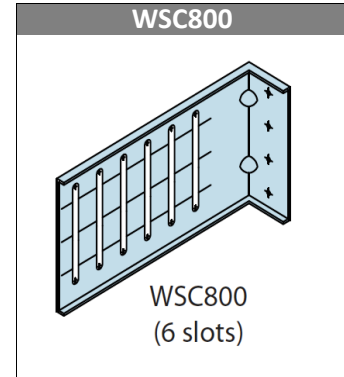


Marino\WARE® Product Submittal Data

MARINO\WARE PART # WSC800

MATERIAL: See Table
FINISH: Galvanized – G90
SCREWS: #14 Shouldered screws included.

Part No.	Ga/Mil	Material	Finish	Size
WSC362	14ga (68)	50 KSI	G-90	4" x 1.5" x 3.5"
WSC600	14ga (68)	50 KSI	G-90	4" x 1.5" x 5.5"
WSC800	14ga (68)	50 KSI	G-90	4" x 1.5" x 7.5"
WSC1000	14ga (68)	50 KSI	G-90	4" x 1.5" x 9.5"
WSC1200	14ga (68)	50 KSI	G-90	4" x 1.5" x 11.5"



CONCENTRIC TENSION (lbs.)

# Screws	CFS Member			
	33 mil	43 mil	54 mil	68 mil
2	376	560	652	652
3	564	840	978	978
4	752	1120	1304	1304
5	940	1400	1559	1559

ECCENTRIC TENSION (lbs.)

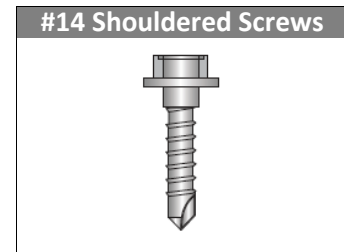
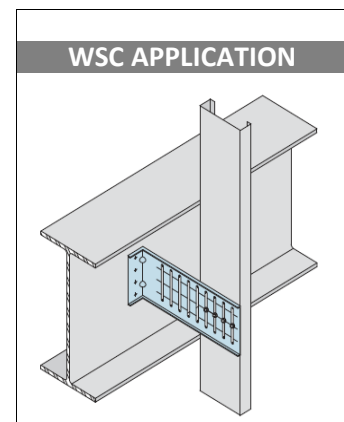
# Screws	CFS Member			
	33 mil	43 mil	54 mil	68 mil
2	376	560	652	652
3	564	840	978	978
4	752	1120	1304	1304
5	940	1400	1315	1315

CONCENTRIC COMPRESSION (lbs.)

# Screws	CFS Member			
	33 mil	43 mil	54 mil	68 mil
2	376	560	652	652
3	564	840	966	966
4	752	966	966	966
5	940	966	966	966

ECCENTRIC COMPRESSION (lbs.)

# Screws	CFS Member			
	33 mil	43 mil	54 mil	68 mil
2	376	560	652	652
3	564	788	788	788
4	752	788	788	788
5	788	788	788	788



NOTES

- Allowable loads have not been increased for wind or seismic.
- Attachment of WSC clip to main structure should be engineered by a design professional for steel or concrete base materials.
- Allowable loads are based on attachment to main structure through pilot holes with #10-24 cap screws with a head diameter of 0.29".
- Safety factor, Ω , determined in accordance with the provision of section F1.2 of the NASPEC with statistical data specified in AC261 and from test data.
- The serviceability limit of 1/8" deflection between the stud and supporting structure did not govern in testing.
- Eccentric tension and compression values represent clip capacity after structure deflects +/- 1-1/2" up or down from center of the clip.

CODES & STANDARDS

- Steel meets ASTM A1003
- Coating meets ASTM A1003, A653
- ICC ES ESR-3578

GREEN INFO

- LEED v4 credits available
- Contact Technical Services for more information

ClipSource



For more information, please contact Marino\WARE Technical Services at 866-545-1545.

This technical information reflects the most current information available and supersedes any and all publications, effective 10/1/2021.

© Copyright 2021 by Ware Industries, Inc. All rights reserved