

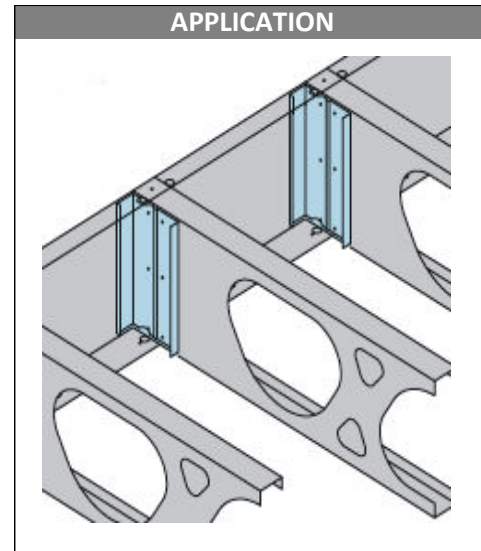
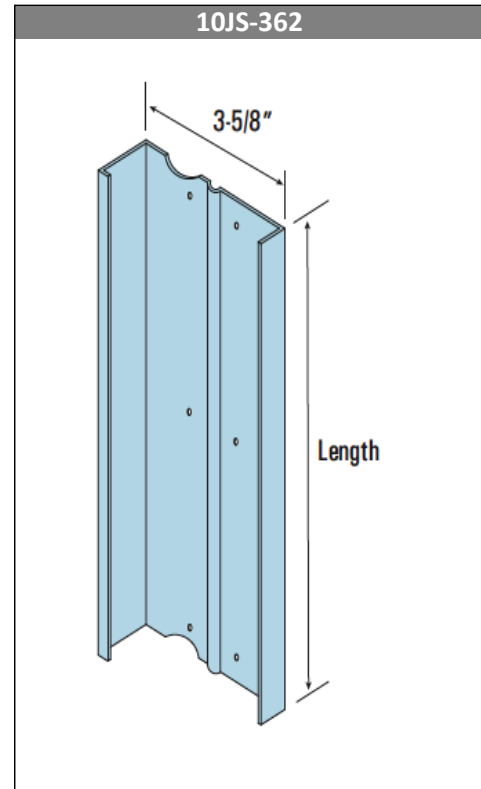
Marino\WARE® Product Submittal Data

MARINO\WARE PART # 10JS-362 Web Stiffener

MATERIAL: 16 ga (54 mil) 50ksi

FINISH: Galvanized – G90

Part No.	Size (in.)	Box Qty
8JS-362	8"	24
925JS-362	9-1/4"	24
10JS-362	10"	24
1125JS-362	11-1/4"	24
12JS-362	12"	24
14JS-362	14"	24



CODES & STANDARDS

- Steel meets ASTM A1003
- Coating meets ASTM A1003, A653

GREEN INFO

- LEED v4 credits available
- Contact Technical Services for more information