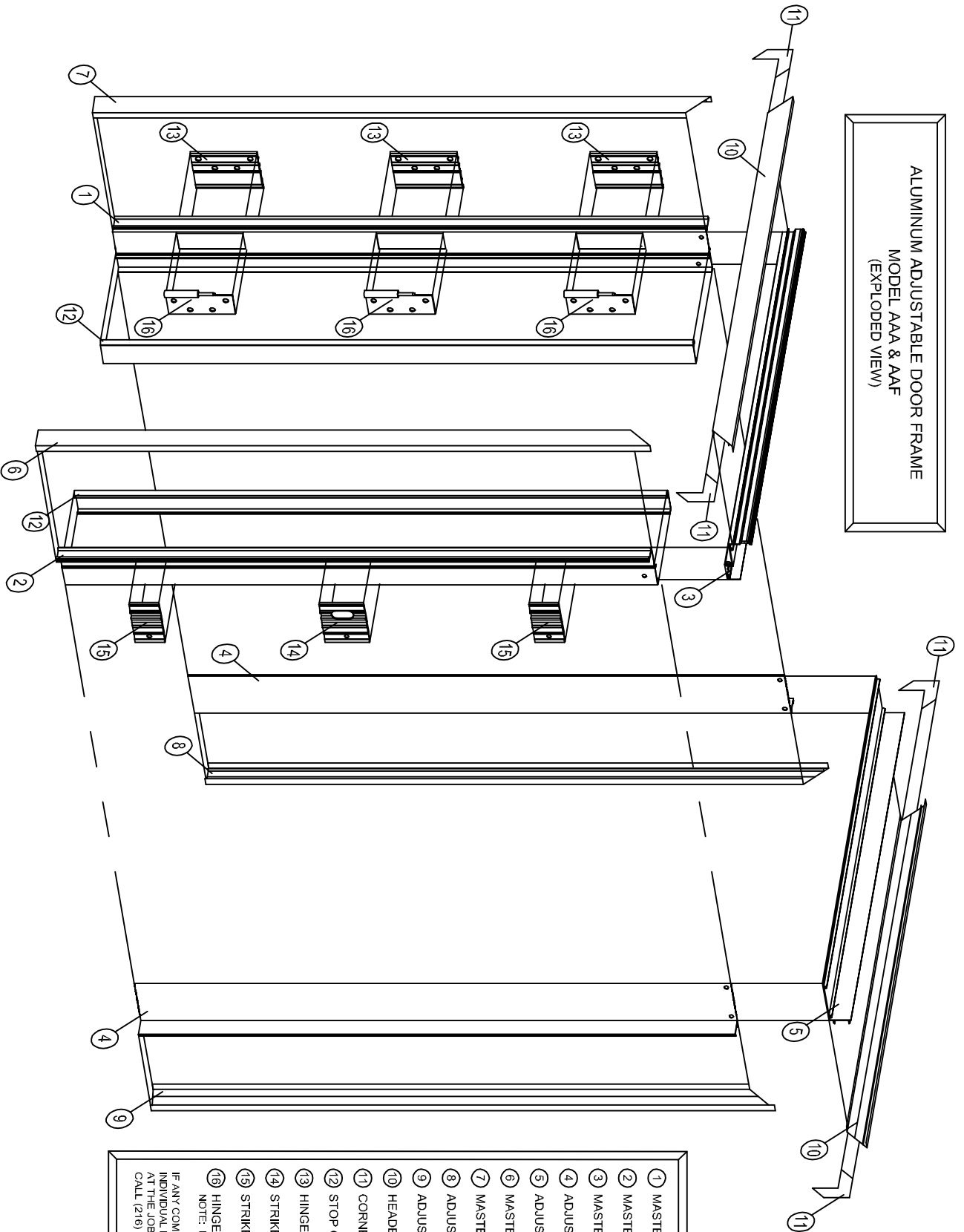


ALUMINUM ADJUSTABLE DOOR FRAME
 MODEL AAA & AAF
 (EXPLODED VIEW)



- ① MASTER HINGE JAMB
 - ② MASTER STRIKE JAMB
 - ③ MASTER HEADER
 - ④ ADJUSTER JAMB (2 REQ'D)
 - ⑤ ADJUSTER HEADER
 - ⑥ MASTER JAMB CASING ~ RH
 - ⑦ MASTER JAMB CASING ~ LH
 - ⑧ ADJUSTER JAMB CASING ~ RH
 - ⑨ ADJUSTER JAMB CASING ~ LH
 - ⑩ HEADER CASING (2 REQ'D)
 - ⑪ CORNER KEYS (4 REQ'D)
 - ⑫ STOP COVER WITH GASKET (2 REQ'D)
 - ⑬ HINGE REINFORCEMENT (3 REQ'D)
 - ⑭ STRIKE REINFORCEMENT (1 REQ'D)
 - ⑮ STRIKE JAMB REINFORCEMENT (2 REQ'D)
 - ⑯ HINGE-JAMB LEAF (3 REQ'D)
- NOTE: HINGES ARE LH OR RH
- IF ANY COMPONENTS OF THE DOOR FRAME ARE DAMAGED, INDIVIDUAL PARTS CAN BE ORDERED AND EASILY REPLACED AT THE JOBSITE. USE THIS CHART FOR REFERENCE AND CALL (216) 343-6821 FOR ASSISTANCE.