

# INSTALLATION INSTRUCTIONS FOR ALUMINUM ADJUSTABLE DOOR FRAME MODEL AAA AND AAF

Statements expressed in this technical bulletin are the recommendations for the application of Marlite's products as outlined and illustrated under normal conditions of installation. The recommendations provided in the bulletin represent our best judgment based on our experience with applications. Unless prior approval is obtained in writing from Marlite, any deviation from these recommended procedures shall be at the sole risk of the installers.

**NOTE: To insure correct alignment of Hinge & Strike reinforcements, install Hinges and Strike Plate PRIOR to installing door frame in wall!**

■ **IMPORTANT!** Read complete instructions carefully before you begin application.

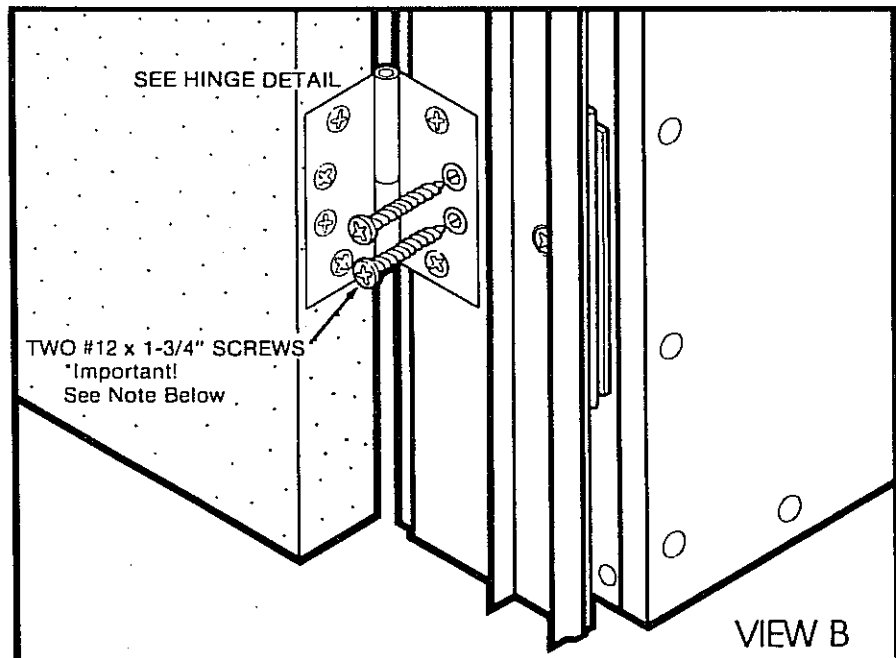
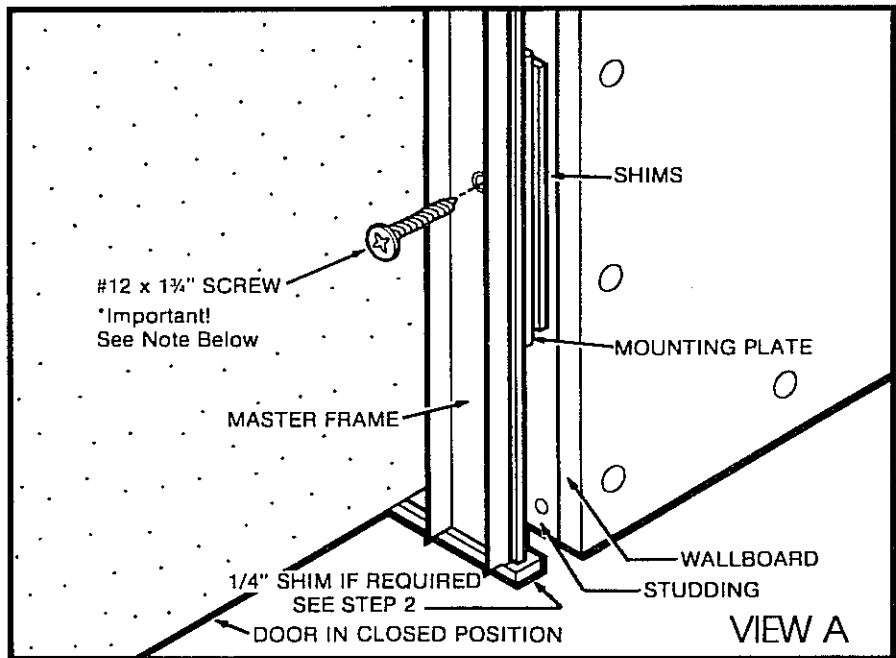
1. Remove secondary (adjustable) part of frame.  
2. Set door frame, with door hanging in the master frame, into rough opening. With the door in closed position, level the header maintaining 1/8" clearance between it and door. It may be necessary to shim the bottom of either the hinge or strike jamb to level the header. Plumb the hinge jamb, shimming behind each mounting plate if necessary. Install #12 x 1 3/4" flat head screw into each countersunk hole in each mounting plate. (1 per plate). **Be sure screw heads seat flush with or below the surface on the mounting plate.**

SEE VIEW A.

3. Shim and secure strike jamb in a similar fashion as in step 2 above, making sure to maintain margin between door and jamb as with header in step 2.

4. Open door and install (2) #12 x 1 3/4" flat head screws through each hinge in the jamb. SEE VIEW B.

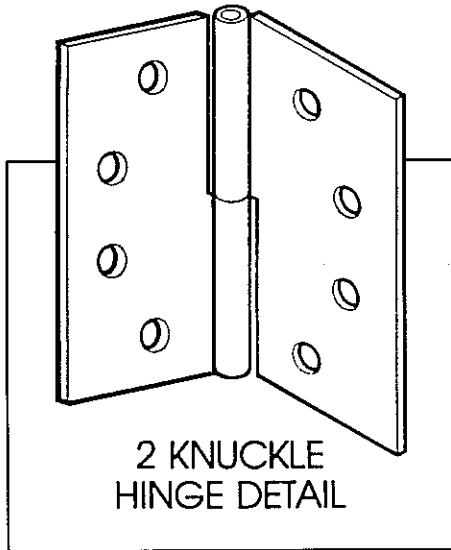
**\*NOTE: Rough opening - nominal door width + 1 1/2" minimum, 2 3/4" maximum; nominal door height + 3/4" minimum, 1 1/2" maximum.**



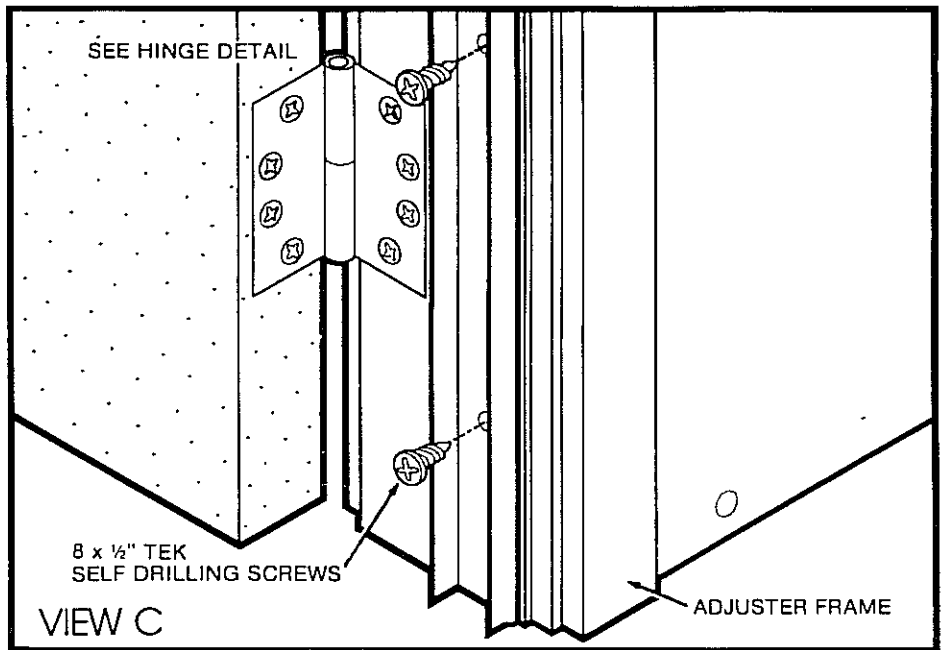
\*The hardware is packed with two different color screws. Be sure to use the color screws with the hinge that match the color of the hinge.

5. Slide secondary frame into place pushing it up snugly against the wall. While it is in this position, using a power screw driver, drive #8 x 1/2" Phillips Head Tek selfdrilling screws, enclosed, through the holes located in the master frame above each hinge preparation, fastening the master frame to the secondary frame. SEE VIEW C. If a power screw driver isn't available, drill a 3/32" pilot hole in the secondary frame using the pre-drilled holes in the master frame for locating. Then proceed to fasten the master and secondary frames together with the #8 x 1/2" Phillips Head Tek Screws.

6. Install snap-lock door stops to each jamb using a rubber mallet. The bottom of stop should be secured first, making sure the top is against the header. Gradually work upwards, gently tapping the stop into place.



Note: To remove a door frame, the door stops which conceal the fasteners may be removed in the following manner. (1) Insert a stiff blade putty knife between the stop and the frame at the bottom on the side of the stop which has the vinyl gasket. (2) Gently tap the putty knife into the joint, forcing the stop to move away from the



frame. (3) Slowly pry the stop farther away from the frame by pushing the knife handle away from the frame. (4) Remove the putty knife and re-insert several inches higher up the frame. (5) Continue repeating steps 1 thru 4 until the stop is removed. (6) Proceed to demount frame in reverse sequence using the steps 5, 4 & 2 for installation.

**Note:** Door frames are reversible, by disassembly and reassembly of the master frame. Begin by removing the screws in the top of the header casing. Then remove the screws fastening the jambs to the header. Pull the jambs away from the header, pulling in the same direction as the header runs. Slide the casing off the jambs and put the casing back on the opposite jamb from which it was removed. Turn jambs end for end and reassemble in reverse sequence of disassembly.

Since 2 knuckle hinges are handed, they will need to be replaced. The 2 knuckle hinges may be shipped within 24 hours by calling Marlite at (330) 343-6621. If you choose, the hinges may be replaced by standard 4 1/2" H square corner template hinges.

The door which is prehung in the frame is also reversible if there is not lite or louver in it. Simply turn it end for end & replace the hinges with the correct ones and rehang in the frame.

 **Marlite**

Phone (330) 343-6621  
 FAX (330) 343-7296  
 website: [www.marlite.com](http://www.marlite.com)  
 e-mail: [info@marlite.com](mailto:info@marlite.com)

Printed in U.S.A.