

# Installation Instructions

## Induro™ HPL Faced FRP

**Important - Read complete instructions carefully before you begin installation.** If you have any questions regarding installation, contact Marlite at (800) 377-1221.

**Adhesive type and application method are different when compared to installing standard FRP panels.**

Pg 2	Disclaimer
Pg 3	Tips for Installation
Pg 4	General Notes
Pg 5	Panel Layout
Pg 6-8	Step by Step Instructions

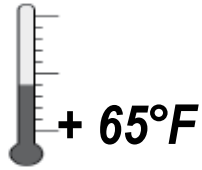


## **Installing Induro HPL Faced FRP Panels & Trim**

Statements expressed in this technical bulletin are the manufacturer's recommendation for the application and installation of these Marlite products, under normal conditions of installation. These recommendations represent Marlite's best judgement based on prior experience. Unless prior approval is obtained in writing from Marlite, deviations from these recommendations shall be at the risk of the installer. Carefully inspect all materials upon receipt and before installation. If defects are found or materials are questionable, it is the purchaser's and/or installer's responsibility to notify the Marlite Service Center @ (800) 377-1221. Failure to follow these recommendations shall be at the sole risk of the purchaser and/or installer.

## **Important - Read before installation!**

Adhesive type and application method are different when compared to installing standard FRP panels. For a successful installation, panel application must adhere to the following requirements:



**Walls, panels and adhesives must be 65°F or higher.**



**Adhesive trowel must have the correct notches.**

(Correct trowels are available for purchase from Marlite. 3/16" x 1/4" x 1/2" c/c V-notch).

Always start glue application with a clean trowel to avoid dried glue build-up.

**Marlite brand C-551 FRP Adhesive can only be applied over unfinished and untreated plywood or unfinished drywall.**

**For other surfaces and low-VOC needs, use Marlite C-195 Construction Adhesive.\***

- Keep troweled adhesive back 1" from edges and add a bead of C-109 cartridge adhesive to perimeter as shown.
- Use Marlite Brand C-109 Cartridge Adhesive on the back of all trim flanges.

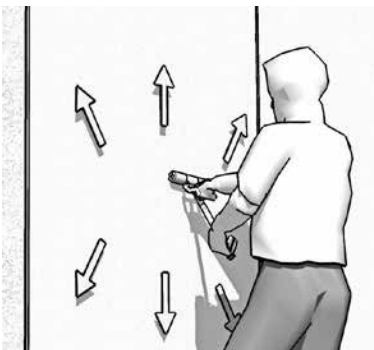
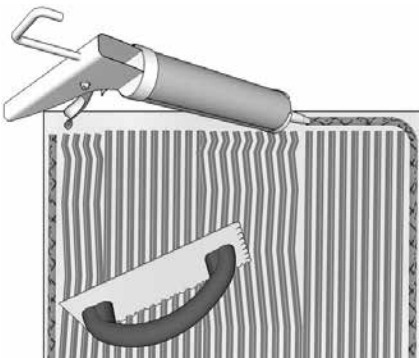
*\*Alternatively, you may use Titebond Advanced Polymer Adhesive.*

After applying the adhesive, push the panels firmly against the wall in all directions. Draw a line to mark the edge of your panel, and draw the panel back about 1/16" from the line. This will make installation of division molding easier.

Division molding can be held in place with staples or pin tacked with a #4 nail and hammer.

**Panels must be applied within the adhesive's specified open time.** Usually less than 10 minutes. Refer to adhesive container label.

**After the panel is applied, slip the division molding into place, then roll firmly over the entire surface using a hand held roller.** Pay special attention to thoroughly rolling the panels at edges and seams. Rolling multiple times may be necessary to ensure full contact.



# **Installing Induro HPL Faced FRP Panels & Trim**

## ***General Notes***

**Important - Read the complete instructions carefully before you begin installation.**

If you have questions regarding installation, contact Marlite at (800) 377-1221.

**Inspection** - Upon receipt of materials, open and inspect panels and trim. Due to texture and manufacturing techniques, minor variations in color and pattern may occur. For questions regarding inspection, contact Marlite at (800) 377-1221.

**Use only Marlite's recommended adhesives.**

Marlite brand C-551 FRP Adhesive can only be applied over unfinished and untreated plywood or unfinished drywall. For other surfaces and low-VOC needs, use Titebond Advanced Polymer Panel Adhesive.

**Extra Materials Required.**

- Marlite Silicone Sealant
- Isopropyl Alcohol

**Tools Recommended** - Including, but not limited to: rubber seam roller (available through Marlite), scissors, power saw with fine carbide tipped blade, jig saw, drill & bits, caulk gun, measuring tape, pencil, straight edge, plumb line/level, work table.

**Caution:** *Always wear eye protection when using power tools.  
Use a dust filter mask when cutting or drilling Induro FRP panels.*

**Clean-up** - Use a damp cloth to remove dust. Use mineral spirits to remove solvent adhesive and/or silicone. Never use abrasive cleaners, cleaners that leave a residue or aggressive solvents (lacquer thinner, acetone, etc.). Provide proper ventilation when using cleaners.

**Condition Panels** - HPL Faced FRP Panels must acclimate to final use conditions before installation. After inspection, store in small stacks in the installation area for 48 hours before installation.

**Important Notice Regarding High Humidity Areas:**

*For applications requiring silicone adhesives, Marlite recommends the use of Marlite's MS250 White or MS251 Clear Silicone Sealant.*

# Installing Induro HPL Faced FRP Panels & Trim

## *Panel Layout*

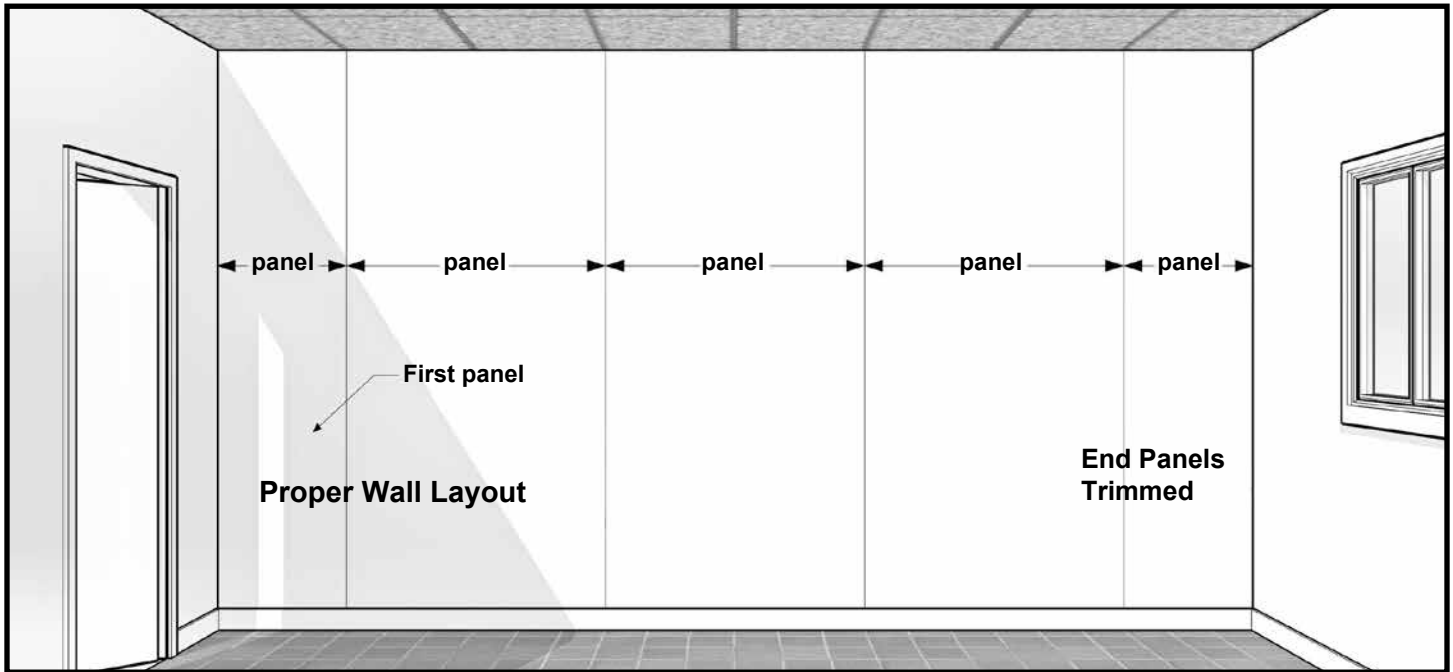


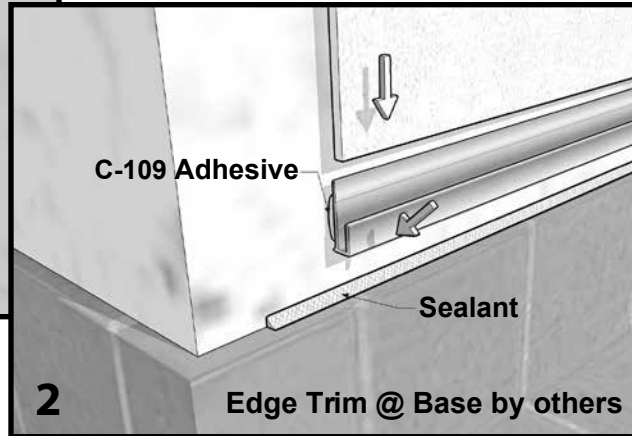
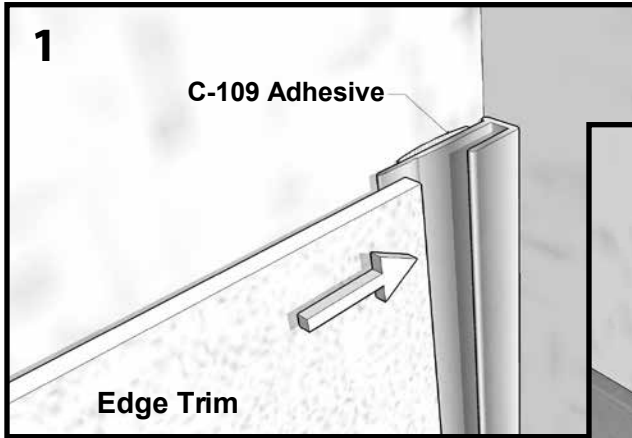
Fig. 1

1 To center panels, mark a center line for the area to be covered and measure to the corners to determine the starting panel width. (Fig.1)

2 Do not nail through panels. Install with Marlite's recommended adhesives only. Marlite brand C-551 FRP Adhesive can only be applied over unfinished and untreated plywood or unfinished drywall. For other surfaces and low-VOC needs, use Titebond Advanced Polymer Panel Adhesive. Use coverage as shown on following page. Use solvent proof nitrile gloves when spreading adhesive.

3 Trim should surround all edges of every panel, including corners.

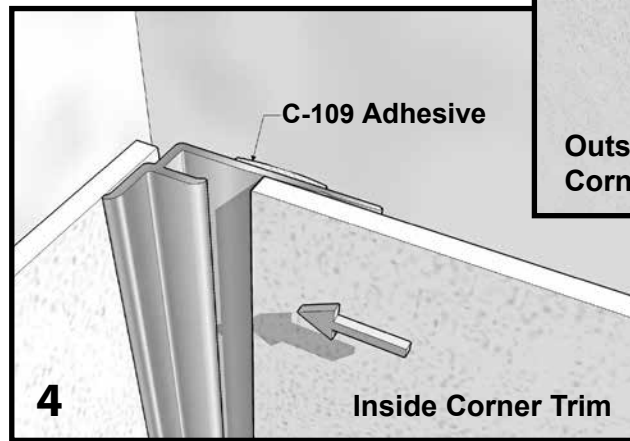
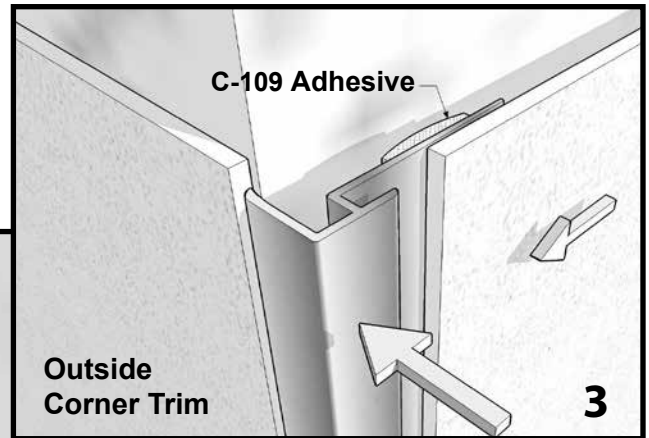
# Installing Induro HPL Faced FRP Panels & Trim



**Important:**

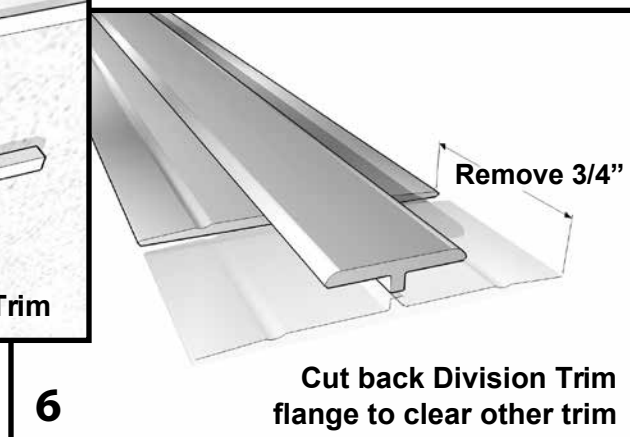
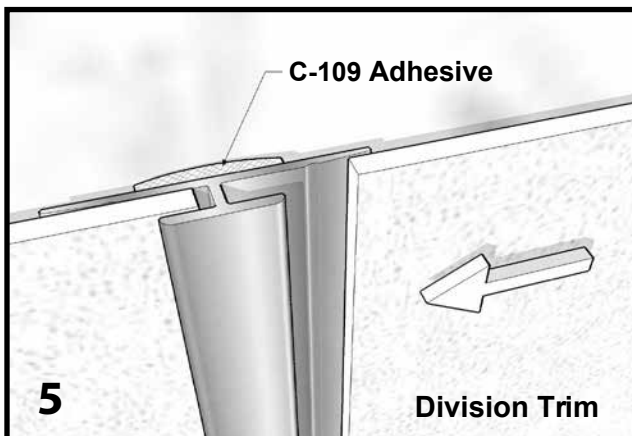
- Moldings should surround all panel edges.
- **Do Not Jam Panels Tight Into Trim.**  
Allow room for panel expansion.
- Apply a 1/8" bead of C109 Cartridge Adhesive on the back of the trim flange along the full length of all trim.

Note: It may be helpful to place staples into the trim flange to speed installation.

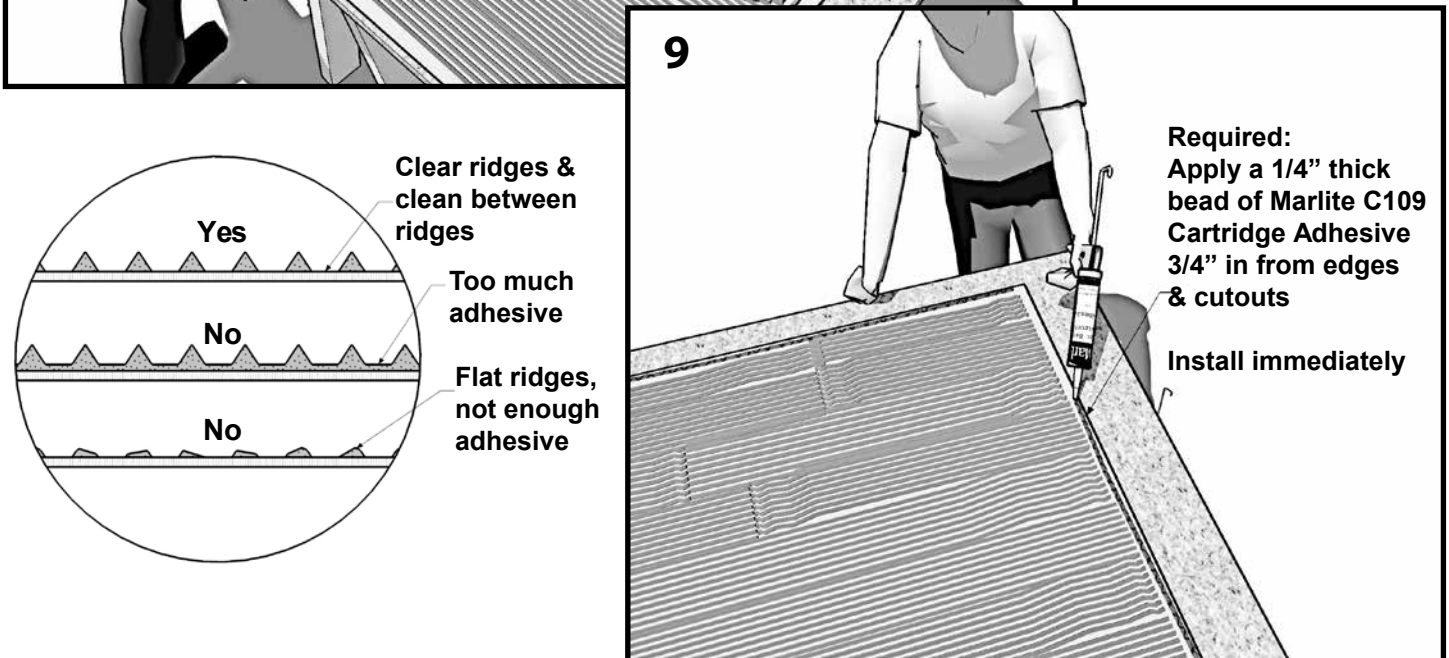
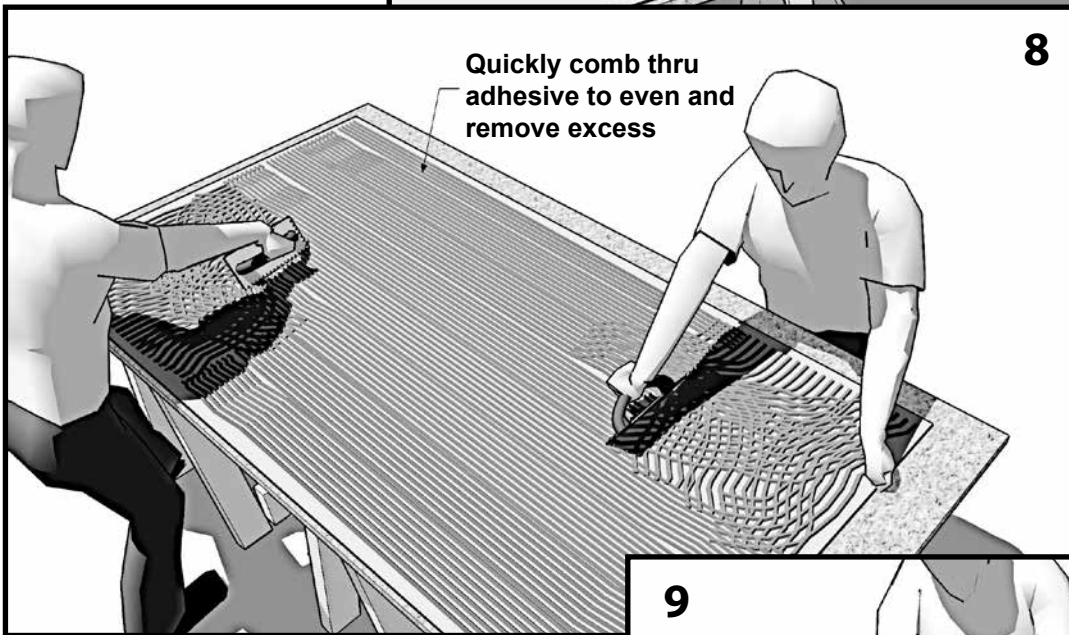
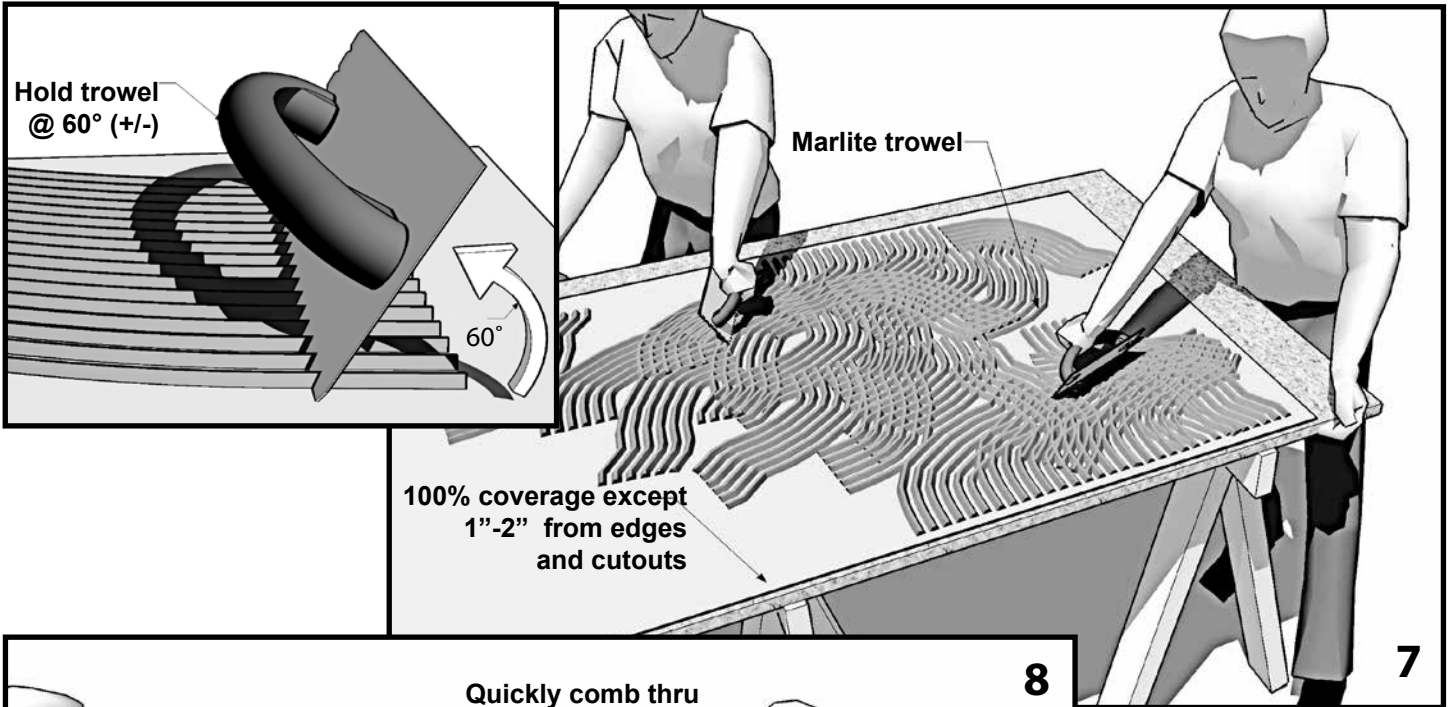


**Important:**

At Inside & Outside corners, install panels to corner before adding trim and continuing to next wall.



# Installing Induro HPL Faced FRP Panels & Trim



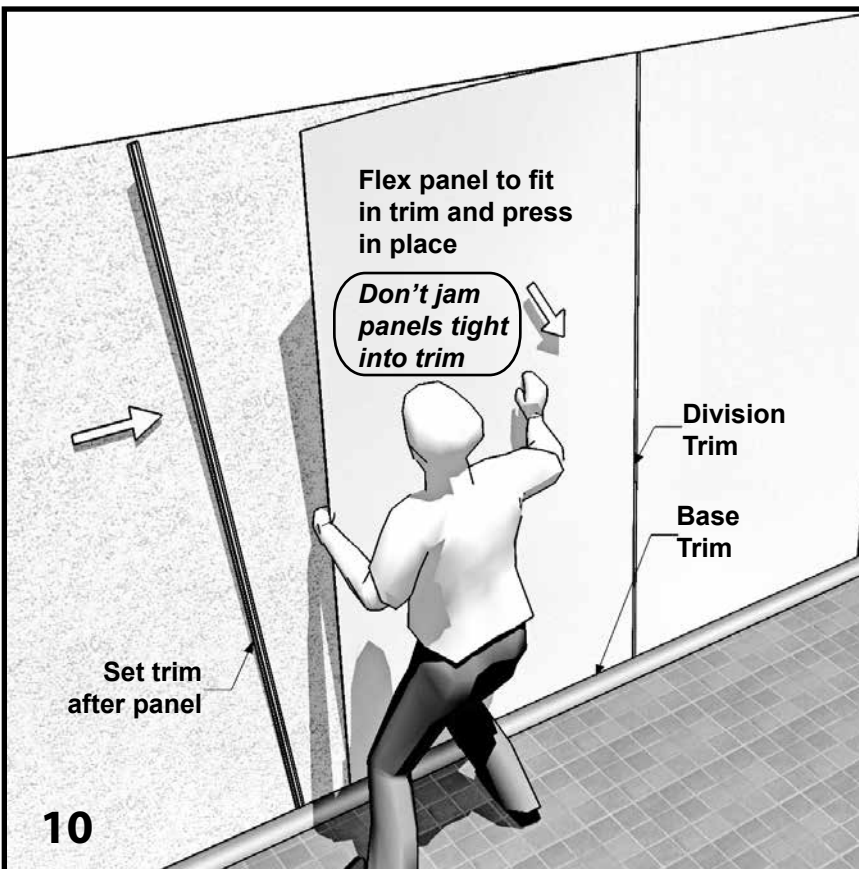
# Installing Induro HPL Faced FRP Panels & Trim

Check for any cutting or trimming required to get panels ready for installation. Cut as required.

Always dry fit panels before adding adhesive.

Apply adhesive and install panels. Two people are required to install large panels. Don't jam panels tight into trim, allow room for expansion.

After panel is in place, press and/or slap the surface to make contact. **A laminate roller is required to adequately press the panels for full contact. Pay extra attention to properly rolling along edges.**



Use a pencil to mark the edge of your panel. From this line, pull the panel back about 1/16" to allow for expansion.

You can staple your trim to help ease installation, or pin tack with #4 nails and a hammer.

