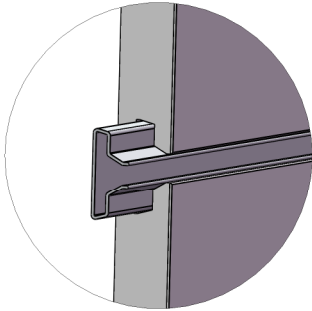


# PRODUCT SUMMARY

# SLÄTWÄLL

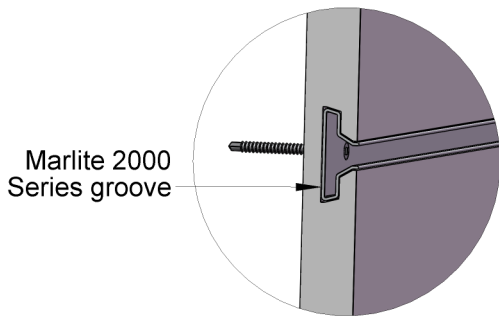
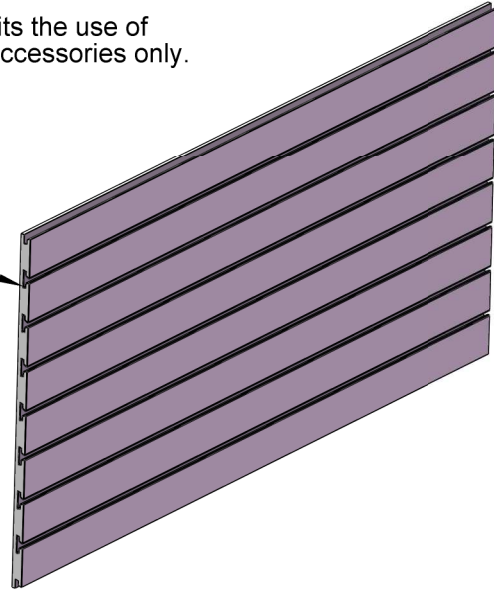
## Insert 2101



Insert installed in field, as needed, prior to panel installation

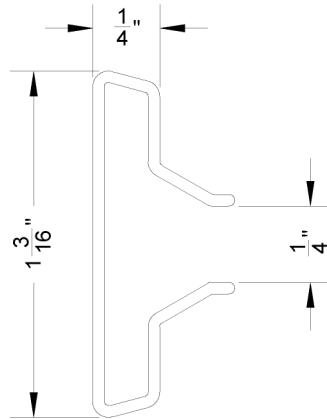
Note: This insert permits the use of typical metal slatwall accessories only.

Marlite 2000 Series groove



Screw through insert

Profile Detail:



### Key Installation Notes:

- Inserts are to be field installed into panels prior to panels being fastened to walls.
- Flex panels for easier installation of inserts.
- Pre-drill inserts using a  $\text{Ø}1/8$ " bit.
- Fasten panels using #6 or #8 self-sinking flat head (trim head) screws.
- Inserts can accept only metal accessories; no acrylic or wire accessories.

Weight Capacity: 6" off face evenly distributed  
Non-inserted grooves - 30 lbs.  
Inserted grooves - 75 lbs.