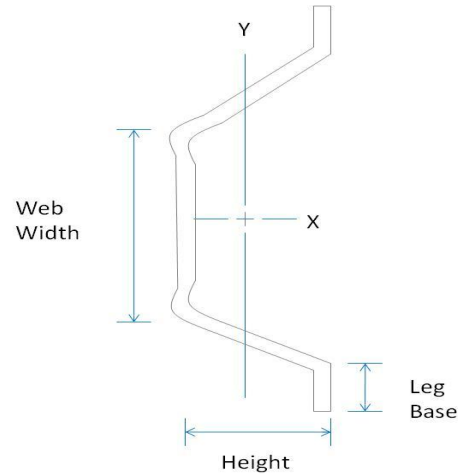


Member Designator **087F125-18**

Coating **G40EQ**

Physical Properties

Design Thickness **0.0188 in**
 Mil **18 mil**
 Gauge **25 Gauge**
 Web Width **1.25 in**
 Leg Base **0.50 in**
 Height **0.875 in**
 Yield Strength **33 ksi**



Gross Properties

| Gross Properties | | | | |
|----------------------------|--------------------------------------|------------------------|--------------------------------------|------------------------|
| Area (in ²) | I _x (in ⁴) | R _x (in) | I _y (in ⁴) | R _y (in) |
| 0.070 | 0.009 | 0.356 | 0.035 | 0.710 |

Effective Properties

| Effective Properties ³ (33ksi) | | |
|---|--------------------------------------|--------------------------|
| I _x ² (in ⁴) | S _x (in ²) | M _a (in-k) |
| 0.0086 | 0.0160 | 26.41 |

Allowable Ceiling Spans

| Section | Ceiling Span | F _y (ksi) | Spans | 4 psf Channel Spacing (in) o.c. | | | 6 psf Channel Spacing (in) o.c. | | | 13 psf Channel Spacing (in) o.c. | | |
|------------|--------------|----------------------|----------|---------------------------------|--------|-------|---------------------------------|-------|--------|----------------------------------|-------|--------|
| | | | | 12 | 16 | 24 | 12 | 16 | 24 | 12 | 16 | 24 |
| 087F125-18 | L/240 | 33 | Single | 5' 2" | 4' 9" | 4' 1" | 4' 6" | 4' 1" | 3' 7" | 3' 6" | 3' 2" | 2' 9" |
| | | | Multiple | 6' 5" | 5' 10" | 5' 1" | 5' 7" | 5' 1" | 4' 2" | 4' 0" | 3' 6" | 2' 10" |
| 087F125-18 | L/360 | 33 | Single | 4' 6" | 4' 1" | 3' 7" | 4' 0" | 3' 7" | 3' 2" | 3' 1" | 2' 9" | 2' 5" |
| | | | Multiple | 5' 7" | 5' 1" | 4' 5" | 4' 11" | 4' 5" | 3' 11" | 3' 9" | 3' 5" | 2' 10" |

General Notes

- Physical properties and load tables have been calculated in conformance with the 2001 NASPEC for the Design of Cold-Formed Steel Structural Members, including the 2004 Supplement, and the IBC 2006, unless noted otherwise.
- Drywall framing members have a protective coating conforming to ASTM spec A 653/A 653M, G-40 min, or equivalent corrosion resistance.
- Reference ASTM specification A 1003/A 1003 M table 1 for the universe of allowable coatings for light gauge steel framing.
- Drywall framing members are marked with product information per the requirements of ASTM C 645 section 14.
- All delivered material must be kept dry, preferably by being stored inside a building under a roof. If it is necessary to store material outside, it must be stacked off the ground, properly supported on a level platform, and fully protected from the weather. Reference ASTM C 754 section 8 and ASTM C 1007 section 4.
- Drywall framing [nonstructural 25 gauge, 22 gauge and 20 gauge] is not permitted in load bearing (i.e. axial load greater than 200 lbs.) or exterior applications (i.e. transverse load greater than 10 PSF). Reference ASTM C 645 section 3.2.2.

LEED Green Building Credits

MR Credit 2: Construction Waste Management – MBA steel framing is 100% recyclable.
 MR Credit 4: Recycled Content – MBA steel framing is formed from no less than 25.5% post-consumer and 6.8% pre-consumer recycled content.
 MR Credit 5: Regional Materials – MBA has manufacturing facilities in multiple states.